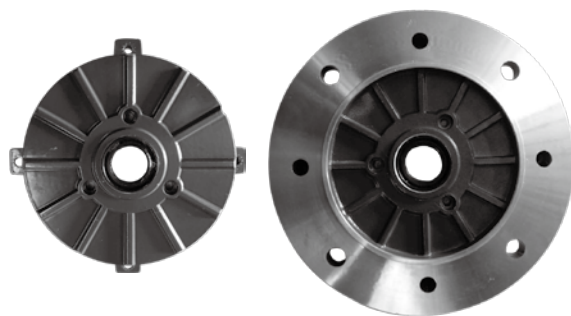


Electronically Commutated Motors

As a professional electric motors manufacturer who cares about environment and energy saving, one of our most important goals is to help our partners to reduce total life operation costs, increase profitability and make production more environmentally friendly.

TECHTOP EC (Electronically Commutated) motors are available in three frame sizes: EC 90#, EC 100#, EC 132# (will develop more frame sizes as per market request), which have mounting dimensions according to the IEC norm, and also possible to have customized design as per the customer requests. Maximum output is 22kW and torque range is from 3.2Nm to 70Nm, can be used in the following applications:

- Various of air conditionings and ventilation appliances.
- Pumps.
- Air compressors.
- Other industrial machines.



TECHOP EC motor's main advantages:

- Extremely high efficiency, average value can be over IE5 norms.
- Very high efficiency in wide speed up to 3600rpm and power range.
- Compact and light design with high uniformity in appearance design with other TECHTOP products.
- Mounting dimensions according to the IEC norm, easy to switch from old components to TECHTOP EC motors.
- Various and flexible mounting types suitable for different applications.
- Customized design is possible for special applications.
- Most matched drivers (controllers) based on the same development, one-stop solution for economy.
- Match almost all brands of commercial drivers (controllers).

HITACHI
Inspire the Next

VAGON
DRIVEN BY DRIVES

YASKAWA

mitsubishi
ELECTRIC

Danfoss

IEC MOTOR

FIRE PUMP MOTOR

GOST MOTOR

NEMA MOTOR

DC MOTOR

EC MOTOR

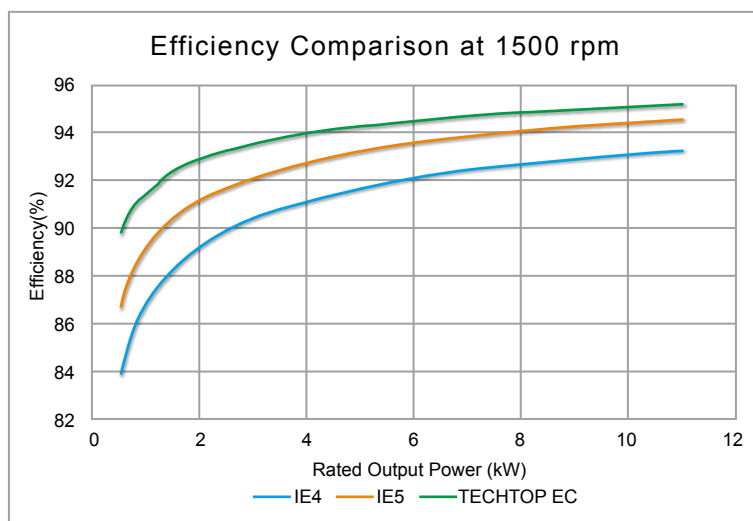
Model list

Model	Frame size	Rated torque (Nm)	Output @1500rpm (kW)	Output @3000rpm (kW)	Maximum speed (rpm)	B14 flange (N / M / P)	Shaft end (mm)
T90EC03X36	90	3.2	0.55	1.1	3600	95 / 115 / 140 opt.: 80 / 100 / 120	24×50 opt.: 19 × 40
T90EC05X36		4.8	0.75	1.5	3600		
T90EC07X36		7	1.1	2.2	3600		
T100EC10X36	100	9.5	1.5	3	3600	110 / 130 / 160	28×60
T100EC14X36		14	2.2	4	3600		
T100EC19X30		19.1	3	5.5	3000		
T132EC26X30	132	25.5	4	7.5	3000	130 / 165 / 200	38×80
T132EC35X30		35	5.5	11	3000		
T132EC48X30		47.7	7.5	15	3000		
T132EC59X30		58.9	9.2	18.5	3000		
T132EC70X30		70	11	22	3000		

Model description (example: T100EC10X36)

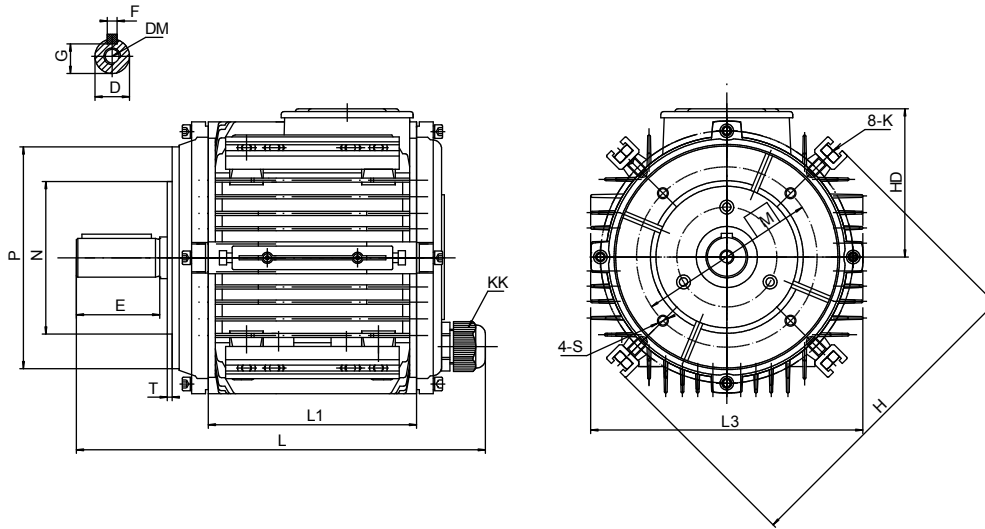
Character	Description
"T"	Company name: TECHTOP
"100"	Frame size: 100#
"EC"	Electrically Commutated Motors
"10"	Maximum torque: 9.5 Nm = 10 Nm
"X"	Cooling method:
	"G" = General purposes, with fan and fan hood.
	"V" = Ventilation applications, without fan and fan hood.
"36"	Maximum speed: 3600 rpm

Efficiency comparison



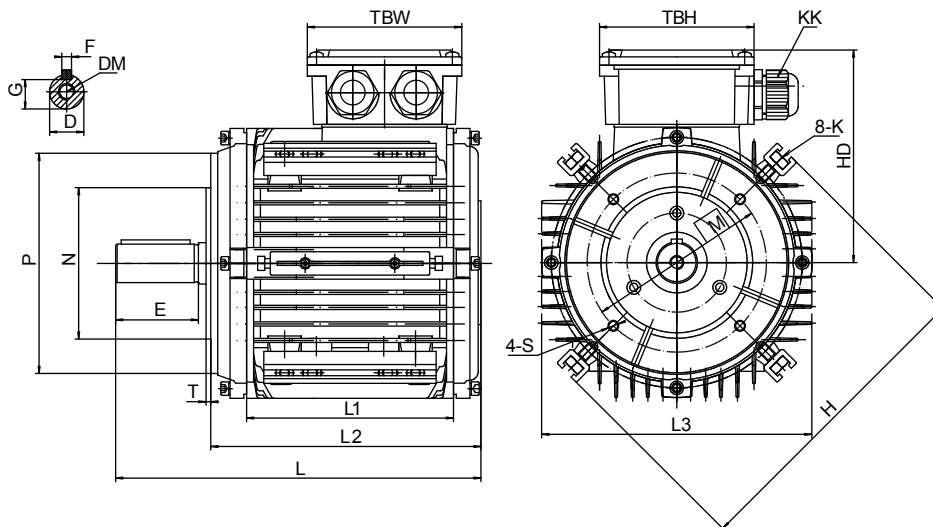
I Install models and dimensions

Slide-rail mounting / Pad mounting, without terminal box.



Frame size	D	E	F	G	DM	N	M	P	T	S	K	KK	HD	L	TBW	TBH	L1	L3	DE bearing	NDE bearing	H
90	24	50	8	20	M8	95	115	140	3	M8	M6	1×M20	98	267	105	105	140	174	6205	6204	202
90 (opt.)	19	40	6	15.5	M6	80	100	120	3	M6	M6	1×M20	98	257	105	105	140	174	6205	6204	202
100	28	60	8	24	M10	110	130	160	3.5	M8	M8	2×M20	108	291	112	112	150	195	6206	6205	228
132	38	80	10	33	M12	130	165	200	3.5	M10	M8	2×M25	140	361	112	112	182	258	6308	6208	301

Slide-rail mounting / Pad mounting, terminal box on top.



Frame size	D	E	F	G	DM	N	M	P	T	S	K	KK	HD	L	TBW	TBH	L1	L2	L3	DE bearing	NDE bearing	H
90	24	50	8	20	M8	95	115	120	3	M8	M6	1×M20	142	241	105	105	140	182	174	6205	6204	202
90 (opt.)	19	40	6	15.5	M6	80	100	140	3	M6	M6	1×M20	142	231	105	105	140	182	174	6205	6204	202
100	28	60	8	24	M10	110	130	160	3.5	M8	M8	2×M20	155	265	112	112	150	196	195	6206	6205	228
132	38	80	10	33	M12	130	165	200	3.5	M10	M8	2×M25	187	332	112	112	182	243	258	6308	3208	301

IEC MOTOR

FIRE PUMP MOTOR

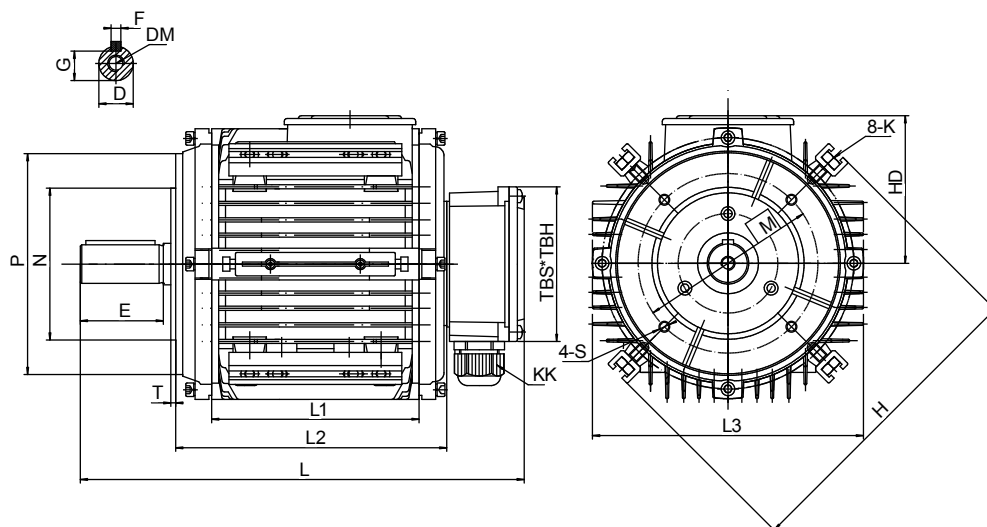
GOST MOTOR

NEMA MOTOR

DC MOTOR

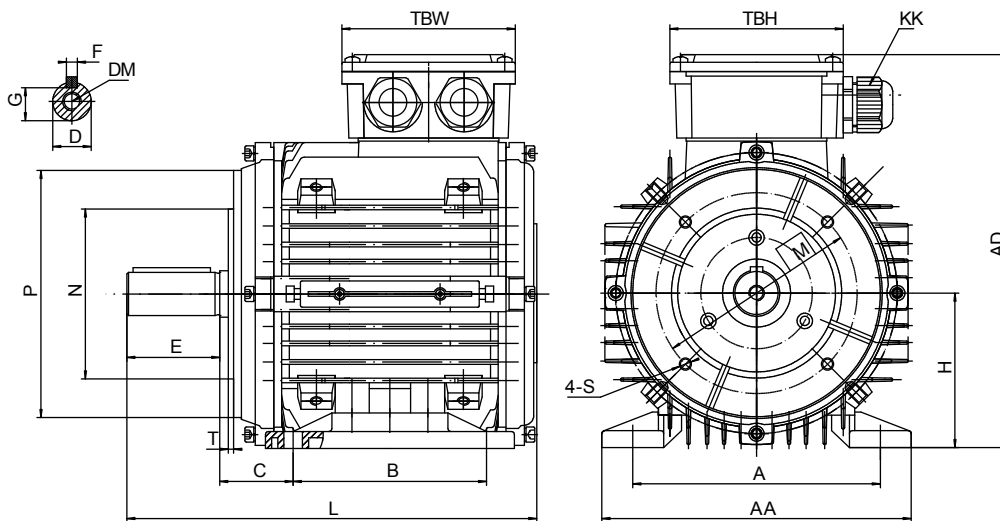
EC MOTOR

Slide-rail mounting / Pad mounting, terminal box on NDE.



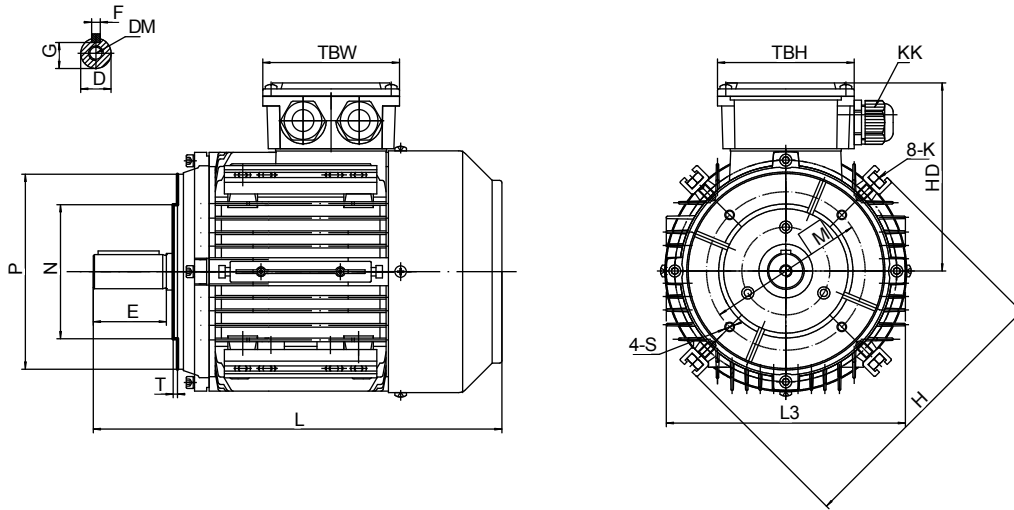
Frame size	D	E	F	G	DM	N	M	P	T	S	K	KK	HD	L	TBW	TBH	L1	L3	DE bearing	NDE bearing	H
90	24	50	8	20	M8	95	115	140	3	M8	M6	1×M20	98	267	105	105	140	174	6205	6204	202
90 (opt.)	19	40	6	15.5	M6	80	100	120	3	M6	M6	1×M20	98	257	105	105	140	174	6205	6204	202
100	28	60	8	24	M10	110	130	160	3.5	M8	M8	2×M20	108	291	112	112	150	195	6206	6205	228
132	38	80	10	33	M12	130	165	200	3.5	M10	M8	2×M25	140	361	112	112	182	258	6308	6208	301

Feet-mounting, terminal box on top.



Frame size	D	E	F	G	DM	N	M	P	T	S	K	KK	HD	L	TBW	TBH	L1	L2	L3	DE bearing	NDE bearing	H
90	24	50	8	20	M8	95	115	120	3	M8	M6	1×M20	142	241	105	105	140	182	174	6205	6204	202
90 (opt.)	19	40	6	15.5	M6	80	100	140	3	M6	M6	1×M20	142	231	105	105	140	182	174	6205	6204	202
100	28	60	8	24	M10	110	130	160	3.5	M8	M8	2×M20	155	265	112	112	150	196	195	6206	6205	228
132	38	80	10	33	M12	130	165	200	3.5	M10	M8	2×M25	187	332	112	112	182	243	258	6308	3208	301

Feet-mounting, terminal box on top, with fan cooling.



Frame size	D	E	F	G	DM	N	M	P	T	S	K	KK	HD	L	TBW	TBH	L3	DE bearing	NDE bearing	H
90	24	50	8	20	M8	95	115	140	3	M8	M6	1×M20	142	312	105	105	174	6205	6204	202
90 (opt.)	19	40	6	15.5	M6	80	100	120	3	M6	M6	1×M20	142	302	105	105	174	6205	6204	202
100	28	60	8	24	M10	110	130	160	3.5	M8	M8	2×M20	155	336	112	112	195	6206	6205	228
132	38	80	10	33	M12	130	165	200	3.5	M10	M8	2×M25	187	411	112	112	258	6308	3208	301

Performance data (T90EC03X36)

Speed (rpm)	Torque (Nm)	Output (W)	Voltage (V)	Current (A)	Efficiency (%)
600	0.9	55	111	0.4	82.7
600	1.8	110	113	0.6	87.6
600	2.6	165	115	0.9	88
600	3.5	220	118	1.2	87.2
600	4.4	275	120	1.4	85.8
900	0.9	82	163	0.4	80.4
900	1.8	165	165	0.6	87.4
900	2.6	247	167	0.9	89.2
900	3.5	330	170	1.2	88.8
900	4.4	412	171	1.5	88.4
1200	0.9	110	216	0.4	79
1200	1.8	220	218	0.6	86.9
1200	2.6	330	220	0.9	89
1200	3.5	440	221	1.2	89.5
1200	4.4	550	226	1.7	89.1
1500	0.9	137	268	0.4	77.8
1500	1.8	275	270	0.6	86.2
1500	2.6	412	272	0.9	88.9
1500	3.5	550	273	1.2	89.8
1500	4.4	687	278	1.8	89.9
1800	0.9	165	322	0.4	75.5
1800	1.8	330	323	0.6	84.8
1800	2.6	495	324	0.9	88.5
1800	3.5	659	325	1.2	89.7
1800	4.4	824	325	1.5	90.1
2100	0.9	192	194	0.7	70
2100	1.8	385	195	2.2	82

Speed (rpm)	Torque (Nm)	Output (W)	Voltage (V)	Current (A)	Efficiency (%)
2100	2.6	577	195	3.1	86.3
2100	3.5	769	196	4	87.9
2100	4.4	962	197	5	88.8
2400	0.9	220	219	0.8	69.4
2400	1.8	440	220	1.3	81.5
2400	2.6	659	221	1.8	86
2400	3.5	879	221	2.4	87.9
2400	4.4	1099	221	2.9	88.8
2700	0.9	247	245	0.8	69.1
2700	1.8	495	245	1.3	81.3
2700	2.6	742	246	1.8	85.8
2700	3.5	989	246	2.4	87.9
2700	4.4	1236	273	3	88.5
3000	0.9	275	270	0.8	68.7
3000	1.8	549	270	1.3	80.8
3000	2.6	824	270	1.9	85.6
3000	3.5	1099	270	2.4	87.7
3000	4.4	1374	270	3	88.6
3300	0.9	302	295	0.8	67.2
3300	1.8	604	295	1.4	79.8
3300	2.6	907	295	1.9	85
3300	3.5	1209	294	2.5	87.3
3300	4.4	1511	294	3	88.6
3600	0.9	330	320	0.9	66.7
3600	1.8	659	319	1.4	79.5
3600	2.6	989	319	1.9	84.7
3600	3.5	1319	318	2.5	87.2
3600	4.4	1649	317	3.1	88.2

IEC MOTOR
 FIRE PUMP MOTOR
 GOST MOTOR
 NEMA MOTOR
 DC MOTOR
 EC MOTOR

Performance data (T90EC05X36)

Speed (rpm)	Torque (Nm)	Output (W)	Voltage (V)	Current (A)	Efficiency (%)
600	1.2	75	101	0.6	84
600	2.4	151	103	1	88.6
600	3.6	226	105	1.4	89
600	4.8	301	107	1.9	88.2
600	6	377	109	2.4	86.9
900	1.2	113	149	0.6	82.1
900	2.4	226	151	1	88.6
900	3.6	339	153	1.4	90.2
900	4.8	452	155	1.9	89.8
900	6	565	156	2.4	89.4
1200	1.2	151	197	0.6	81.1
1200	2.4	301	199	1	88.3
1200	3.6	452	201	1.5	90.1
1200	4.8	603	202	1.9	90.5
1200	6	754	203	2.4	90.4
1500	1.2	188	246	0.6	80.3
1500	2.4	377	247	1	87.8
1500	3.6	565	248	1.5	90.2
1500	4.8	754	250	1.9	90.9
1500	6	942	250	2.4	91
1800	1.2	226	295	0.6	78.2
1800	2.4	452	296	1	86.6
1800	3.6	678	296	1.5	89.9
1800	4.8	904	297	1.9	90.9
1800	6	1130	297	2.4	91.1
2100	1.2	264	199	1	72.9
2100	2.4	528	200	3.1	83.9
2100	3.6	791	200	4.4	87.8
2100	4.8	1055	201	5.8	89.2
2100	6	1319	202	7.2	89.9
2400	1.2	301	225	1.1	72.5
2400	2.4	603	226	1.8	83.6
2400	3.6	904	226	2.6	87.6
2400	4.8	1206	227	3.4	89.2
2400	6	1507	227	4.2	89.9
2700	1.2	339	252	1.1	72.6
2700	2.4	678	252	1.8	83.6
2700	3.6	1017	252	2.6	87.6
2700	4.8	1356	252	3.4	89.3
2700	6	1696	252	4.3	90.1
3000	1.2	377	278	1.1	72.4
3000	2.4	754	278	1.9	83.3
3000	3.6	1130	277	2.7	87.5
3000	4.8	1507	277	3.5	89.3
3000	6	1884	277	4.3	90
3300	1.2	414	303	1.2	71
3300	2.4	829	303	1.9	82.5
3300	3.6	1243	303	2.7	87
3300	4.8	1658	302	3.5	89
3300	6	2072	301	4.4	90
3600	1.2	452	329	1.2	70.9
3600	2.4	904	328	1.9	82.4
3600	3.6	1356	327	2.8	86.9
3600	4.8	1809	326	3.6	88.9
3600	6	2261	325	4.4	89.7

Performance data (T90EC07X36)

Speed (rpm)	Torque (Nm)	Output (W)	Voltage (V)	Current (A)	Efficiency (%)
600	1.8	110	112	0.8	85.6
600	3.5	220	114	1.3	89.3
600	5.3	330	116	1.9	89.2
600	7	440	119	2.5	88.2
600	8.8	550	121	3.1	86.7
900	1.8	165	164	0.8	84.1
900	3.5	330	167	1.3	89.5
900	5.3	495	169	1.9	90.7
900	7	659	171	2.5	90.1
900	8.8	824	174	3.1	89.5
1200	1.8	220	217	0.8	83.6
1200	3.5	440	219	1.3	89.5
1200	5.3	659	222	1.9	90.9
1200	7	879	223	2.5	91
1200	8.8	1099	226	3.1	90.7
1500	1.8	275	271	0.7	83.2
1500	3.5	550	273	1.3	89.3
1500	5.3	824	274	1.9	91.2
1500	7	1099	276	2.5	91.6
1500	8.8	1374	278	3.2	91.5
1800	1.8	330	325	0.8	81.5
1800	3.5	659	326	1.4	88.3
1800	5.3	989	327	1.9	91
1800	7	1319	329	2.5	91.7
1800	8.8	1649	330	3.2	91.8
2100	1.8	385	219	1.3	76.3
2100	3.5	769	221	4	85.8
2100	5.3	1154	221	5.8	89.1
2100	7	1539	223	7.6	90.1
2100	8.8	1923	224	9.5	90.6
2400	1.8	440	248	1.4	76.3
2400	3.5	879	249	2.3	85.8
2400	5.3	1319	250	3.4	89.1
2400	7	1758	251	4.5	90.3
2400	8.8	2198	252	5.5	90.8
2700	1.8	495	277	1.4	76.7
2700	3.5	989	278	2.4	85.9
2700	5.3	1484	279	3.4	89.3
2700	7	1978	279	4.5	90.6
2700	8.8	2473	280	5.6	91.1
3000	1.8	550	306	1.4	76.8
3000	3.5	1099	306	2.4	85.8
3000	5.3	1648	306	3.5	89.3
3000	7	2198	306	4.5	90.6
3000	8.8	2748	307	5.7	91.1
3300	1.8	604	334	1.5	75.7
3300	3.5	1209	334	2.5	85.2
3300	5.3	1813	334	3.5	89
3300	7	2418	334	4.6	90.4
3300	8.8	3022	334	5.7	91.2
3600	1.8	659	362	1.5	75.8
3600	3.5	1319	361	2.5	85.3
3600	5.3	1978	361	3.6	89.1
3600	7	2638	361	4.6	90.6
3600	8.8	3297	361	5.8	91

P performance data (T100EC10X36)

Speed (rpm)	Torque (Nm)	Output (W)	Voltage (V)	Current (A)	Efficiency (%)
600	2.4	149	104	1.1	88
600	4.8	298	107	1.9	90.9
600	7.1	447	109	2.7	90.6
600	9.5	597	112	3.6	89.5
600	11.9	746	116	4.5	87.9
900	2.4	224	154	1	86.7
900	4.8	447	157	1.9	91.2
900	7.1	671	159	2.7	92
900	9.5	895	163	3.6	91.2
900	11.9	1119	166	4.5	90.6
1200	2.4	298	204	1	86.3
1200	4.8	597	206	1.9	91.3
1200	7.1	895	209	2.7	92.2
1200	9.5	1193	213	3.6	92.1
1200	11.9	1492	216	4.5	91.7
1500	2.4	373	254	1	86
1500	4.8	746	257	1.9	91.1
1500	7.1	1119	259	2.7	92.5
1500	9.5	1492	263	3.6	92.7
1500	11.9	1864	267	4.5	92.5
1800	2.4	447	305	1.1	84.4
1800	4.8	895	307	1.9	90.2
1800	7.1	1342	310	2.7	92.4
1800	9.5	1790	313	3.6	92.9
1800	11.9	2237	317	4.5	92.8
2100	2.4	522	193	2	79.2
2100	4.8	1044	195	6.1	87.8
2100	7.1	1566	197	8.7	90.5
2100	9.5	2088	199	11.5	91.3
2100	11.9	2610	202	14.4	91.7
2400	2.4	597	219	2	79.3
2400	4.8	1193	220	3.6	87.8
2400	7.1	1790	222	5.1	90.6
2400	9.5	2386	225	6.8	91.5
2400	11.9	2983	228	8.4	91.9
2700	2.4	671	244	2	79.8
2700	4.8	1342	246	3.6	88.1
2700	7.1	2013	248	5.2	90.8
2700	9.5	2685	250	6.8	91.8
2700	11.9	3356	253	8.5	92.1
3000	2.4	746	269	2.1	80.1
3000	4.8	1491	270	3.7	88.1
3000	7.1	2237	272	5.2	90.9
3000	9.5	2983	275	6.9	92
3000	11.9	3729	278	8.6	92.2
3300	2.4	820	294	2.1	79.1
3300	4.8	1641	295	3.7	87.6
3300	7.1	2461	297	5.3	90.7
3300	9.5	3281	299	7	91.8
3300	11.9	4102	302	8.7	92.4
3600	2.4	895	319	2.2	79.3
3600	4.8	1790	320	3.8	87.8
3600	7.1	2685	321	5.4	90.8
3600	9.5	3580	323	7	92
3600	11.9	4475	326	8.8	92.2

P performance data (T100EC14X36)

Speed (rpm)	Torque (Nm)	Output (kW)	Voltage (V)	Current (A)	Efficiency (%)
600	3.5	220	97	1.6	88.6
600	7	440	99	2.9	91.3
600	10.5	659	102	4.3	90.9
600	14	879	105	5.6	89.8
600	17.5	1099	108	7.1	88.3
900	3.5	330	144	1.6	87.4
900	7	659	146	2.9	91.6
900	10.5	989	149	4.3	92.4
900	14	1319	152	5.7	91.5
900	17.5	1649	155	7.1	90.9
1200	3.5	440	190	1.6	87.1
1200	7	879	192	2.9	91.8
1200	10.5	1319	195	4.3	92.6
1200	14	1758	199	5.7	92.5
1200	17.5	2198	202	7.1	92.1
1500	3.5	550	237	1.6	87.1
1500	7	1099	239	3	91.7
1500	10.5	1649	242	4.3	93
1500	14	2198	246	5.7	93.1
1500	17.5	2748	250	7.1	92.9
1800	3.5	659	284	1.7	85.6
1800	7	1319	286	3	90.9
1800	10.5	1978	289	4.3	93
1800	14	2638	293	5.7	93.3
1800	17.5	3297	296	7.2	93.2
2100	3.5	769	192	2.8	80.5
2100	7	1539	194	8.9	88.5
2100	10.5	2308	195	12.9	91.1
2100	14	3077	170	17	91.8
2100	17.5	3847	173	21.2	92
2400	3.5	879	217	2.9	80.7
2400	7	1758	219	5.2	88.7
2400	10.5	2638	221	7.5	91.2
2400	14	3517	224	10	92.1
2400	17.5	4396	227	12.4	92.3
2700	3.5	989	242	2.9	81.4
2700	7	1978	244	5.2	89.1
2700	10.5	2967	246	7.6	91.6
2700	14	3956	249	10	92.4
2700	17.5	4946	252	12.6	92.6
3000	3.5	1099	192	4.1	83.6
3000	7	2198	198	7.5	89.7
3000	10.5	3297	207	10.9	91.6
3000	14	4396	217	14.4	92
3000	17.5	5495	230	18	91.8
3300	3.5	1209	210	4.3	83
3300	7	2418	216	7.6	89.5
3300	10.5	3627	225	11	91.6
3300	14	4836	237	14.6	92.1
3300	17.5	6045	250	18.1	92.1
3600	3.5	1319	228	4.3	83.6
3600	7	2637	234	7.7	89.9
3600	10.5	3956	244	11.2	92
3600	14	5275	256	14.6	92.5
3600	17.5	6594	270	18.4	92.2

IEC MOTOR

FIRE PUMP MOTOR

GOST MOTOR

NEMA MOTOR

DC MOTOR

EC MOTOR

Performance data (T100EC19X30)

Speed (rpm)	Torque (Nm)	Output (kW)	Voltage (V)	Current (A)	Efficiency (%)
600	4.8	300	100	2.2	89
600	9.6	600	102	3.9	91.5
600	14.3	900	105	5.7	91
600	19.1	1199	108	7.5	89.9
600	23.9	1499	112	9.4	88.4
900	4.8	450	148	2.1	87.9
900	9.6	900	150	3.9	91.9
900	14.3	1349	153	5.6	92.6
900	19.1	1799	157	7.5	91.7
900	23.9	2249	160	9.4	91
1200	4.8	600	195	2.1	87.8
1200	9.6	1199	198	3.9	92.1
1200	14.3	1799	201	5.7	92.9
1200	19.1	2399	205	7.6	92.7
1200	23.9	2999	209	9.4	92.2
1500	4.8	750	243	2.1	87.9
1500	9.6	1499	246	3.9	92.1
1500	14.3	2249	249	5.7	93.3
1500	19.1	2999	254	7.6	93.4
1500	23.9	3748	258	9.5	93
1800	4.8	900	292	2.2	86.5
1800	9.6	1799	295	4	91.4
1800	14.3	2699	298	5.7	93.3
1800	19.1	3598	302	7.6	93.6
1800	23.9	4498	307	9.5	93.4
2100	4.8	1050	197	3.7	81.5
2100	9.6	2099	199	11.8	89.1
2100	14.3	3149	201	17	91.5
2100	19.1	4198	205	22.5	92.1
2100	23.9	5248	208	28.2	92.3
2400	4.8	1200	223	3.8	81.8
2400	9.6	2399	225	6.9	89.3
2400	14.3	3599	227	9.9	91.7
2400	19.1	4798	231	13.2	92.4
2400	23.9	5997	235	16.5	92.6
2700	4.8	1349	249	3.9	82.7
2700	9.6	2699	251	6.9	89.8
2700	14.3	4048	254	10	92
2700	19.1	5398	257	13.3	92.8
2700	23.9	6747	261	16.6	92.9
3000	4.8	1499	275	3.9	83.2
3000	9.6	2999	277	7.7	90.4
3000	14.3	4498	279	10.1	92.2
3000	19.1	5997	282	13.4	93
3000	23.9	7497	286	16.8	93.1
3300	4.8	1649	300	4	82.4
3300	9.6	3299	302	7.1	89.6
3300	14.3	4948	304	10.3	92.1
3300	19.1	6597	308	13.6	93
3300	23.9	8246	312	16.9	93.3
3600	4.8	1799	326	4.1	82.9
3600	9.6	3598	327	7.2	89.9
3600	14.3	5398	329	10.4	92.4
3600	19.1	7197	332	13.7	93.2
3600	23.9	8996	336	17.2	93.2

Performance data (T132EC26X30)

Speed (rpm)	Torque (Nm)	Output (W)	Voltage (V)	Current (A)	Efficiency (%)
600	6.4	400	96	3	90
600	12.8	801	100	5.4	92.5
600	19.1	1201	104	7.9	92.2
600	25.5	1601	109	10.3	91.3
600	31.9	2002	115	13	90
900	6.4	601	142	2.9	89
900	12.8	1201	146	5.4	92.8
900	19.1	1802	152	7.8	93.5
900	25.5	2402	159	10.4	92.7
900	31.9	3003	167	13	92.2
1200	6.4	801	189	2.9	88.9
1200	12.8	1601	193	5.4	93
1200	19.1	2402	200	7.9	93.7
1200	25.5	3203	209	10.5	93.6
1200	31.9	4004	219	13	93.2
1500	6.4	1001	235	2.9	89.1
1500	12.8	2002	241	5.4	93
1500	19.1	3003	248	7.9	94.1
1500	25.5	4004	259	10.5	94.2
1500	31.9	5004	271	13.1	93.9
1800	6.4	1201	282	3	87.9
1800	12.8	2402	288	5.5	92.3
1800	19.1	3603	297	7.9	94.1
1800	25.5	4804	309	10.5	94.3
1800	31.9	6005	322	13.1	94.2
2100	6.4	1401	191	5.1	82.8
2100	12.8	2803	195	16.2	90
2100	19.1	4204	201	23.4	92.3
2100	25.5	5605	209	31.1	92.8
2100	31.9	7006	219	39	93.1
2400	6.4	1601	216	5.2	83.3
2400	12.8	3203	220	9.5	90.3
2400	19.1	4804	227	13.7	92.5
2400	25.5	6405	236	18.3	93.1
2400	31.9	8007	247	22.7	93.3
2700	6.4	1802	241	5.3	84.2
2700	12.8	3603	246	9.5	90.7
2700	19.1	5405	253	13.8	92.8
2700	25.5	7206	263	18.3	93.5
2700	31.9	9008	275	23	93.7
3000	6.4	2002	266	5.3	84.9
3000	12.8	4003	271	9.6	91
3000	19.1	6005	279	14	93.1
3000	25.5	8007	289	18.5	93.8
3000	31.9	10009	302	23.2	93.8
3300	6.4	2202	290	5.5	84.2
3300	12.8	4404	296	9.8	90.7
3300	19.1	6606	304	14.2	93
3300	25.5	8808	316	18.8	93.7
3300	31.9	11010	329	23.4	94
3600	6.4	2402	315	5.5	84.8
3600	12.8	4804	321	9.9	91.1
3600	19.1	7206	329	14.3	93.3
3600	25.5	9609	341	18.8	94
3600	31.9	12011	355	23.7	93.9

Performance data (T132EC35X30)

Speed (rpm)	Torque (Nm)	Output (W)	Voltage (V)	Current (A)	Efficiency (%)
600	8.8	550	100	4	90.3
600	17.5	1099	103	7.1	92.7
600	26.3	1649	108	10.5	92.4
600	35	2198	113	13.7	91.6
600	43.8	2748	120	17.3	90.3
900	8.8	824	147	3.9	89.3
900	17.5	1649	152	7.1	93
900	26.3	2473	158	10.4	93.7
900	35	3297	166	13.9	92.9
900	43.8	4121	174	17.3	92.4
1200	8.8	1099	195	3.9	89.4
1200	17.5	2198	200	7.1	93.3
1200	26.3	3297	208	10.5	93.9
1200	35	4396	217	13.9	93.8
1200	43.8	5495	228	17.2	93.4
1500	8.8	1374	243	3.8	89.6
1500	17.5	2748	249	7.2	93.3
1500	26.3	4121	258	10.5	94.3
1500	35	5495	269	13.9	94.4
1500	43.8	6869	283	17.4	94.1
1800	8.8	1649	292	4	88.5
1800	17.5	3297	298	7.2	92.7
1800	26.3	4946	308	10.5	94.4
1800	35	6594	321	13.9	94.6
1800	43.8	8243	336	17.4	94.4
2100	8.8	1923	197	6.7	83.4
2100	17.5	3847	202	21.3	90.4
2100	26.3	5770	209	31.2	92.6
2100	35	7693	218	41.3	93.1
2100	43.8	9616	229	51.8	93.3
2400	8.8	2198	223	6.9	84
2400	17.5	4396	228	12.5	90.7
2400	26.3	6594	236	18.2	92.8
2400	35	8792	246	24.2	93.4
2400	43.8	10990	258	30.2	93.6
2700	8.8	2473	249	6.9	85.1
2700	17.5	4946	255	12.5	91.2
2700	26.3	7418	263	18.4	93.2
2700	35	9891	274	24.3	93.8
2700	43.8	12364	287	30.5	93.9
3000	8.8	2748	275	7	85.8
3000	17.5	5495	280	12.7	91.5
3000	26.3	8242	290	18.5	93.5
3000	35	10990	301	24.5	94.1
3000	43.8	13738	316	30.7	94.1
3300	8.8	3022	300	7.2	85.1
3300	17.5	6045	306	12.9	91.2
3300	26.3	9067	316	18.8	93.4
3300	35	12089	329	24.9	94.1
3300	43.8	15111	344	31	94.3
3600	8.8	3297	326	7.3	85.9
3600	17.5	6594	332	13	91.6
3600	26.3	9891	342	19	93.7
3600	35	13189	355	24.9	94.3
3600	43.8	16485	371	31.4	94.2

Performance data (T132EC48X30)

Speed (rpm)	Torque (Nm)	Output (W)	Voltage (V)	Current (A)	Efficiency (%)
600	12	750	108	5	90.6
600	23.9	1501	113	8.9	92.9
600	35.9	2251	118	13.2	92.6
600	47.8	3002	126	17.3	91.8
600	59.8	3752	134	21.7	90.5
900	12	1126	160	4.9	89.7
900	23.9	2251	166	8.9	93.3
900	35.9	3377	173	13.1	93.9
900	47.8	4503	183	17.4	93.2
900	59.8	5628	194	21.7	92.6
1200	12	1501	212	4.8	89.9
1200	23.9	3002	219	8.9	93.6
1200	35.9	4503	229	13.2	94.2
1200	47.8	6004	241	17.4	94
1200	59.8	7505	255	21.6	93.6
1500	12	1876	264	4.8	90.2
1500	23.9	3752	272	9	93.6
1500	35.9	5628	284	13.1	94.6
1500	47.8	7505	299	17.5	94.6
1500	59.8	9381	316	21.8	94.3
1800	12	2251	317	5	89.1
1800	23.9	4503	326	9.1	93
1800	35.9	6754	339	13.2	94.6
1800	47.8	9006	356	17.5	94.8
1800	59.8	11257	376	21.8	94.6
2100	12	2627	214	8.4	84.1
2100	23.9	5253	221	26.7	90.8
2100	35.9	7880	230	39	92.9
2100	47.8	10506	242	51.8	93.3
2100	59.8	13133	256	64.9	93.5
2400	12	3002	243	8.5	84.8
2400	23.9	6004	249	15.6	91.2
2400	35.9	9006	260	22.8	93.1
2400	47.8	12007	273	30.4	93.7
2400	59.8	15009	288	37.8	93.8
2700	12	3377	271	8.6	85.9
2700	23.9	6754	278	15.6	91.7
2700	35.9	10131	290	23	93.6
2700	47.8	13508	304	30.4	94.1
2700	59.8	16886	321	38.2	94.2
3000	12	3752	299	8.7	86.8
3000	23.9	7504	307	15.9	92.1
3000	35.9	11257	319	23.2	93.9
3000	47.8	15009	334	30.7	94.4
3000	59.8	18762	353	38.5	94.3
3300	12	4127	327	8.9	86.2
3300	23.9	8255	335	16.1	91.8
3300	35.9	12383	348	23.5	93.9
3300	47.8	16510	364	31.2	94.4
3300	59.8	20638	384	38.9	94.6
3600	12	4502	355	9	87
3600	23.9	9005	363	16.3	92.3
3600	35.9	13508	376	23.8	94.2
3600	47.8	18012	394	31.2	94.7
3600	59.8	22514	415	39.4	94.5

IEC MOTOR

FIRE PUMP MOTOR

GOST MOTOR

NEMA MOTOR

DC MOTOR

EC MOTOR