

Model 6330**Specifications**

- **Pressure Rating - 1500 PSI (10.3 MPa)**
- **Mounting - 1 1/2" Full Port Valve Minimum**
- **Temperature Rating - +500° F / + 260° C**
- **Tube and Adapter Material - 304 S.S.**
- **Stuffing Box Material - 316 S.S.**
- **Seal Material - Teflon**

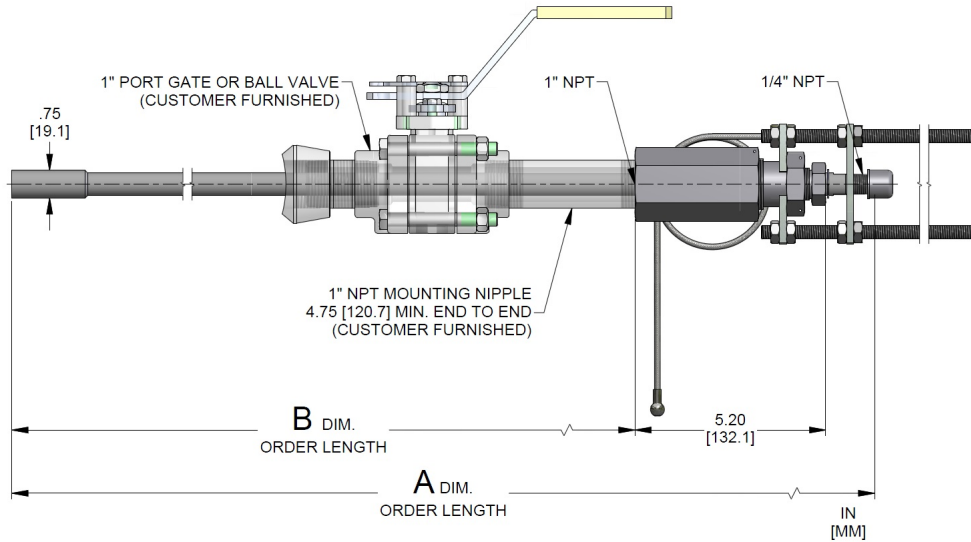
The Model 6330 Injection/Sampling Tube Assemblies provide a retractable means of chemical injection or process fluid sampling at pressures up to 1500 PSI/10.3 MPa and temperatures up to +500°F/+260°C. Insertion of the tube can be adjusted to permit injection/sampling at precisely the desired point within the process fluid.

Standard lengths are available in 18, 24, 20 and 36 inches. The 1/4" female NPT on the process side of the injection tube allows you to install a quill or choose from various nozzle configurations to meet your injection requirements.



MODEL 6330

Dimensions



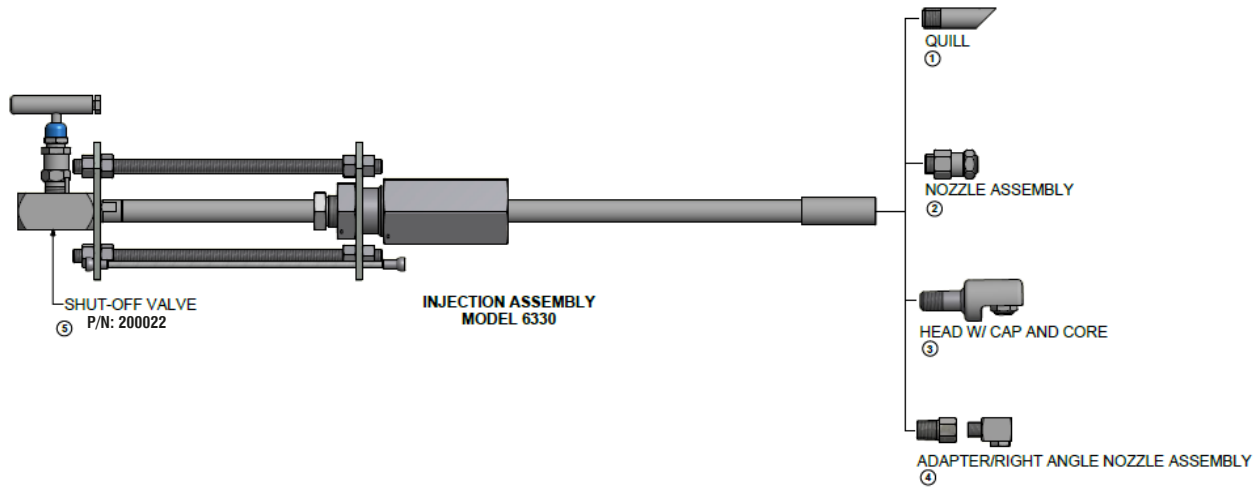
Order Length	"A" Dimension	
	Inches	mm
18	25.54	623
24	30.54	775
30	36.54	928
36	42.54	1080

Ordering Information

Note: For high velocity process conditions it is recommended that Drag Force Calculations be performed – please contact a Cosasco representative for further details.

Model	Retractable Injection Tube	
6330	Completed Injection Tube Assembly - 1" NPT Stuffing Box	
	Code	Order Length
	18	18 Inches
	24	24 Inches
	30	30 Inches
	36	36 Inches
	Code	Safety Clamp Option
	0	No Safety Clamp
	1	With Safety Clamp
6330	— 18 — 1	← Example

MODEL 6330



Accessories

Option Number Per Drawing	Order Number	Description	Additional Information																				
1	6300-2.00	Injection Tube 1/4" NPT Quill 2.00																					
2	129183 201020 201021	Nozzle 1/4" Male NPT .30 Nozzle 1/4" Male NPT .40 Nozzle 1/4" Male NPT .60	<p>GPH Capacity @ Pressure Differential</p> <table border="1"> <thead> <tr> <th></th> <th>40 PSI</th> <th>60 PSI</th> <th>80 PSI</th> <th>100 PSI</th> </tr> </thead> <tbody> <tr> <td>.30</td> <td>.30</td> <td>.36</td> <td>.42</td> <td>.48</td> </tr> <tr> <td>.40</td> <td>.40</td> <td>.48</td> <td>.56</td> <td>.64</td> </tr> <tr> <td>.60</td> <td>.60</td> <td>.72</td> <td>.84</td> <td>.96</td> </tr> </tbody> </table>		40 PSI	60 PSI	80 PSI	100 PSI	.30	.30	.36	.42	.48	.40	.40	.48	.56	.64	.60	.60	.72	.84	.96
	40 PSI	60 PSI	80 PSI	100 PSI																			
.30	.30	.36	.42	.48																			
.40	.40	.48	.56	.64																			
.60	.60	.72	.84	.96																			
3	A. 6304-2.25*	Injection Tube 1/4" NPT X Head 2.25																					
	B. 129490 129473 129472	Cap and Core Cap and Core Cap and Core	<p>GPH Capacity @ Pressure Differential</p> <table border="1"> <thead> <tr> <th></th> <th>40 PSI</th> <th>60 PSI</th> <th>80 PSI</th> <th>100 PSI</th> </tr> </thead> <tbody> <tr> <td>.30</td> <td>.30</td> <td>.36</td> <td>.42</td> <td>.48</td> </tr> <tr> <td>.40</td> <td>.40</td> <td>.48</td> <td>.56</td> <td>.64</td> </tr> <tr> <td>.60</td> <td>.60</td> <td>.72</td> <td>.84</td> <td>.96</td> </tr> </tbody> </table>		40 PSI	60 PSI	80 PSI	100 PSI	.30	.30	.36	.42	.48	.40	.40	.48	.56	.64	.60	.60	.72	.84	.96
	40 PSI	60 PSI	80 PSI	100 PSI																			
.30	.30	.36	.42	.48																			
.40	.40	.48	.56	.64																			
.60	.60	.72	.84	.96																			
4	A. 129108	Adapter Bushing 1/4" to 1/8" NPT - 316 S.S.																					
	B. 030472** 030472-X1**	Right Angle Nozzle 1/8 B.5 Right Angle Nozzle 1/8 B5	<p>GPM Capacity @ Pressure Differential</p> <table border="1"> <thead> <tr> <th></th> <th>10 PSI</th> <th>20 PSI</th> <th>40 PSI</th> <th>100 PSI</th> </tr> </thead> <tbody> <tr> <td>.05</td> <td>.05</td> <td>.07</td> <td>.10</td> <td>.16</td> </tr> <tr> <td>.50</td> <td>.50</td> <td>.70</td> <td>1.0</td> <td>1.6</td> </tr> </tbody> </table>		10 PSI	20 PSI	40 PSI	100 PSI	.05	.05	.07	.10	.16	.50	.50	.70	1.0	1.6					
	10 PSI	20 PSI	40 PSI	100 PSI																			
.05	.05	.07	.10	.16																			
.50	.50	.70	1.0	1.6																			
5	200022	Shut-Off Valve 1/4" NPT 316 S.S.																					

Cosasco
11841 Smith Avenue
Santa Fe Springs, CA 90670, USA
Tel: 1-562-949-0123
Email: sales@cosasco.com
Web Site: www.cosasco.com

©Rohrbach Cosasco Systems, Inc. All rights reserved

The contents of this publication are presented for information purposes only, and while effort has been made to ensure their accuracy, they are not to be construed as warranties or guarantees, express or implied, regarding the products or services described herein or their use or applicability. We reserve the right to modify or improve the designs or specifications of our products at any time without notice.

COSASCO®



FM 10694

6330-DS rev.B
Rev. Date 01/28/2019

www.cosasco.com