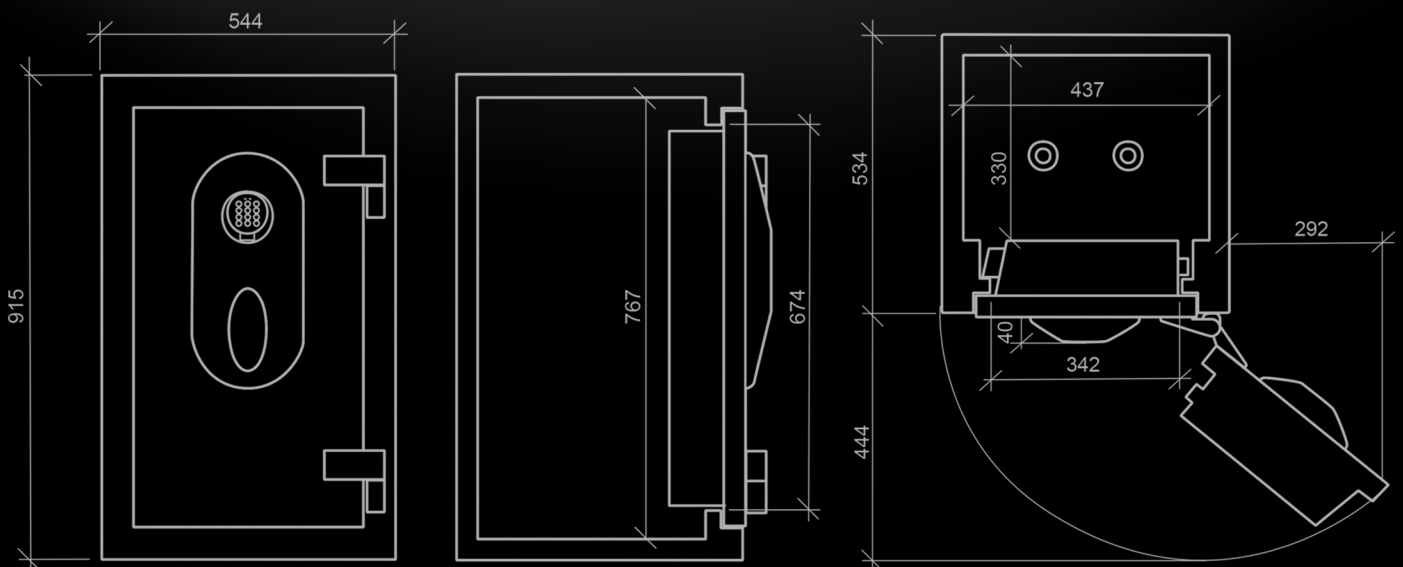


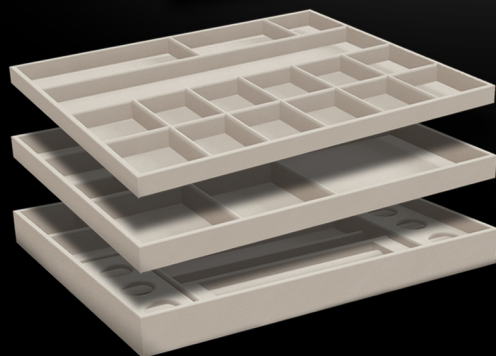
## Safe EMILY - Finest Leather Finish



- **Exterior dimensions (HxWxD):**  
915 x 544 x 534 (+60) mm
- **Weight:**  
app. 410 kg incl. leather upholstery and interior
- **Volume:**  
app. 110 l
- **Exterior finish:**  
Finest Leather
- **Chrome metal parts**  
(handle, bolts, keypad frame)
- **Safety level VDS III**
- **Alarm system connection**
- **Fire resistant due to DIN 4101 A1**
- **Can be fixed to the floor**



## Safe EMILY - Finest Leather Finish



### Interior measures (H x W x D):

767 x 437x 330 mm

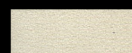
### Interior finish

alcantara upholstery (2911)

### Interior lighting

built-in LED

- watch winder module  
for 8 watches
- wooden panelling: walnut
- wooden border: zebano
- 3 drawers for jewelry  
H = 80 mm
- 1 drawer for documents  
H = 105 mm
- 3 trays for jewelry  
upholstered in alcantara (2911)



2911 Perlweiß