



Safe BRILLIANT - Diamond Luxury Finish

Technical Specifications

Armoured casing	certified for safety level III due to EN 1143-1
Fire resistance	up to 1200° C due to DIN 4101 A1
Lock	bolt lock with electronic control system
Interior lighting	built-in LED
Alarm	connection to alarm system available
Fixation	all safes can be bolted to the floor
Door	hinges on the right or on the left side

Standard features

Diamond luxury exterior finish (gold or black)
Gold or silver plated metal parts (handle, bolts, hinges)
Up to 6 drawers & jewelry trays upholstered in alcantara (see alcantara samples)

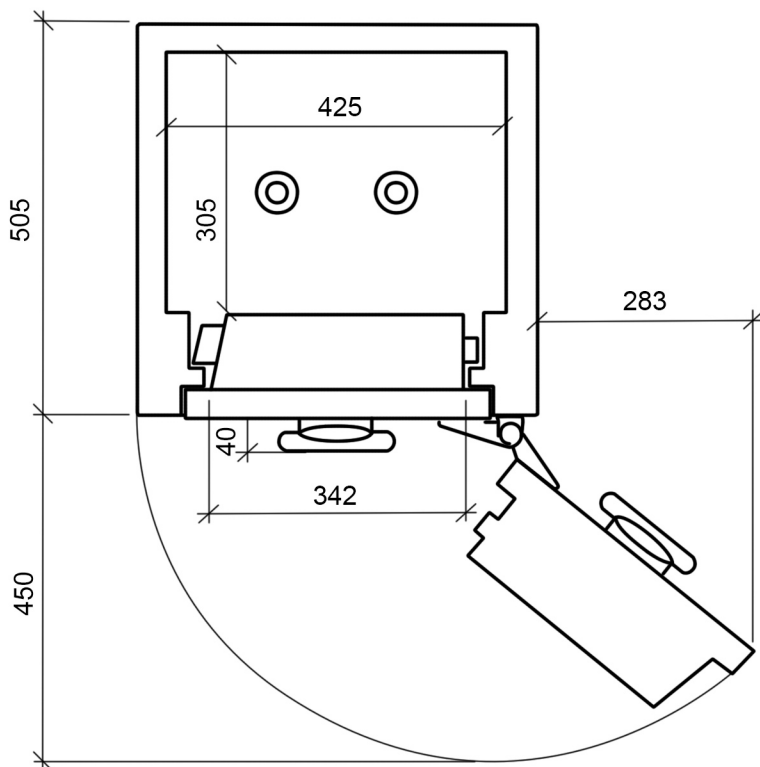
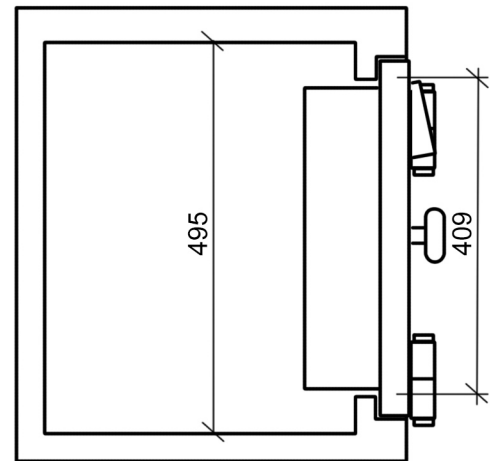
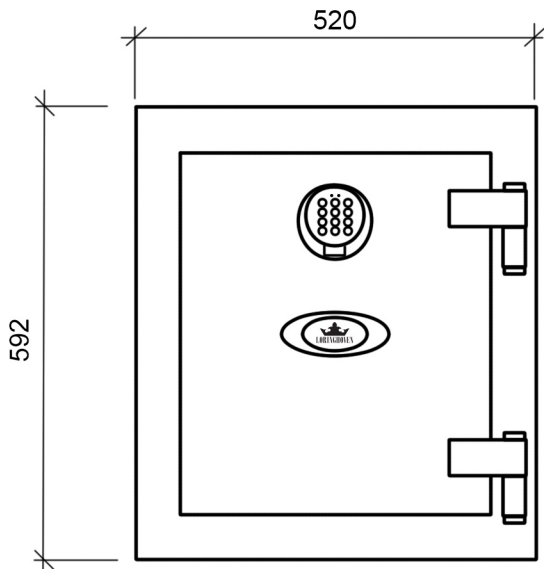
Optional features

Silent alarm
Additional drawers of different sizes lined in alcantara (see alcantara samples)
Additional trays for jewelry and watches lined in alcantara (see alcantara samples)
Pedestal (200 mm or 300 mm)
Watch winder modules for 4, 6, 8 or 12 watches
Personal emblem, coat of arms, initials engraving or diamond inscription

**PLEASE BE AWARE THAT CUSTOMIZED SAFES OF VARIOUS SIZES
CAN BE MANUFACTURED UPON REQUEST**

Safe BRILLIANT - Diamond Luxury Finish

Size MINI



Exterior dimensions (HxWxD):

592 x 520 x 505 (+60) mm

Interior dimensions (HxWxD):

495 x 425 x 305 mm

Volume:

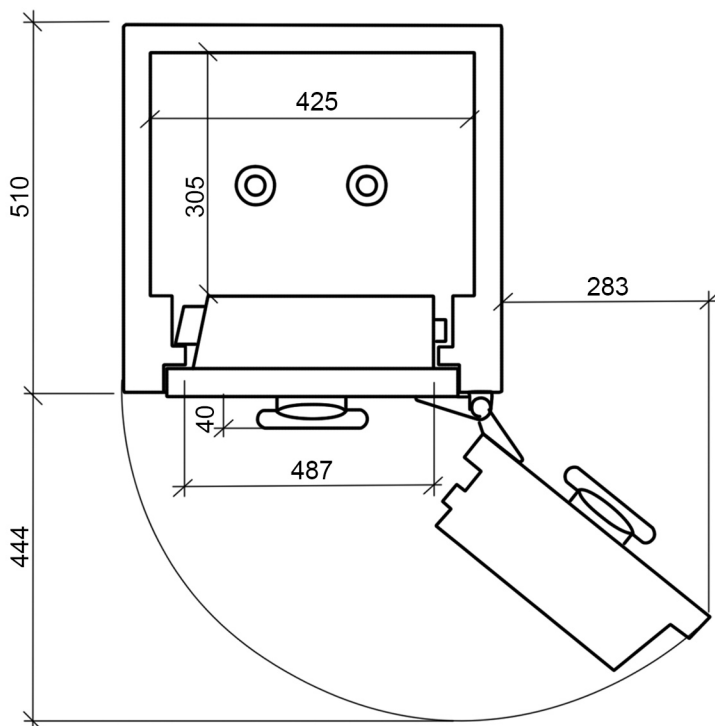
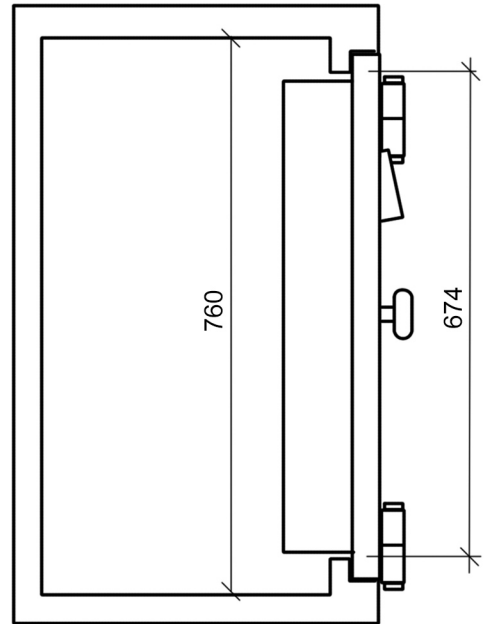
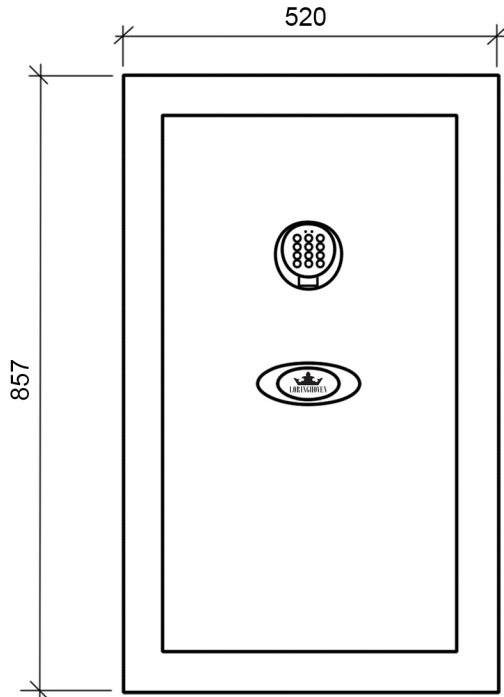
approx. 65 l

Weight:

approx. 240 kg

Safe BRILLIANT - Diamond Luxury Finish

Size MIDI



Exterior dimensions (HxWxD):

857 x 520 x 510 (+60) mm

Interior dimensions (HxWxD):

760 x 425 x 305 mm

Volume:

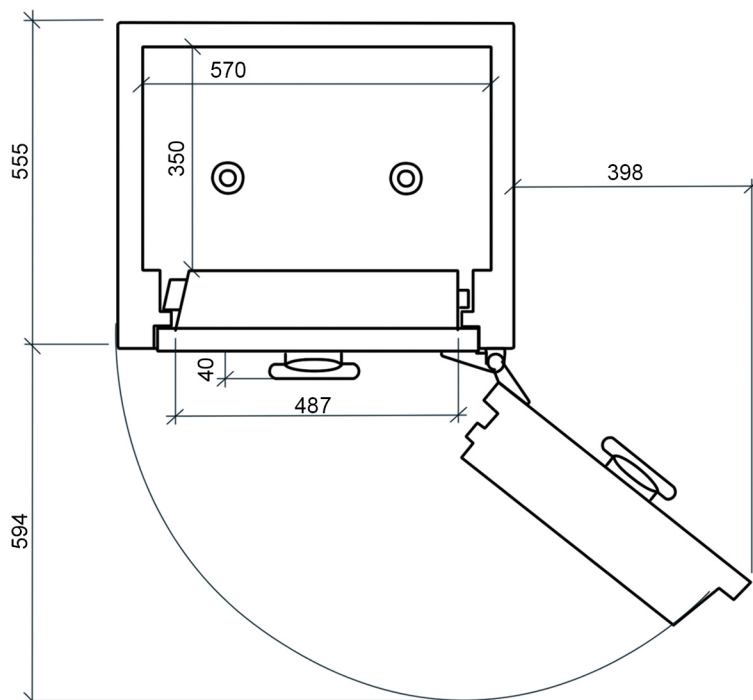
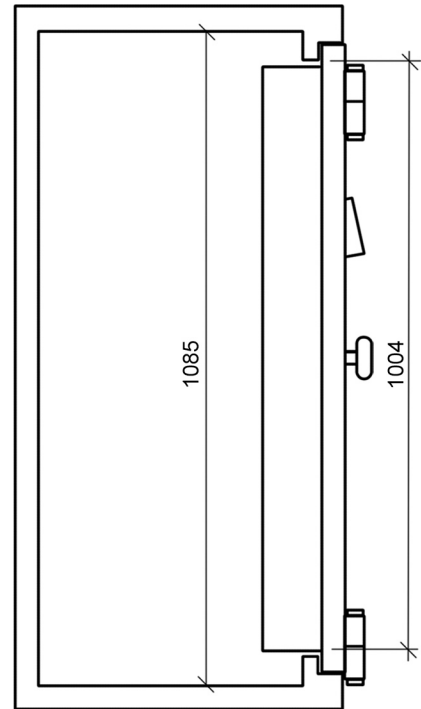
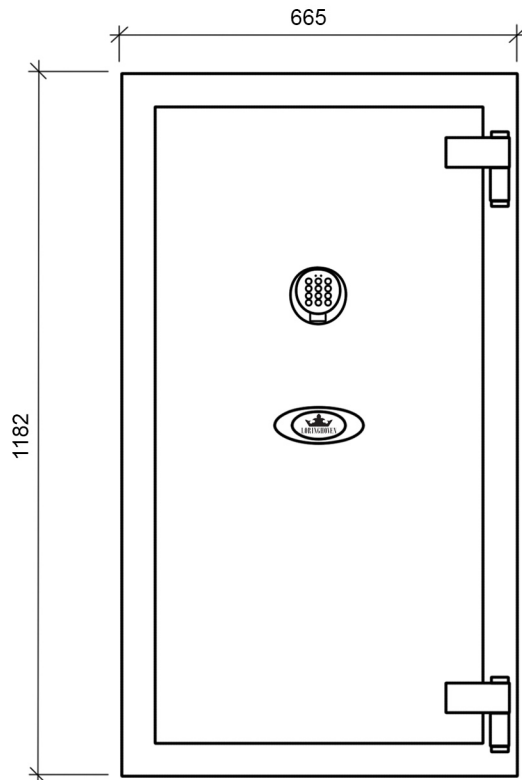
approx. 100 l

Weight:

approx. 360 kg

Safe BRILLIANT - Diamond Luxury Finish

Size MAXI



Exterior dimensions (HxWxD):

1182 x 665 x 555 (+60) mm

Interior dimensions (HxWxD):

1085 x 570 x 350 mm

Volume:

approx. 220 l

Weight:

approx. 560 kg