



Installation Instructions for  
**Ford E-Transit Glass Rack**

**MyGlassTruck.com**  
**(844) 364-4022**



## Thank You for Choosing MyGlassTruck | America's Glass Rack Leader

This document's purpose is to provide a qualified installer with the steps necessary to perform a safe and correct installation. Before beginning installation read this guide and all other instructions provided by MyGlassTruck.com, third party component providers and vehicle providers to ensure you are familiar with the installation procedure, rack and vehicle. If you have questions, please call MyGlassTruck.com at (844) 364-4022. Our qualified personnel will gladly provide answers.

### Caution

Demountable Concepts, Inc., parent company of MyGlassTruck.com, has provided within this document detailed installation instructions for the installer of the aluminum van rack provided by MyGlassTruck.com. Failure to follow these instructions or failure to follow safe shop and workplace practices could result in injury or death of the installer or end user of this equipment. PLEASE read this instruction manual thoroughly before beginning the installation process. If you do not understand any step or procedure that is outlined in the manual, immediately call the Demountable Concepts, Inc. engineering department at (844) 364-4022. Hours of operation are 8 am to 5 pm EST, Monday through Friday.

**DO NOT PROCEED WITH ANY INSTALLATION PROCEDURE IF YOU ARE NOT CERTAIN OF ITS CONTENT, INTENTION AND DESCRIPTION.**

### Important

When installed, this glass rack and any other components must not alter or prevent vehicle compliance to existing state or federal standards. The finished rack and vehicle should comply with all vehicle manufacturer guidelines.

### Do This Before You Start

Before beginning installation, please review this manual and locate each hardware bag and component of your rack. If anything is missing or you have questions please call (844) 364-4022. We will be happy to assist you.

Section 1	<b>Become Familiar with Your Glass Rack</b>	Page 4
Section 2	<b>Installing Glass Rack with Roof Rack Mounts</b>	Page 5
Section 3	<b>Install Underbody Mounts &amp; Attach Bottom of Rack</b>	Page 12
Section 4	<b>Install Front Stop</b>	Page 14
Section 5	<b>Install Optional Rear Roller Bar</b>	Page 14
Section 6	<b>Assemble Poles</b>	Page 15
Section 7	<b>Final Inspection Check List /Warnings/Parts</b>	Page 16

### **Tools Required**

7/16", 1/2", 9/16", 19 mm Wrenches and Sockets

8 mm Hex Socket

Socket Wrench

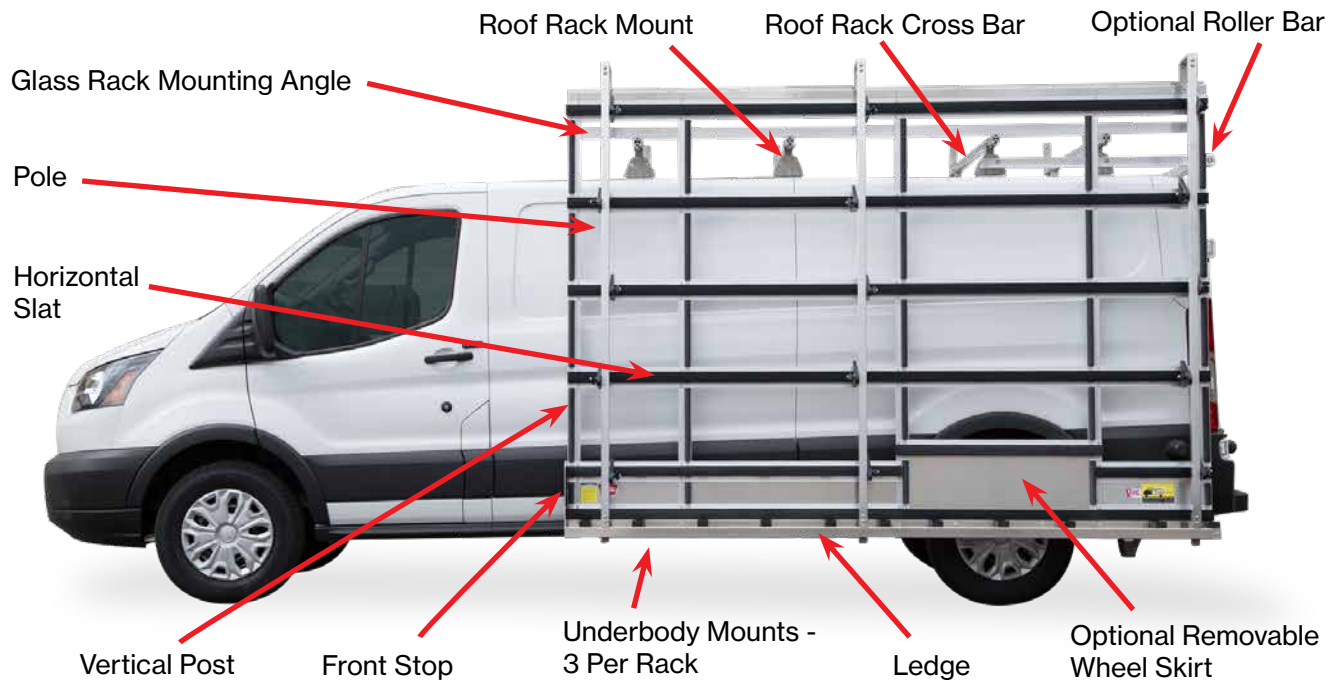
Cordless Electric or Pneumatic Impact Gun

Caulk Gun

Drill with 3/8" & 5/16" Bits

Plastic Scraper

## BECOME FAMILIAR WITH YOUR GLASS RACK



Depending on wheelbase, the roof of the E-Transit van will have six (6) or eight (8) protective rubber plugs covering the mounting points for the 5" strut channels from the roof rack adapter kit T-2. You will remove them in step 2.

## STEP 1: LOCATE PARTS AND HARDWARE

## ROOF RACK PARTS

**A. Roof Rack Mounts**

130" Wheelbase: (6)

148" Wheelbase: (8)

**B. 75" Crossbars**

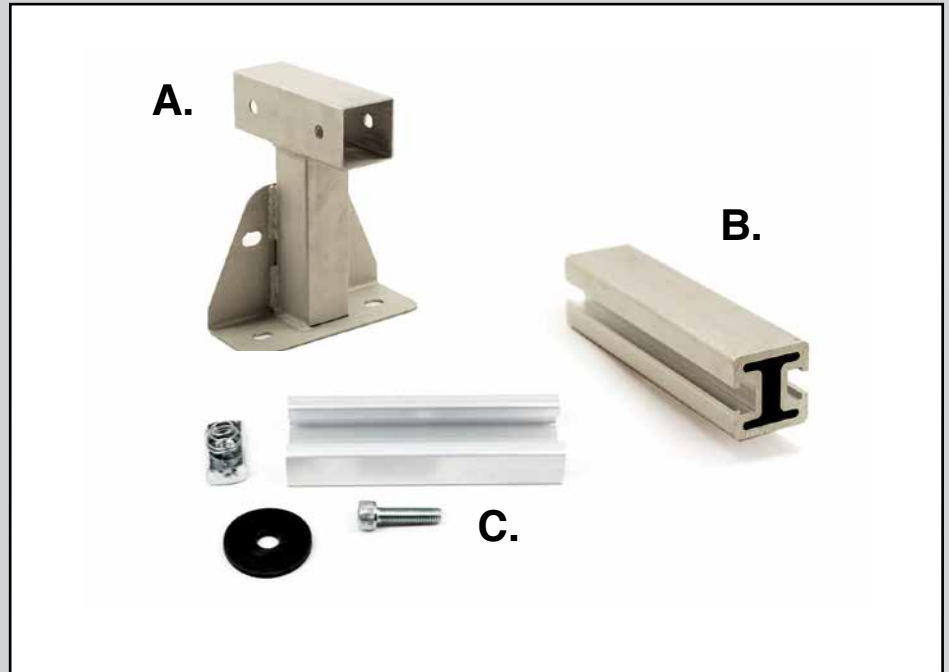
130" Wheelbase: (3)

148" Wheelbase: (4)

**C. T-2 Hardware Kit****D. V-8 Hardware Kit (Not Shown)****E. V-10 Hardware Kit (Not Shown)****F. V-11 Hardware Kit (Not Shown)***(For Single-Sided Racks)***CUSTOMER SUPPLIED**

A. Silicone Caulk (10 oz)

B. Red Lok-Tite

**T-2 E-Transit Roof Rack Adapter Kit**

ITEM	SIZE	QTY
5" Strut Channel		8
Hex Bolts	5/16" x 7/8"	16
Washer, Lock Washers	5/16"	16
8 mm Socket Head Bolts		8
Fender Washer		8
Rubber Fender Washer		8
Strut Nut w/ Spring		16
Washer, Lock Washer	3/8"	8

**V-8 Hardware Bag for roof mount rack**

ITEM	SIZE	QTY
Hex Cap Screws Stainless	5/16" x 2-1/4"	16
USS Flat Washers Stainless	5/16"	32
Nylon Insert Locknut Plated	5/16"	16

**V-10 Hardware Bag for attaching rack to roof mounts**

ITEM	SIZE	QTY
Hex Cap Screws Stainless	3/8" x 2-1/2"	4
USS Flat Washers Stainless	3/8"	8
Nylon Insert Locknut Stainless	3/8"	4

**Roof Rack crossbar attached to mounts.**



**STEP 2: INSTALLING ROOF RACK ADAPTER**

Locate mounting points on the roof of your E-Transit (Refer to Page 4). There will be rubber plugs covering the roof rack mounting holes.



**1.** Carefully remove rubber plugs for the openings.



**2.** Place a bead of caulk around each opening.



**3.** Assemble the 8 mm bolt, lock washer and washer and put through the pre-drilled hole in the mounting track.



**4.** Install rubber fender washer over 8 mm bolt. Put a few drops of red Lok-Tite thread locker on the 8 mm bolt threads.



**5.** Secure mounting track to van roof. Place a generous bead of caulk around bolt head and washer (not shown).



**6.** Press strut nuts with springs into track and twist 90 degrees to lock.



**7.** Repeat procedure for all mounting points.



**8.** Loosely secure roof rack mounts to adaptor using 5/16" x 7/8" bolts with washers and lock washers. Do not tighten bolts fully until crossbars are in their final position.

## STEP 3: ROOF RACK SETUP



9. Slide 75" crossbars through openings of roof rack mounts so they protrude evenly on either side of the roof mounts.

(Detailed view of Step 9.)



10. Using the predrilled holes in the mounts as a guide, drill 5/16" holes through the crossbars.



11. **NOTE:** Do not tighten bolts fully until crossbars are in final position.



## TIGHTEN ALL HARDWARE

1. Make sure bolts from roof rack mounts to roof rack adaptors are tightened
2. Tighten bolts from roof rack mounts to cross bar

**STEP 4: ATTACH GLASS RACK TO ROOF RACK CROSS-BARS**

Hang the rack on the crossbars with the mounting angle that is attached to the back of the glass rack.

Drill 3/8" holes through the angle and the crossbar, be sure to drill through the center of the angle on the back of the glass rack. Bolt the rack to the cross bars using 3/8" x 2-1/2" bolt.(Bag V-10 Hardware)

Glass rack hung on roof rack crossbar.



3/8" x 2-1/2" bolts inserted through mounting angle and roof rack crossbar. Use washer above angle and washer and nut below crossbar.



**Top View**



**Bottom View**

**STEP 5: SET RACK ANGLE**

Set the vertical angle of the glass rack by pivoting the bottom out. There must be a minimum of 1/2" clearance between the rack and van. To prevent rack from touching van place padding between them. The recommended angle is 5 degrees.

**TIP:** Download an app for your smartphone to quickly check the recommended five degree angle



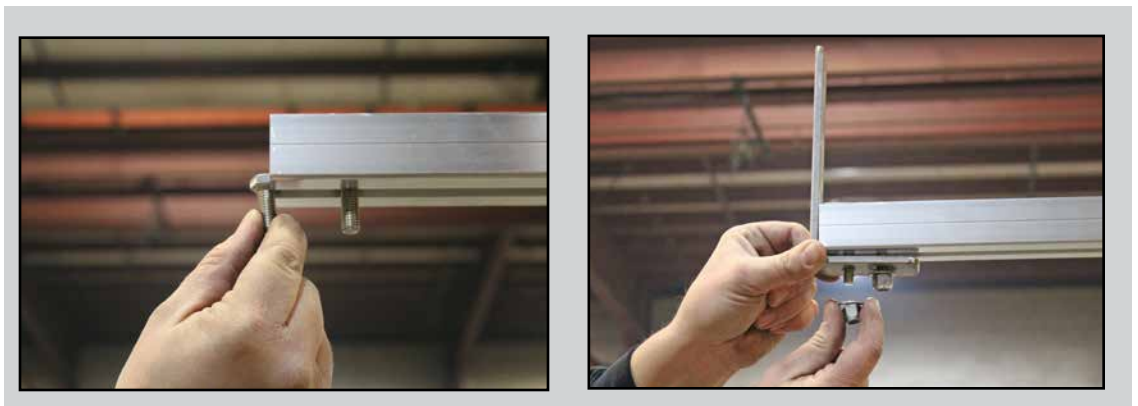
**!** REMEMBER THE RACK AND VEHICLE MUST NOT EXCEED THE LEGAL OVERALL WIDTH OF 102"

**STEP 6: ADD END HOOKS TO ROOF RACK CROSS BARS****V-11 Hardware Bag**

ITEM	SIZE	QTY
Hex Cap Screw Stainless	3/8" x 1"	8
USS Flat Washer Stainless	3/8"	8
Nylock Nut	3/8"	8
L-Shaped End Hooks		4

L-hooks are packed separately from hardware.

**NOTE:** if installing a rack on both sides of the van the L-hooks will not be installed.



On the non-rack side of the van, slide the heads of two 3/8" x 1" hex cap screws into the channel on the underside of the roof rack cross bar. With the longer "ladder keeper" portion of the end hook facing upward, thread the screws through the end-hook's two pre-drilled holes. Slide a 3/8" washer onto each bolt and secure the end hook with two 3/8" lock nuts.

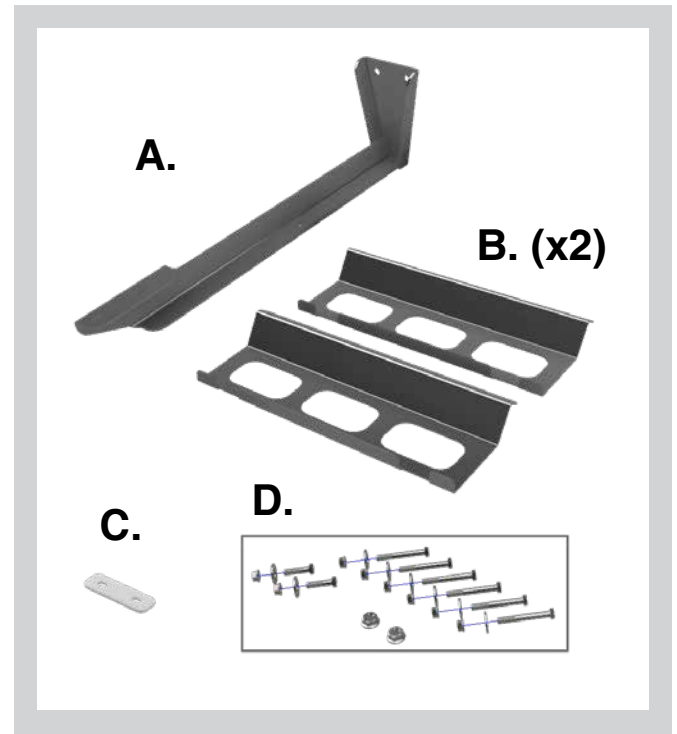
## STEP 1: REVIEW PARTS AND HARDWARE

## Underbody Mount Parts

- A. Rear Underbody Mount
- B. Front/Middle Underbody Mount
- C. Aluminum Shim (for rear underbody mount)
- D. Hardware Kit

## Hardware Kit for Underbody Mounts

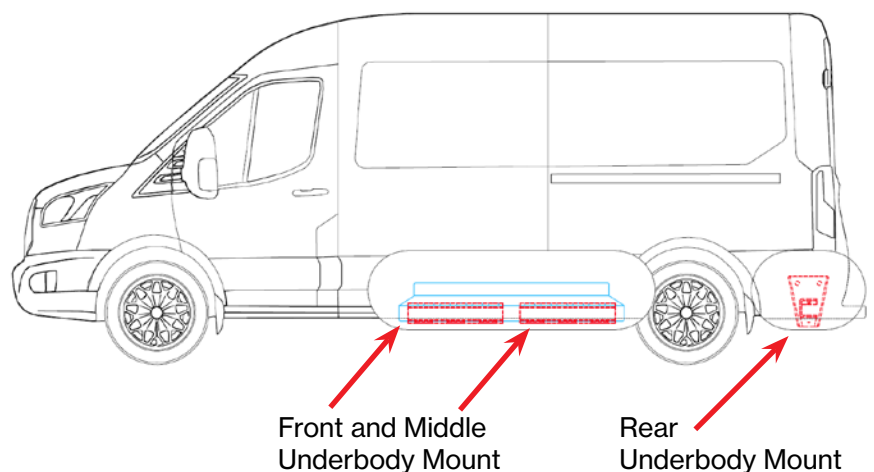
ITEM	SIZE	QTY
Hex Cap Screw Stainless	3/8" UNC x 1-1/2"	2
Hex Cap Screw Stainless	3/8" UNC x 3"	6
Washer	3/8"	8
Flange Nut	3/8" UNC	8
Flange Nut	M12 x 1.75"	2



## STEP 2: PLACEMENT OF UNDERBODY MOUNTS

The flat portion of the underbody mount with the pre-drilled holes attaches to the van's chassis/frame. To support the rack, the longer horizontal portion with the flange and pre-drilled slotted holes extends beyond the van's outer wall to the underside of the rack's ledge. An aluminum shim is placed between underbody mount and underside of the rack's ledge.

**This diagram below shows placement of the underbody mounts.**



- Underbody Mount
- Outer Underbody Mount (Already Attached to Rack)

**STEP 3: INSTALL UNDERBODY MOUNTS**

Attach all underbody mounts to chassis before drilling and mounting to rack ledge.

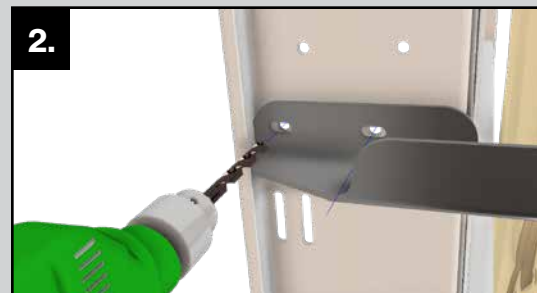
**Note: All drilling is done into the rack only. No drilling into the vehicle is required.**

**Installation Procedure for Attaching Underbody Mounts to Chassis**

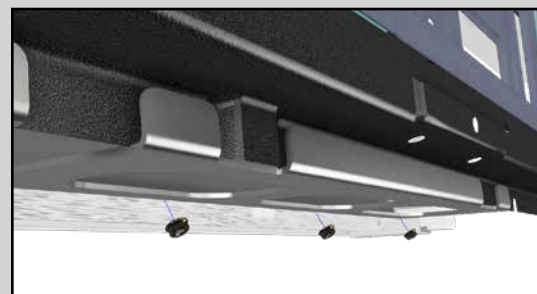
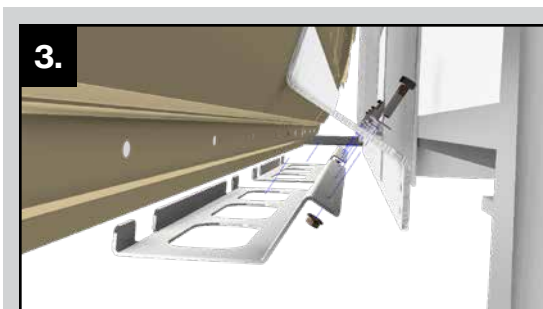
**1.** Install rear underbody mount. The rear underbody mount is attached to the hitch receiver mount, with M12 studs already installed. Place underbody mount on studs and fasten with (2) M12 x 1.75" flange nuts.



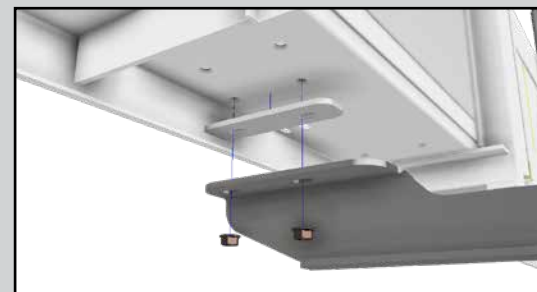
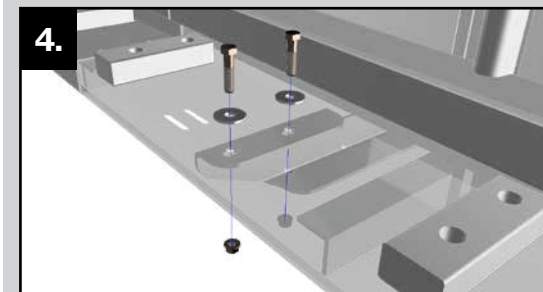
**2.** Using the rear undermount's arm as a guide, drill two holes into the rack's ledge from underneath using a 3/8" drill bit. Do not fasten rear underbody mount to rack ledge until the front/mid underbody mounts have been installed.



**3.** Attach front/mid underbody mounts. Attach (6) 3/8"UNC x 3" Bolts to the corresponding threaded holes on front/mid underbody mounts with (1) 3/8" Washer and (1) 3/8" UNC Flange nut per bolt. Do not tighten until all bolts have been started and the inside lip of the front/mid underbody mounts have been secured against the vehicle's pinch weld.



**4.** Fasten rear underbody mount, using aluminum shim if needed. Then tighten front/mid underbody mount bolts, making sure the lip is secured against the vehicle's pinch weld.



**DOUBLE-CHECK THAT ALL NUTS AND BOLTS ARE TIGHTENED**

## SECTION 4

## Install Front Stop

### INSTALL FRONT STOP

The glass rack front stop is shipped detached from the rack. To attach, bolt the stop directly to the front of the glass rack through the pre-drilled holes using the 2-1/2" x 1/4" bolts provided.

#### V-12 Hardware Bag for Front Stop

ITEM	SIZE	QTY
Hex Cap Screw	1/4" x 2-1/2"	3
USS Flat Washer	1/4"	6
Nylon Insert Locknut	1/4"	3



## SECTION 5

## Install Rear Roller-Bar

### INSTALL OPTIONAL ROLLER-BAR

#### V-13 Hardware Bag

ITEM	SIZE	QTY
Hex Cap Screw Stainless	3/8" x 1"	4
USS Flat Washer Stainless	3/8"	8
Nylock Nut	3/8"	4

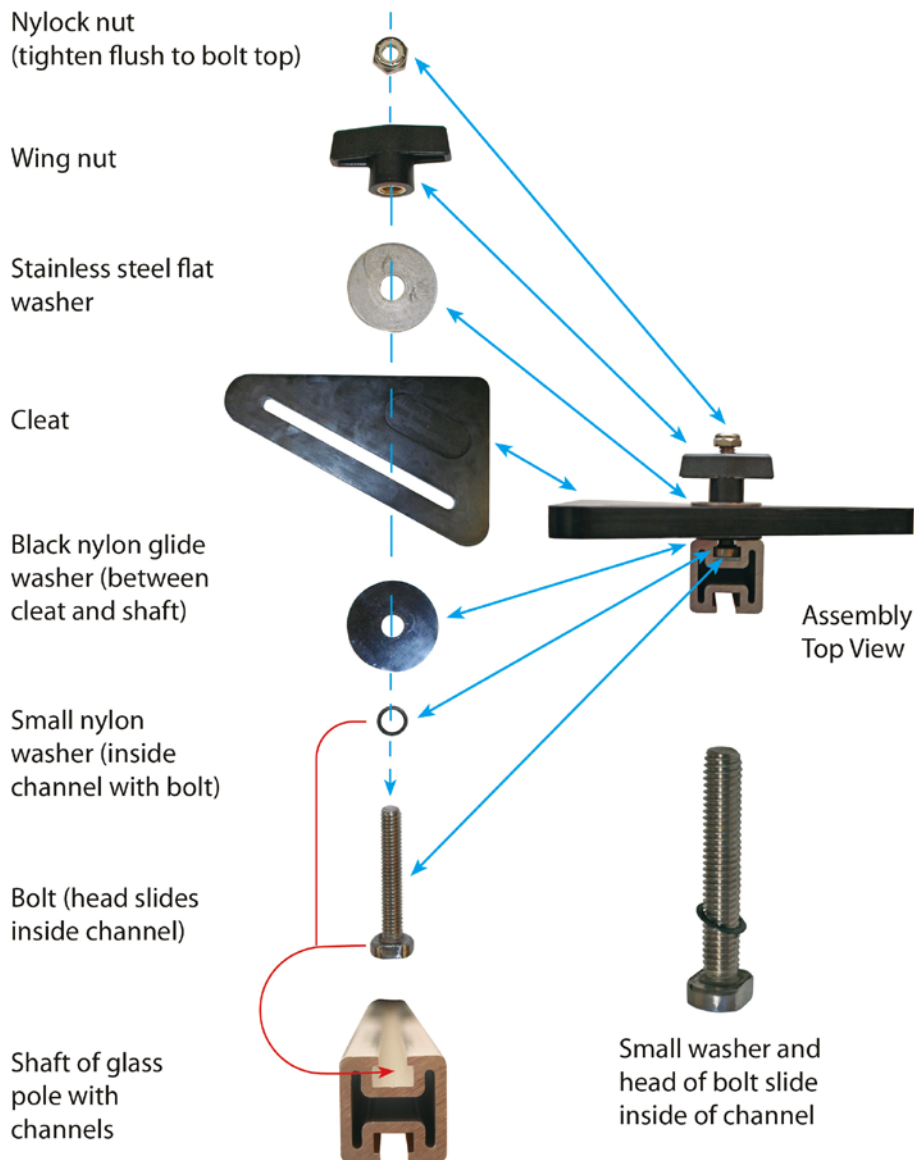
1. Loosely bolt the 2" angles for roller bar to 2 rear roof rack mounts so that the end with the 1/2" hole extends beyond the rear of the van. **Do this on both the driver and passenger side.**
2. Remove the 1/2" nut from threads on each end of roller bar (not shown) and insert threaded ends through 1/2" holes on each angle.
3. Place bolts back onto the threads at each end of the roller bar and tighten all bolts, including bolts holding angles to roof rack mounts.

**Check to be sure roller bar spins freely.**

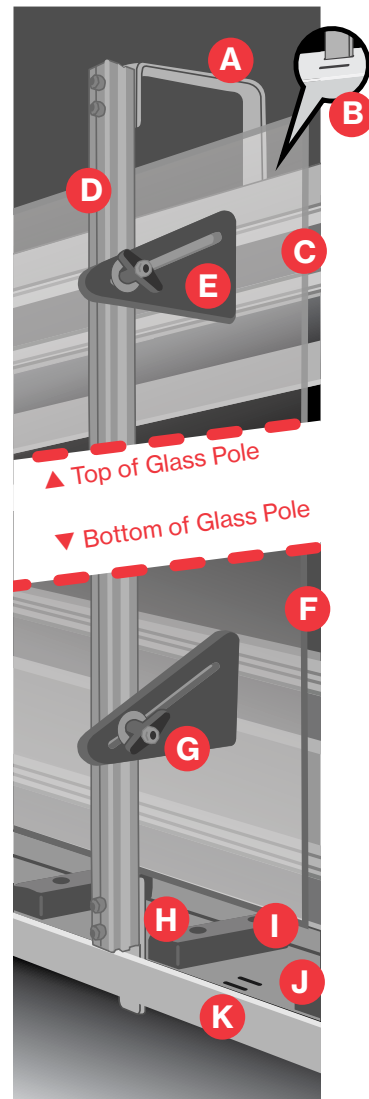


**POLE HARDWARE, CLEATS AND COMPONENTS**

Slide the head of a stainless steel bolt down the pole's channel. Assemble hardware and cleat as shown. Slide three cleats onto one side of the pole and two onto the other side.



**Glass Pole Parts**



- A. Pole Top Section
- B. Top Slots - Along top of rack header rail
- C. Rubber Padding
- D. Pole
- E. Cleat
- F. Glass
- G. Wing-Nut
- H. Pole Bottom Section
- I. Bottom Pad
- J. Glass Rack Ledge
- K. Bottom Slots

**CHECK FOR YES**

- Roof rack is attached to van properly and all bolts are tight
  - All bolts are tight where glass rack attaches to roof rack
  - All underbody mounts are installed properly and tight
  - All bolts securing rack ledge to underbody mounts are tight
  - Wheel skirt is bolted on properly
  - Front stop is securely bolted in place
  - Cleats are attached properly to all poles
- 

** WARNING**

Shifting cargo due to improper loading can result in sudden loss of control of vehicle, cargo or glass coming off of rack, or glass breakage. This can lead to death or serious injury. You must:

- Make certain weight of load plus rack weight does not exceed vans weight capacity (GVWR - Gross Vehicle Weight Rating)
- Evenly distribute load on the driver and passenger side of vehicle (if equipped with two racks)
- Always center the load on the rack.
- Consider adjusting the contents inside the vehicle to account for the weight on the rack.
- Properly secure load to rack and tie down all loads with proper sized fasteners, chains, straps, etc. Inspect and test all load securement equipment before use.
- If rack is E-Track equipped, only use load securement products compatible with E-Track.
- Do not use damaged or loose tie down rings, straps or track. They can fail or break, allowing cargo to become loose resulting in death or serious injury.

**Refer to [www.fmcsa.dot.gov](http://www.fmcsa.dot.gov) for regulations regarding cargo securement rules**

---

**For Service and Troubleshooting:**

Phone: (844) 364-4022  
E-mail: [sales@myglasstruck.com](mailto:sales@myglasstruck.com)  
Web: [MyGlassTruck.com](http://MyGlassTruck.com)

To preview, or order parts  
please visit [dcipress.com](http://dcipress.com)

