

Mounting the EAP600

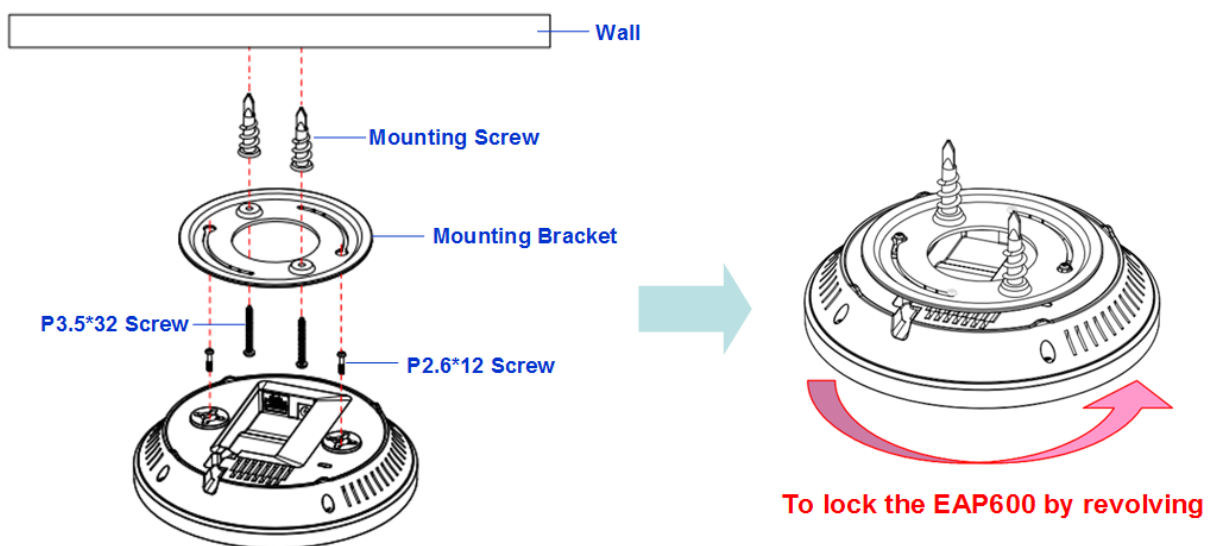
Using the provided hardware, the EAP600 can be attached to a ceiling or wall.

To attach the EAP600 to a ceiling or wall using the mounting bracket:

- 1) Attach the mounting bracket to the wall or ceiling using the provided wall/ceiling mounting hardware kit.
- 2) Insert the provided short screws into the bottom cover of the EAP600.

Leave enough of the screws exposed to ensure that the unit can be attached to the mounting bracket.

If extra space is required, use the provided spacers and long screws from the T-Rail mounting hardware kit to increase the space between the unit and the mounting bracket.



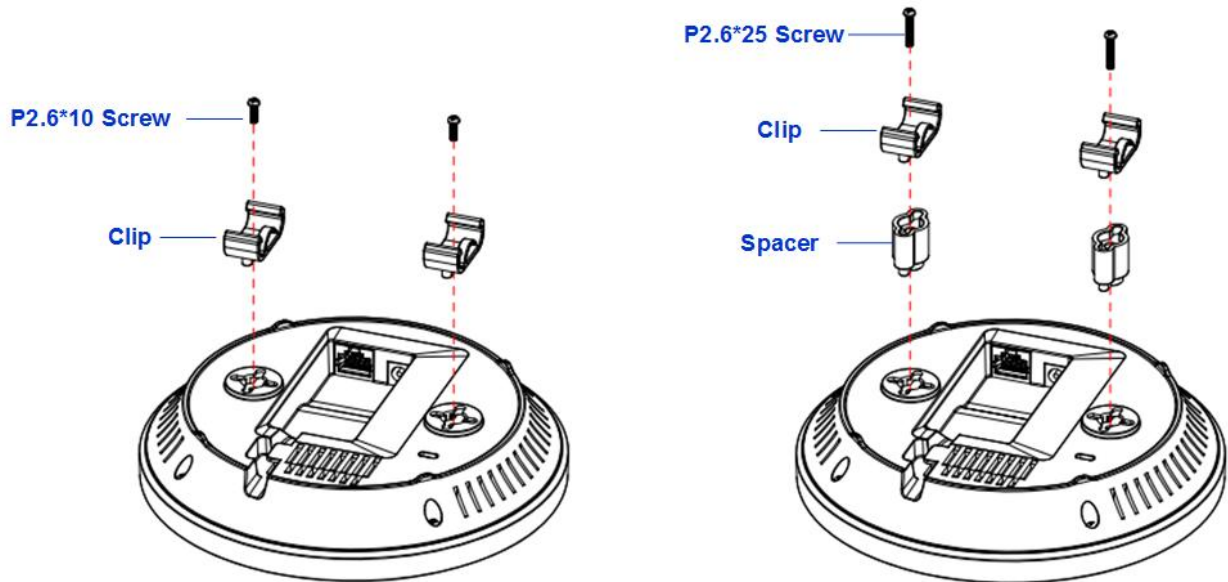
- 3) Mount the EAP600 on the mounting bracket by rotating the unit clockwise about 90 degrees to secure it in place.

To attach the EAP600 to a ceiling using the provided T-rail connectors:

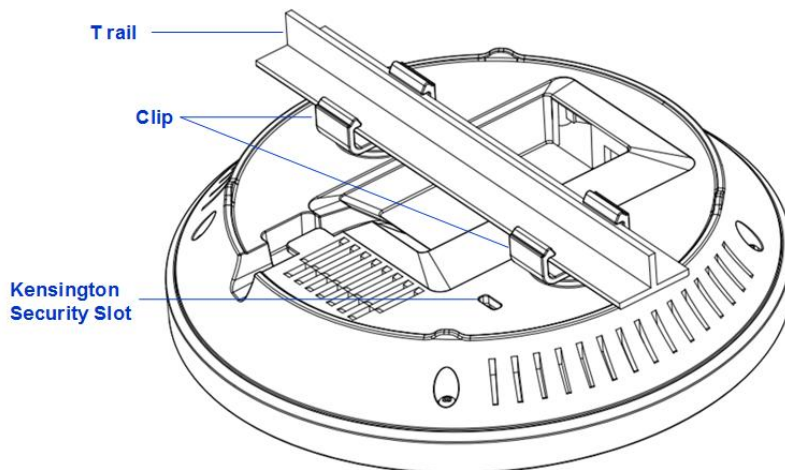
1) Attach the T-rail connectors to the bottom cover of the EAP600 using the provided short screws.

Two sizes of T-rail connectors are included in the mounting hardware kit: 15/16in (2.38cm) and 9/16in (1.43cm).

If extra space is required to accommodate drop ceiling tiles, use the provided spacers and long screws.



2) Line up the connected T-rail connectors with an appropriately sized rail and press the unit onto the rail until it snaps into place.



Note: To protect your EAP600, use the Kensington security slot to attach a cable lock (cable lock is not included).