

Wireless Remote Control

2.4GHz Technology Eliminates Interference and Saves Power



- COMEUP wireless remote controls operate on a 2.4GHz digital transmission frequency.
- The systems provide a stable and reliable connection covering a minimum 27 m radius without interference.
- Users will experience virtually no drop out and no time-lag even when multiple devices are used in close proximity.
- The system is constantly monitoring the connection via 2-way communication, providing the user feedback on signal reception.
- The Plug and Play installation is a breeze and requires no special tools or manual configuration.
- Each pairing transmitter links up and stays linked automatically.
- Each system holds a unique code; you'll never have to worry about anyone having the same frequency.

Features Include

- Works with any 12 V or 24 V solenoid.
- 2.4 GHz wireless technology works within 27m range without line of sight.
- Stylish and ergonomic design fits comfortably with your hand.
- Safety power on, press and hold for 5-seconds to switch on.
- Automatically powers down after 5-minute silence for safety and conserving battery life.
- The transmitter is self-learning, simplifying installation and replacement.
- Instant operation with no perceivable delay.

Specifications

- Input Voltage: 8-24 vdc
- Frequency: 2.4 GHz
- Signal: Digital
- Transmission: 2-way, including feedback function.
- Response: Synchronous w/o lag.
- Time out: Auto shut down after 5min.
- Protection: IP 66
- Certificate: FCC - CE
- Functions: 3 buttons: on/off, winch in and winch out.
- Power-up: Press power button for 5 seconds.
- Range: >27 m
- Battery: 3V Lithium battery x 1 supplied
- Applications: DC winch, Hydraulic winch, 4 WD, ATV / UTV, Boat trailers, Towing & Recovery.

Transmitter Diagnostics

Green LED:	Power On	Red LED:	Winching
Green Flashing LED:	Low Battery	Red Flashing LED:	Poor Signal Reception

Wiring harness with built-in antenna designed for quick installation and simple operation



IP66 waterproof transmitter and receiver ensure all weather protection



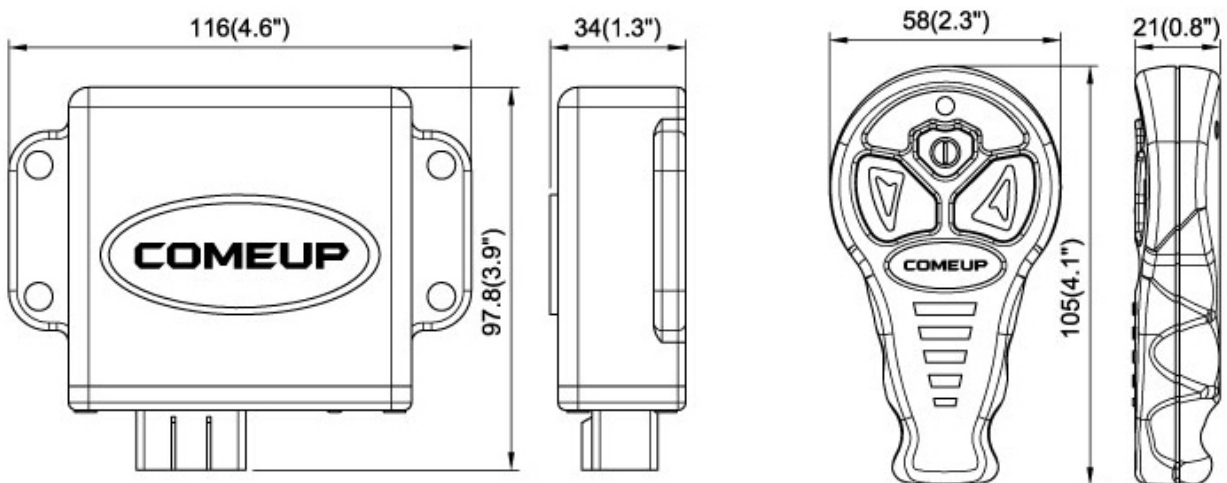
2.4 GHz high frequency transmission ensures reliable connection without delay or drop out.

Colour LED indicates different winching conditions

Optional Transmitter Holder



Dimensions mm/inch



Warranty

Guaranteed against defects in workmanship and material defects for a period of twelve months from date of purchase.