

GTD-650

295 Kg Heavy-Duty Hoist



PN 750265 12V
PN 750280 24V

Features Include

- Provides an answer to the health and safety recommendations for manual lifting.
- High efficient low amp draw and sealed permanent magnet motor.
- Lightweight and compact design is ideal for small crane and davit applications.
- Mechanical spring applied and permanent motor dynamic brake provide for precise load control
- Waterproof industrial remote control with 5 m lead
- Full metal 3-stage planetary gear train, quiet, smooth and efficient.
- Submersible sealed contactor handles high amps and allows higher duty cycle.
- In compliance with standard of ANSI B30.5 for $D/d \geq 18$ and rope safety factor ≥ 3.5

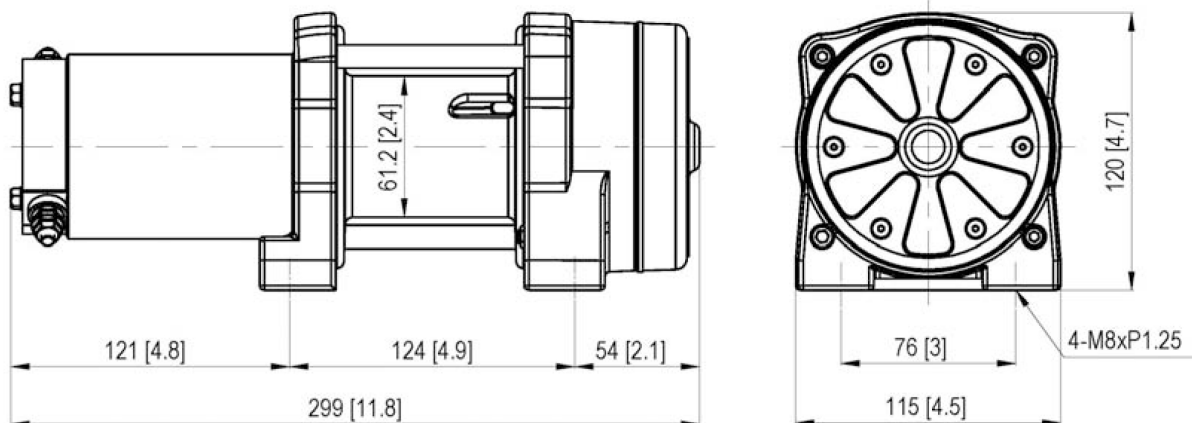
Specifications

- Rated load: 295 kg
- Line speed (1st layer):
 - 12 v 4.3 mpm 25 A @ no load
 - 4.0 mpm 55 A @ full load
 - 24 v 5.0 mpm 15 A @ no load
 - 4.6 mpm 30 A @ full load
- Motor: 800 w / 1.0 hp 12 v / 24 v permanent magnet
- Gear ratio: 3-stage planetary 138.5:1
- Brake: Mechanical spring applied and dynamic motor
- Winch construction: Aluminum die-cast housings and drum.
- Drum size: 61.2 x 105 x 75 L
- Control: Remote control with 5 m lead
- Recommended Wire Rope: Galvanized aircraft A7 x 19
- Size: 3.6 mm x 18.3 m A7 x 19
- Mounting bolts pattern: 124 x 76 mm
- Standard Compliance: CE Machinery Directive 2006/42
CE EMC Directive 2004/108/EC
ANSI B30.5

Line Pull and Rope Capacity

| ROPE LAYER | PULL BY LAYER (KG / LB) | TOTAL ROPE ON DRUM (M) | LINE SPEED & AMP DRAW (1st Layer of Wire Rope on the Drum) | | | | | |
|------------|-------------------------|------------------------|---|------------------|-----|----------|--------------|--------------|
| | | | LINE PULL | LINE SPEED (MPM) | | AMP DRAW | % DUTY CYCLE | |
| | | | KG / LB | 12V | 24V | 12V | 24V | MIN / 10 MIN |
| 1 | 295 / 650 | 4.1 | No Load | 4.3 | 5.0 | 25 | 15 | 3.0 |
| 2 | 266 / 586 | 8.7 | 147 / 320 | 4.2 | 4.8 | 45 | 22 | 2.0 |
| 3 | 241 / 531 | 13.8 | 295 / 650 | 4.0 | 4.6 | 55 | 30 | 1.5 |
| 4 | 221 / 487 | 18.3 | | | | | | |

Dimensions mm/inch



Packaging

- Hoist Weight: 7.7 kg
- Gross Weight: 11.6 kg
- Box Dimensions: 390 x 170 x 300 mm

Accessories

- 3.6mm x 18.3m wire rope and hook with safety latch
- Remote control 5m cord
- Control pack

WARNING!

- Do not use winch to transport, lift or otherwise move personnel.
- The rated line pull shown is based on the first layer of wire rope on the drum.
- The wire rope must remain on the drum at all times with at least 5 wraps.

Warranty

Each new hoist is guaranteed against defects in workmanship and material defects for a period of 12 months from date of purchase.