

DV-12s

12,000 LB/ 5.4 T Self-Recovery Winch



PN 850125 12V
PN 851024 24V

Features Include

- Robust and Reliable electric winch for commercial and recreational applications.
- 3 430 w/ 12V or 1 940 w/ 24V series wound motor.
- Free spool clutch with Stainless Steel T Handle can be rotated to suit various mounting arrangements.
- Hardened steel, 3-stage planetary gear train for efficient and reliable operation.
- Genuine 12-strand Dyneema SK-75 synthetic rope, coated to improve abrasion resistance and provide protection from dirt and grit ingress.
- Water-proof remote control with thermometric LED indicator alerts when the motor is over-heated.
- Mechanical cone brake holds the full load without slipping.
- Submersible sealed contactor handles high amps and allows higher duty cycle.
- Separate solenoid box can be remote mounted leaving a low profile winch ideal for discrete mounting.

Specifications

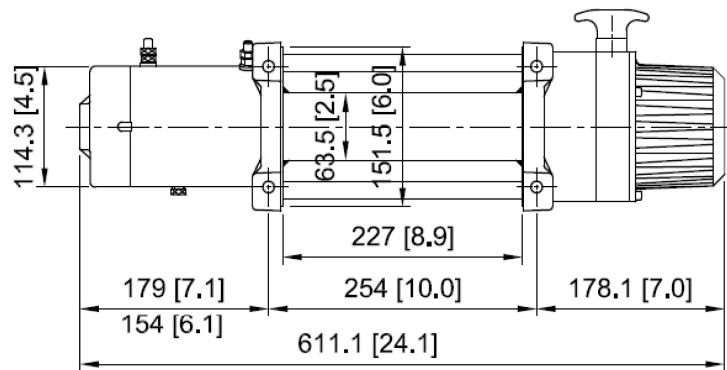
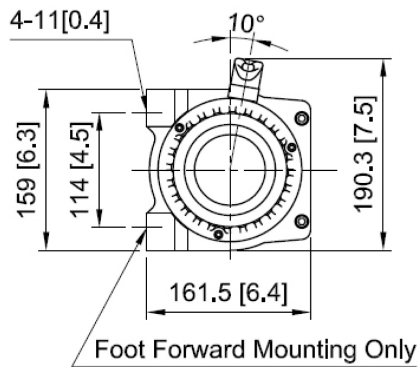
- Rated line pull: 5443 kg single line.
- Line speed (1st layer):
 - 12 v 8 m/m 50 A @ no load
 - 24 v 8 m/m 30 A @ no load
 - 12 v 1.0 m/m 350 A @ full load
 - 24 v 1.0 m/m 210 A @ full load
- Motor:
 - 12 v 3 430 w/ 4.6 hp series wound
 - 24 v 1 940 w/ 2.6 hp series wound
- Gear ratio: 3-stage planetary 211:1
- Clutch (free-spooling): Rotating ring gear.
- Brake (outside the drum): Automatic, full load cone brake.
- Winch construction: Aluminum die-cast housings with steel drum.
- Drum size: 63.5 x 229 mm
- Control: Weather proof 5m remote with thermometric indicator LED
- Rope: Dyneema SK-75 synthetic
- Size: 11 mm x 25 m
- Mounting bolts pattern: 254 x 114 mm
- Mounting: Foot forward mounting only.

Line Pull and Rope Capacity

ROPE LAYER	PULL BY LAYER (KG / LB)	TOTAL ROPE ON DRUM (M)
1	5 443 / 12 000	5.4
2	4 319 / 9 522	12.2
3	3 580 / 7 893	20.5
4	3 056 / 6 737	25.0

LINE SPEED & AMP DRAW (1st Layer of Rope on the Drum)			
LINE PULL	LINE SPEED	AMP DRAW	
(KG / LB)	(MPM)	(12V)	(24V)
No Load	8.0	50	30
1 814 / 4 000	3.0	120	70
3 629 / 8 000	1.5	230	140
4 536 / 10 000	1.2	290	180
5 443 / 12 000	1.0	350	210

Dimensions mm/inch



NB: Neither the roller fairlead nor the solenoid enclosure mount to the winch.

Packaging

- Winch Weight (including rope): 30 kg
- Gross Weight: 36 kg
- Box Dimensions: 650 x 192 x 415 mm

Accessories

- Hawse fairlead
- Remote control 5m cord
- Detachable control box
- 1.8m 2-gauge battery lead
- Synthetic rope w clevis hook
- Hand-saver strap
- Mounting channel (OPTIONAL)
- Snatch block (OPTIONAL)
- Winch accessory kit (OPTIONAL)

WARNING!

- Do not use winch to transport, lift or otherwise move personnel.
- The rated line pull shown is based on the first layer of wire rope on the drum.
- The synthetic rope must remain on the drum at all time with at least 10 wraps.

Warranty

Limited lifetime warranty for mechanical components and one(1) year warranty for electrical components from date of purchase. Wire/Synthetic ropes are not included under warranty.