

DV-6s

6000 lb Self-Recovery Winch



Features Include

- Heavy duty series wound motor delivers superior torque output and faster line speed.
- Lightweight and compact design suitable for a variety of uses.
- Submersible sealed contactor handles high amps and allows higher duty cycle.
- Genuine 12-strand Dyneema SK-75 synthetic rope coated to improve abrasion resistance and provides protection from dirt and grit ingress
- Automatic cone brake, positioned outside the drum holds the full load
- Meets international standards of CE Machinery Directive 2006/42/CE and CE Electromagnetic Compatibility Directive 2004/108/EC.
- 2" rear receiver and quick connector wiring kits for rear of vehicle as option.

Specifications

- Rated line pull: 6000lb (2200kg) single line
- Line speed (1st layer): 8.0 mpm 60 A @ no load
2.0 mpm 300 A @ full load
- Motor: 2 390 w / 3.2 hp 12V, series wound
- Gear ratio: 3-stage planetary 216:1
- Clutch (free-spooling): Rotating ring gear.
- Brake (outside the drum): Automatic, full load cone brake.
- Winch construction: Aluminum die-cast housings with steel drum.
- Drum size: 63.5 x 151 x 125.5
- Control: Waterproof remote w/ 5 m cord
- Rope: Dyneema SK-75 synthetic
- Size: 8 mm x 24.4 m
- Standard Compliance: CE Machinery Directive 2006/42/EC
CE EMC Directive 2004/108/EC

Line Pull and Rope Capacity

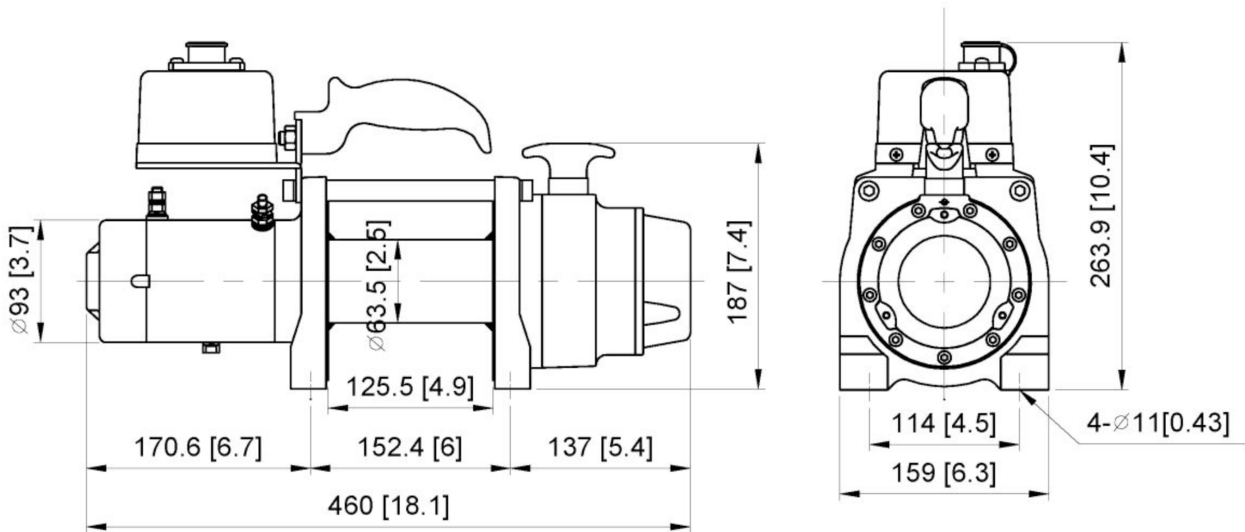
ROPE LAYER	PULL BY LAYER (KG / LB)	TOTAL ROPE ON DRUM (M)
1	2 722 / 6 000	3.8
2	2 266 / 4 995	8.4
3	1 941 / 4 279	13.7
4	1 697 / 3 742	19.8
5	1 508 / 3 325	24.4

LINE SPEED & AMP DRAW

(1st Layer of Rope on the Drum)

LINE PULL (KG / LB)	LINE SPEED (MPM)	AMP DRAW (12V)
No Load	8.0	60
907 / 2 000	5.2	150
1 814 / 4 000	3.1	240
2 722 / 6 000	2.0	300

Dimensions mm/inch



Packaging

- Winch Weight (including rope): 22.9 kg
- Gross Weight: 27.4 kg
- Box Dimensions: 505 x 210 x 340 mm

Accessories

- Synthetic rope 8 mm x 24.4 m w/clevis hook
- Remote control w/ 5 m cord
- Hawse fairlead
- Mounting hardware
- Control box w/ handle

WARNING!

- Do not use winch to transport, lift or otherwise move personnel.
- The rated line pull shown is based on the first layer of wire rope on the drum.
- The wire rope must remain on the drum at all time with at least 10 wraps.

Warranty

Limited lifetime warranty for mechanical components and one(1) year warranty for electrical components from date of purchase. Wire/Synthetic ropes are not included under warranty.