

Cub 3s

3 000 lbs Powersport Winch



PN 129300 12V

Features Include

- Sealed highly efficient low amp draw permanent magnet motor.
- Lightweight and compact design.
- Centre drum winch provides better support, handles side loading, increases strength and performance.
- Mechanical and dynamic brakes for 100% loadholding.
- Cam activated free spool clutch for rapid synthetic rope payout.
- Submersible, sealed contactor handles high amps and allows higher duty cycle.

Specifications

- Rated line pull: 1361 kg (3 000 lb) single line.
- Line speed (1st layer): 6.8 mpm 20A at no load.
2.0 mpm 230A at full load.
- Motor: 800 w / 1.0 hp 12V permanent magnet.
- Gear ratio: 3-stage planetary 138.5:1
- Clutch (free-spooling): Cam activated.
- Brake (outside the drum): Mechanical spring applied and dynamic brakes.
- Winch construction: Aluminum die-cast drum and steel plate housings.
- Drum size: 55 x 75 L
- Control: Handlebar rocker switch.
- Synthetic rope: Dyneema SK75
- Size: 4.8 mm x 15.2 m
- Mounting bolts pattern: 124 mm x 76 mm
- Std Compliance: CE Machinery Directive 2006/42/EC
CE EMC Directive 2004/108/EC

Line Pull and Rope Capacity

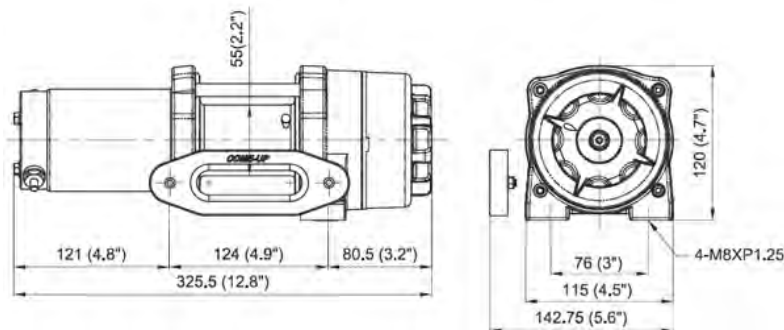
LINE SPEED & AMP DRAW

(1st Layer of Rope on the Drum)

ROPE LAYER	PULL BY LAYER (KG / LB)	TOTAL ROPE ON DRUM (M)
1	1 361 / 3 000	2.8
2	1 173 / 2 585	6.1
3	1 030 / 2 271	9.9
4	918 / 2 025	14.1
5	829 / 1 827	15.2

LINE PULL	LINE SPEED	AMP DRAW
KG / LB	MPM	12V
No Load	6.8	20
454 / 1 000	4.8	75
907 / 2 000	3.0	140
1361 / 3 000	2.0	230

Dimensions mm/inch



Packaging

- Winch Weight: 7.2 kg
- Gross Weight: 11.5 kg
- Box Dimensions: 349 x 331 x 144mm

Accessories

- SK75 rope 4.8 mm x 15.2 m w/safety hook
- Handlebar rocker switch kit
- Hawse Guide
- Detachable control box
- Mounting hardware
- Contactor pack

WARNING!

- Do not use winch to transport, lift or otherwise move personnel.
- The rated line pull shown is based on the first layer of wire rope on the drum.
- The wire rope must remain on the drum at all time with at least 10 wraps.

Warranty

Limited lifetime warranty for mechanical components and one(1) year warranty for electrical components from date of purchase. Wire/Synthetic ropes are not included under warranty.