

# Cub 2s

## 2000 lb Powersport Winch



PN 122012 12V

### Features Include

- Sealed highly efficient low amp draw permanent magnet motor.
- Lightweight and compact design.
- Centre drum winch provides better support, handles side loading, increases strength and performance.
- Mechanical, dynamic brakes for 100% loadholding.
- Cam activated free spool clutch for rapid wire rope payout.
- Dyneema SK-75 12-strand construction synthetic rope, coated to improve abrasion resistance and protect from the ingress of dirt and grit.
- Submersible, sealed contactor handles high amps and allows higher duty cycle.

### Specifications

- Rated line pull: 907 kg ( 2000 lb ) single line.
- Line speed (1st layer): 6.1 mpm 20amps at no load.  
2.0 mpm 150amps at full load.
- Motor: 600 w / 0.8 hp 12V permanent magnet.
- Gear ratio: 3-stage planetary 103:1
- Clutch (free-spooling): Cam activated.
- Brake (outside the drum): Mechanical spring applied dynamic brakes.
- Winch construction: Aluminum die-cast drum and steel plate housings.
- Drum size: 38 x 82 x 75 L
- Control: Handlebar rocker switch.
- Rope: Synthetic SK-75
- Size: 4 mm x 15.2 m
- Mounting bolts pattern: 124 mm x 76 mm
- Std Compliance: CE Machinery Directive 2006/42/EC  
CE EMC Directive 2004/108/EC

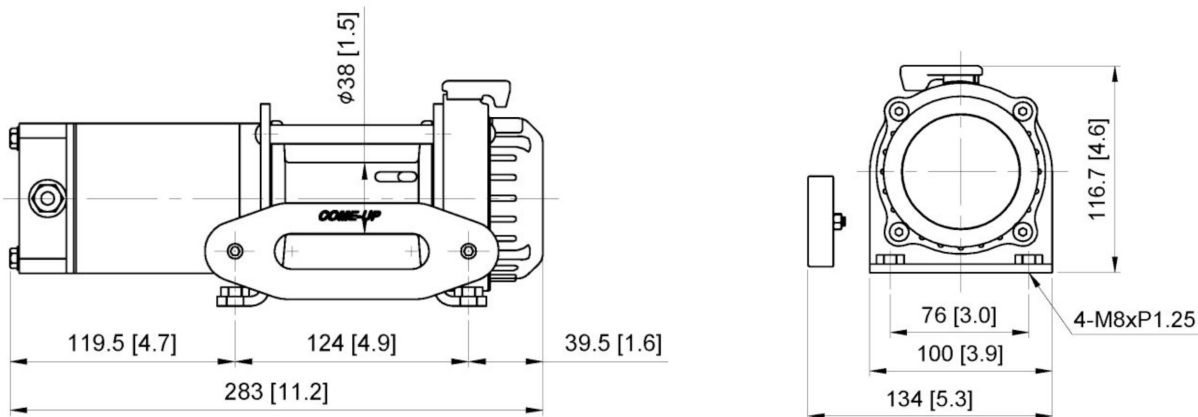
## Line Pull and Rope Capacity

### LINE SPEED & AMP DRAW (1st Layer of Synthetic Rope on the Drum)

ROPE LAYER	PULL BY LAYER (KG / LB)	LINE SPEED (MPM)	TOTAL ROPE ON DRUM (M)
1	907 / 2000	2.0	2.4
2	762 / 1 680	2.4	5.3
3	657 / 1 448	2.8	8.6
4	577 / 1 272	3.2	12.4
5	515 / 1 135	3.6	15.2

LINE PULL	LINE SPEED	AMP DRAW
KG / LB	MPM	12V
No Load	6.1	20
302 / 666	4.6	50
605 / 1 334	3.1	100
907 / 2 000	2.0	150

## Dimensions mm/inch



## Packaging

- Winch Weight: 5.2 kg
- Gross Weight: 10 kg
- Box Dimensions: 296 x 223 x 140 mm

## Accessories

- Synthetic rope 4 mm x 15.2 m w/safety hook
- Handlebar rocker switch kit
- Hawse fairlead
- Mounting hardware
- Handlebar hardware
- Contactor pack

## WARNING!

- Do not use winch to transport, lift or otherwise move personnel.
- The rated line pull shown is based on the first layer of wire rope on the drum.
- The wire rope must remain on the drum at all time with at least 10 wraps.

## Warranty

Limited lifetime warranty for mechanical components and 1-year warranty for electrical components from date of purchase. Wire/Synthetic ropes are not included under warranty.