

# Cub 2

## 2000 lbs Powersport Winch



PN 122012 12V

### Features Include

- Sealed highly efficient low amp draw permanent magnet motor.
- Lightweight and compact design.
- Centre drum winch provides better support, handles side loading, increases strength and performance.
- Mechanical and dynamic brakes for 100% loadholding.
- Cam activated free spool clutch for rapid wire rope payout.
- Submersible, sealed contactor handles high amps and allows higher duty cycle.

### Specifications

- Rated line pull: 907 kg (2000 lb) single line.
- Line speed (1st layer): 6.1 mpm 20A at no load.  
2.0 mpm 150A at full load.
- Motor: 600 w / 0.8 hp 12V permanent magnet.
- Gear ratio: 3-stage planetary 103:1
- Clutch (free-spooling): Cam activated.
- Brake (outside the drum): Mechanical spring applied and dynamic brakes.
- Winch construction: Aluminum die-cast drum and steel plate housings.
- Drum size: 38 x 82 x 75 L
- Control: Handlebar rocker switch.
- Wire rope: Galvanised aircraft A7 x 19
- Size: 4 mm x 15.2 m
- Mounting bolts pattern: 124 mm x 76 mm
- Std Compliance: CE Machinery Directive 2006/42/EC  
CE EMC Directive 2004/108/EC

## Line Pull and Rope Capacity

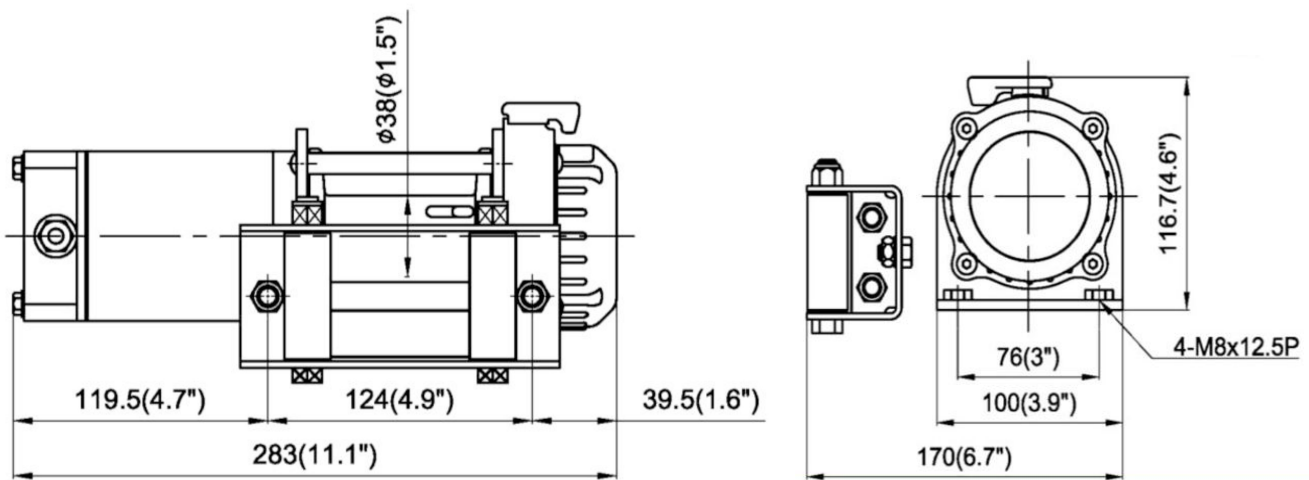
### LINE SPEED & AMP DRAW

(1st Layer of Rope on the Drum)

| ROPE LAYER | PULL BY LAYER (KG / LB) | LINE SPEED (MPM) | TOTAL ROPE ON DRUM (M) |
|------------|-------------------------|------------------|------------------------|
| 1          | 907 / 2000              | 2.0              | 2.4                    |
| 2          | 762 / 1 680             | 2.4              | 5.3                    |
| 3          | 657 / 1 448             | 2.8              | 8.6                    |
| 4          | 577 / 1 272             | 3.2              | 12.4                   |
| 5          | 515 / 1 135             | 3.6              | 15.2                   |

| LINE PULL   | LINE SPEED | AMP DRAW |
|-------------|------------|----------|
| KG / LB     | MPM        | 12V      |
| No Load     | 6.1        | 20       |
| 302 / 666   | 4.6        | 50       |
| 605 / 1 334 | 3.1        | 100      |
| 907 / 2 000 | 2.0        | 150      |

## Dimensions mm/inch



## Packaging

- Winch Weight: 5.2 kg
- Gross Weight: 10 kg
- Box Dimensions: 296 x 223 x 140 mm

## Accessories

- Wire rope 4 mm x 15.2 m w/safety hook
- Handlebar rocker switch kit
- Roller fairlead
- Detachable control box
- Mounting hardware
- Contactor pack

## WARNING!

- Do not use winch to transport, lift or otherwise move personnel.
- The rated line pull shown is based on the first layer of wire rope on the drum.
- The wire rope must remain on the drum at all time with at least 5 wraps.

## Warranty

Limited lifetime warranty for mechanical components and one(1) year warranty for electrical components from date of purchase. Wire/Synthetic ropes are not included under warranty.