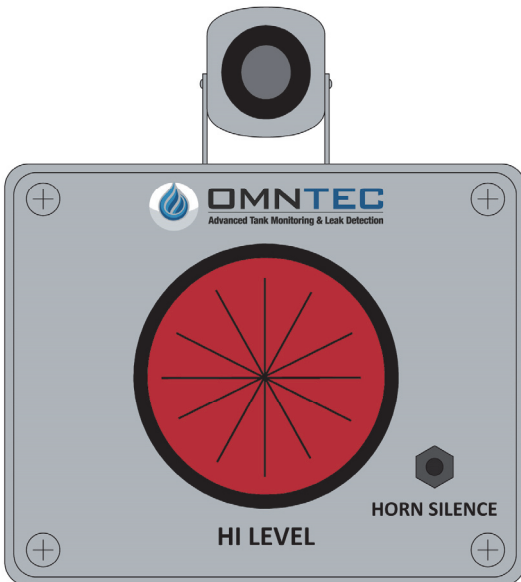




1. Open the camera app
2. Focus the camera on the QR code by gently tapping the code
3. Follow the instructions on the screen to view PDF file

RAS-NYS SERIES

SUPPLEMENTAL WIRING INSTRUCTIONS FOR OEL8000II CONTROLLERS



REMOTE OVERFILL ANNUNCIATORS

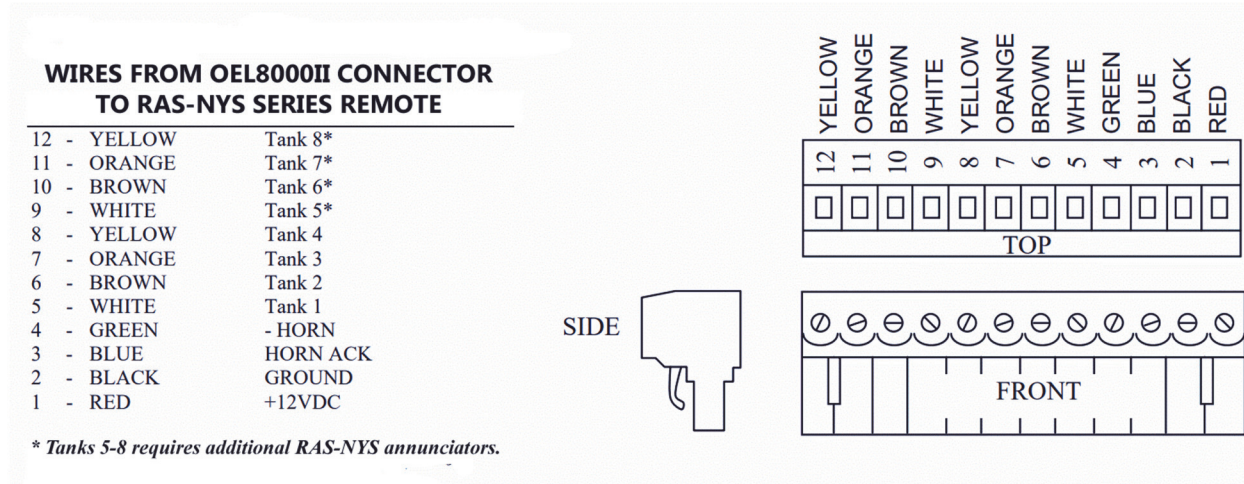
Revision 2347

Document No. 500192

WIRING INSTRUCTIONS

OMNTEC Manufacturing, Inc. has upgraded the RAS-NYS series remote annunciators with a more energy-efficient LED strobe light. This new strobe light requires the use of a load resistor to maintain stable and functional operation.

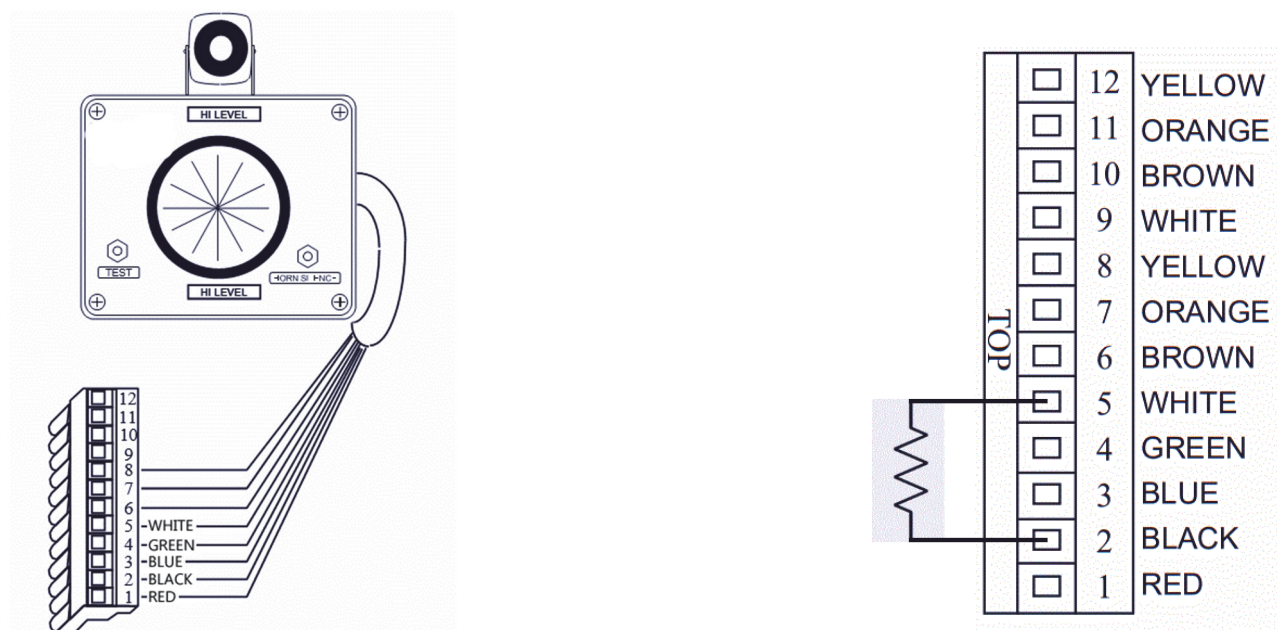
Below is the wiring chart for the 12-pin connector installed on the IB-RAS board of the OEL8000II.



The following steps will outline the installation of the load resistor(s) for the various RAS-NYS models. *Be sure to test the RAS-NYS after this installation to confirm functionality of the strobe light and horn.*

RAS-1-NYS: SINGLE UNIT, OR TWO UNITS, IN PARALLEL.

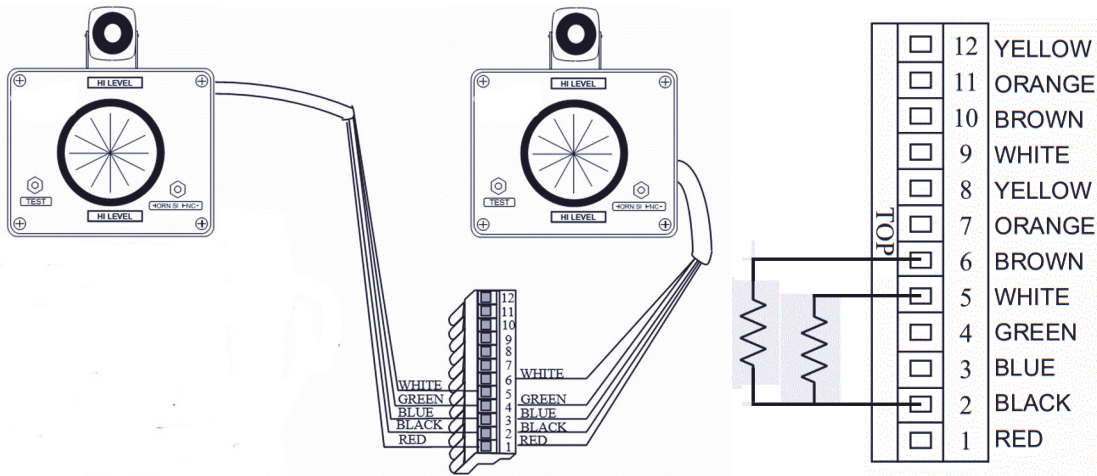
Install a 3k Ohm resistor across pins 2 and 5.



WIRING INSTRUCTIONS

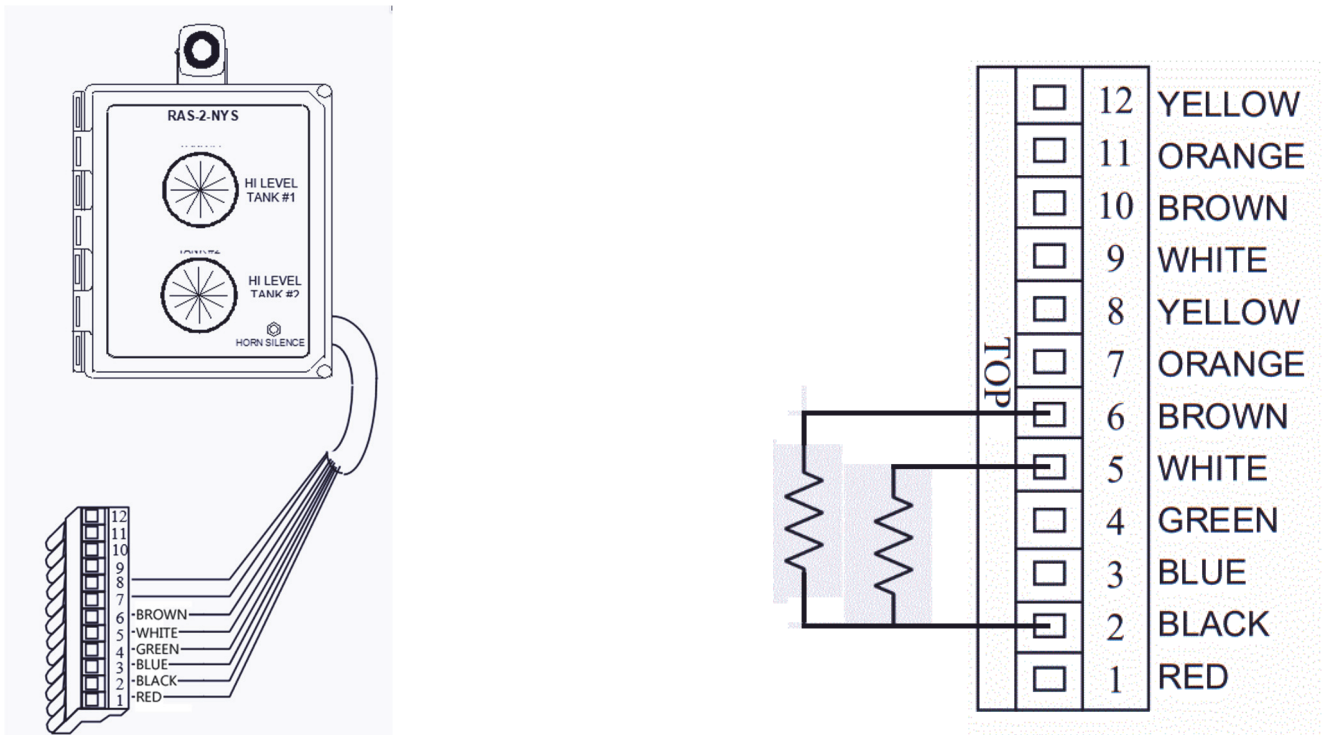
RAS-1-NYS: TWO SINGLE UNITS MONITORING SEPARATE TANKS.

Install 3k Ohm resistors across pins 2 and 5, and pins 2 and 6.



RAS-2-NYS: SINGLE UNIT.

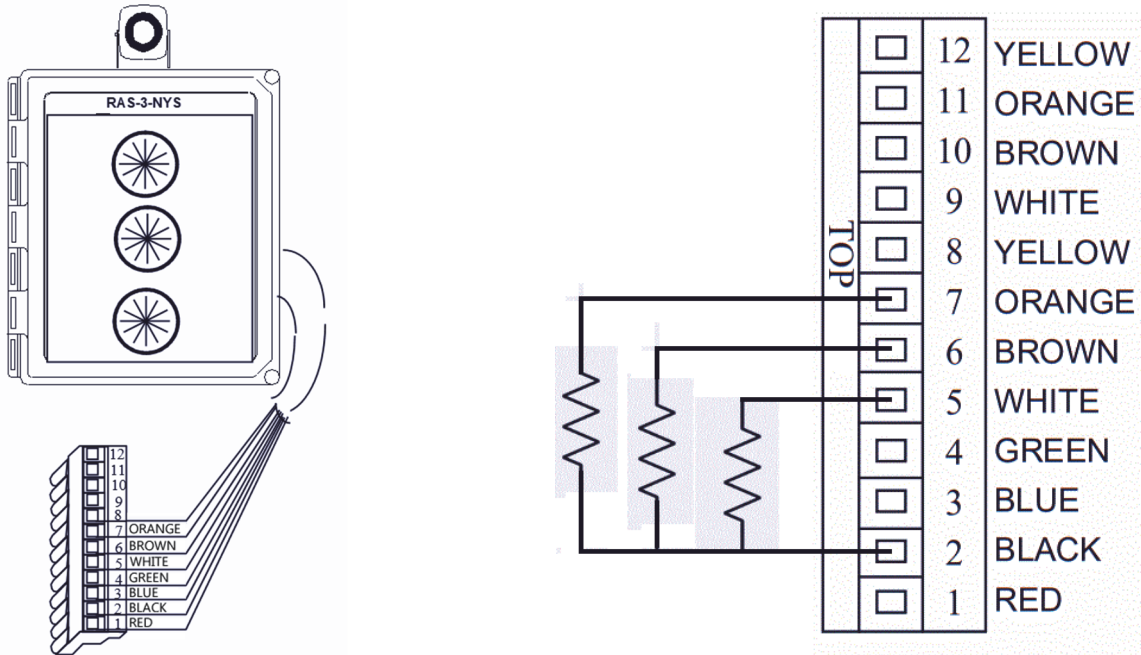
Install 3k Ohm resistors across pins 2 and 5, and pins 2 and 6.



WIRING INSTRUCTIONS

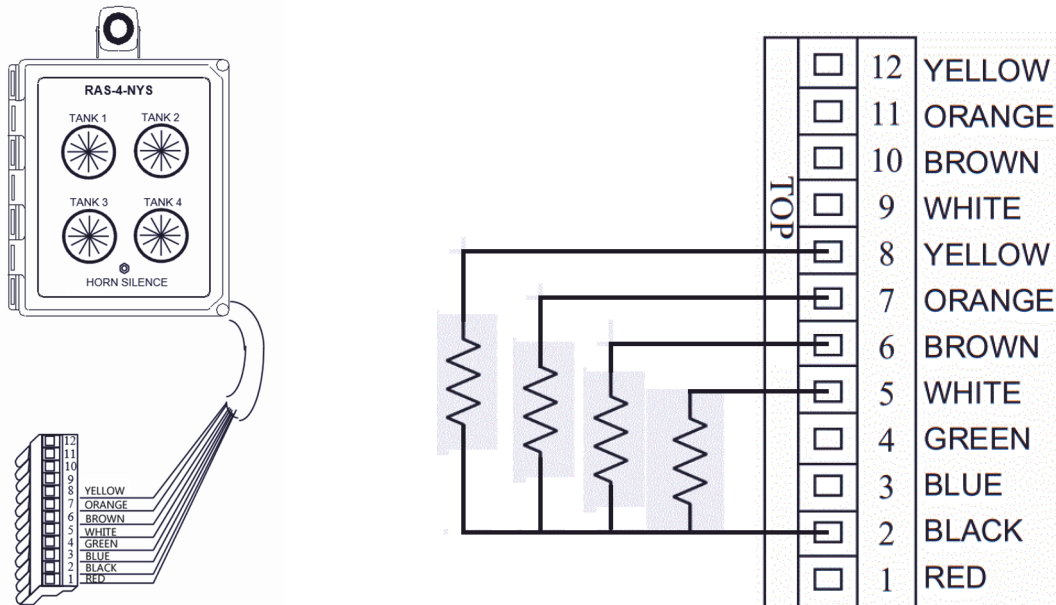
RAS-3-NYS: SINGLE UNIT.

Install 3k Ohm resistors across pins 2 and 5, pins 2 and 6, and pins 2 and 7.



RAS-4-NYS: SINGLE UNIT.

Install 3k Ohm resistors across pins 2 and 5, pins 2 and 6, pins 2 and 7, and pins 2 and 8.



For Tanks 5 through 8 applications using additional RAS-NYS annunciators, repeat the above with 3k Ohm resistors going from pin 2 to pin 9 (Tank 5), pin 10 (Tank 6), pin 11 (Tank 7), and pin 12 (Tank 8).