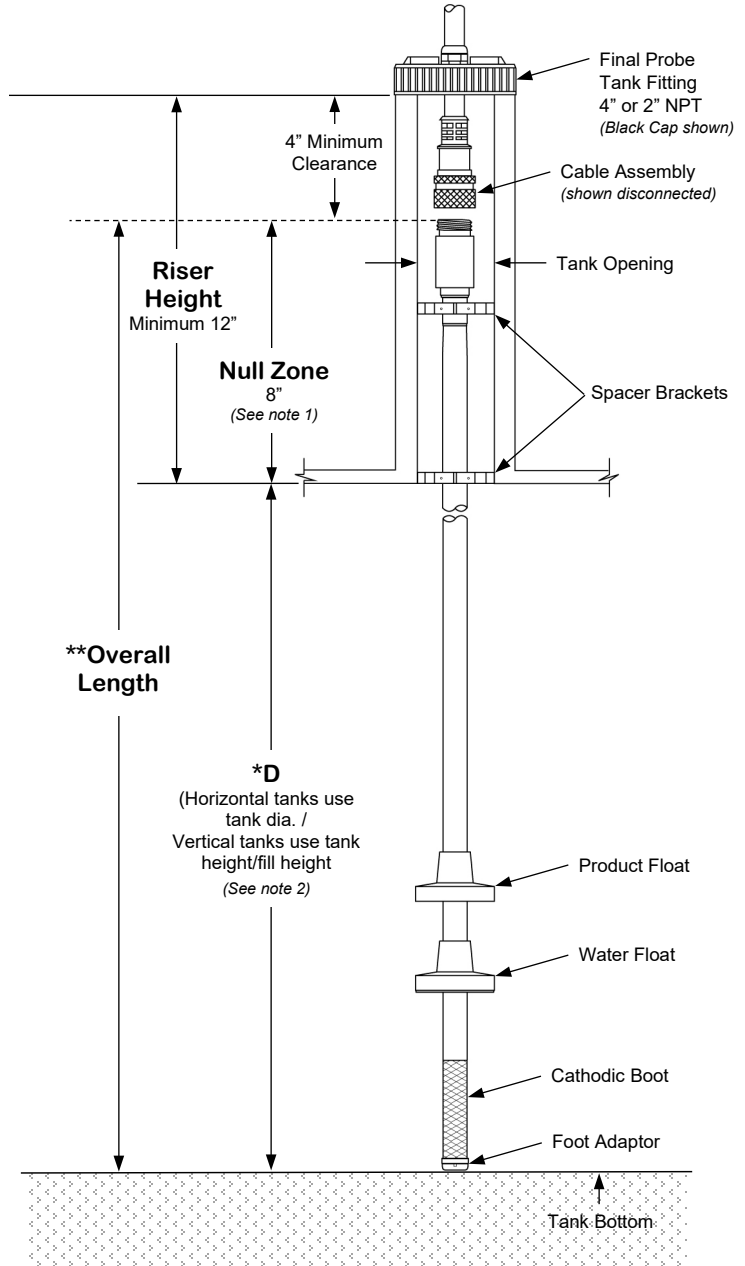


MTG-RS WIRED RIGID PROBE DIMENSION APPROVAL

CUSTOMER
SO #
CUSTOMER PO #
QUANTITY
PRODUCT
FLOATS
<input type="checkbox"/> 1 Float (F1) product only
<input type="checkbox"/> 2 Floats (F2) product and water
TANK OPENING
<input type="checkbox"/> 2 inch
<input type="checkbox"/> 4 inch
TEMPERATURE SENSORS
<input type="checkbox"/> 1 Temperature Sensor (R1)
<input type="checkbox"/> 5 Temperature Sensors (R5)
DIMENSIONS SUPPLIED BY CUSTOMER
D = <input style="width: 50px; height: 20px;" type="text"/>
*Round D dimension to nearest inch
**Overall Length = D dimension + 12"



Note 1: Level cannot be detected within the dead band or null zone.
 Note 2: Temperature sensors are spaced equally over active span.
 Note 3: MTG-RS maximum length is 288 inches.

Name: _____
 Signature: _____

Company: _____
 Date: _____

The signature above confirms the buyer's acceptance of all the dimensions contained in this document and authorizes OMNTEC to release order for production.

***** CUSTOM PARTS ARE NON-CANCELLABLE AND NON-RETURNABLE *****

Note: Current published specifications are subject to change without notification. Verify specifications with manufacturer.