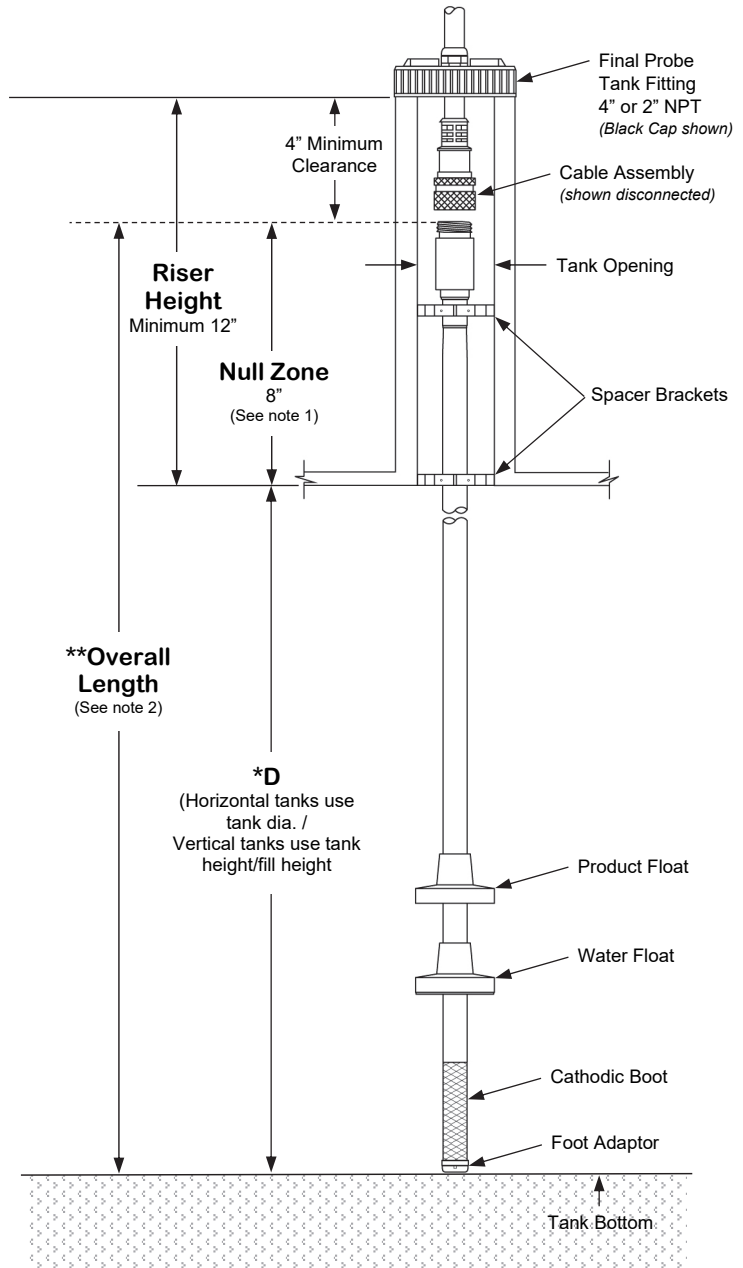


MDA-RS WIRED RIGID 4-20 PROBE DIMENSION APPROVAL

CUSTOMER
SO #
CUSTOMER PO #
QUANTITY
PRODUCT
TANK OPENING
<input type="checkbox"/> 2 inch <input type="checkbox"/> 4 inch
DIMENSIONS SUPPLIED BY CUSTOMER
D = <input style="width: 50px; height: 20px;" type="text"/>
*Round D dimension to nearest inch
**Overall Length = D dimension + 12"



Note 1: Level cannot be detected within the dead band or null zone.
Note 2: MDA-RS maximum length is 288 inches.

Name: _____
Signature: _____

Company: _____
Date: _____

The signature above confirms the buyer's acceptance of all the dimensions contained in this document and authorizes OMNTEC to release order for production.

***** CUSTOM PARTS ARE NON-CANCELLABLE AND NON-RETURNABLE *****

Note: Current published specifications are subject to change without notification. Verify specifications with manufacturer.