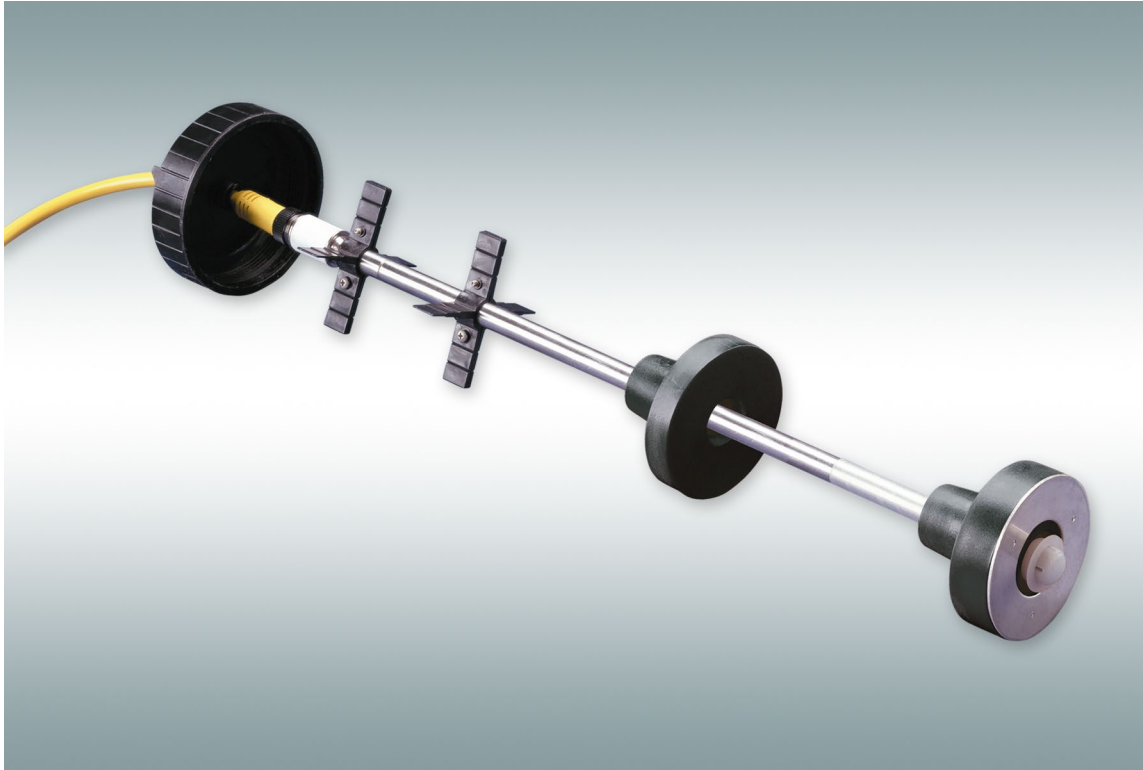




Magnetostrictive Tank Gauging Probe In Tank Leak Detection

Part Number: **MTG-RS-R5F(X)**
Series

(X) indicates how many floats probe can accept (1 or 2)



Description

The magnetostrictive tank-gauging (MTG-RS-R5F(X) Series) probe utilizes magnetostrictive technology to provide users with the same level of reliability, durability and cost-effectiveness they expect with all OMNTEC products. The MTG-RS-R5F(X) Series probe used with OMNTEC's tank gauging controllers monitors product levels, water levels and temperature in both underground and aboveground tank applications.

The MTG-RS-R5F(X) Series probe monitors the following conditions: high-product level, low-product level and high-water level. To provide the greatest flexibility of use, the probe's shaft is 316 grade stainless-steel and the floats are available in a variety of materials and sizes.

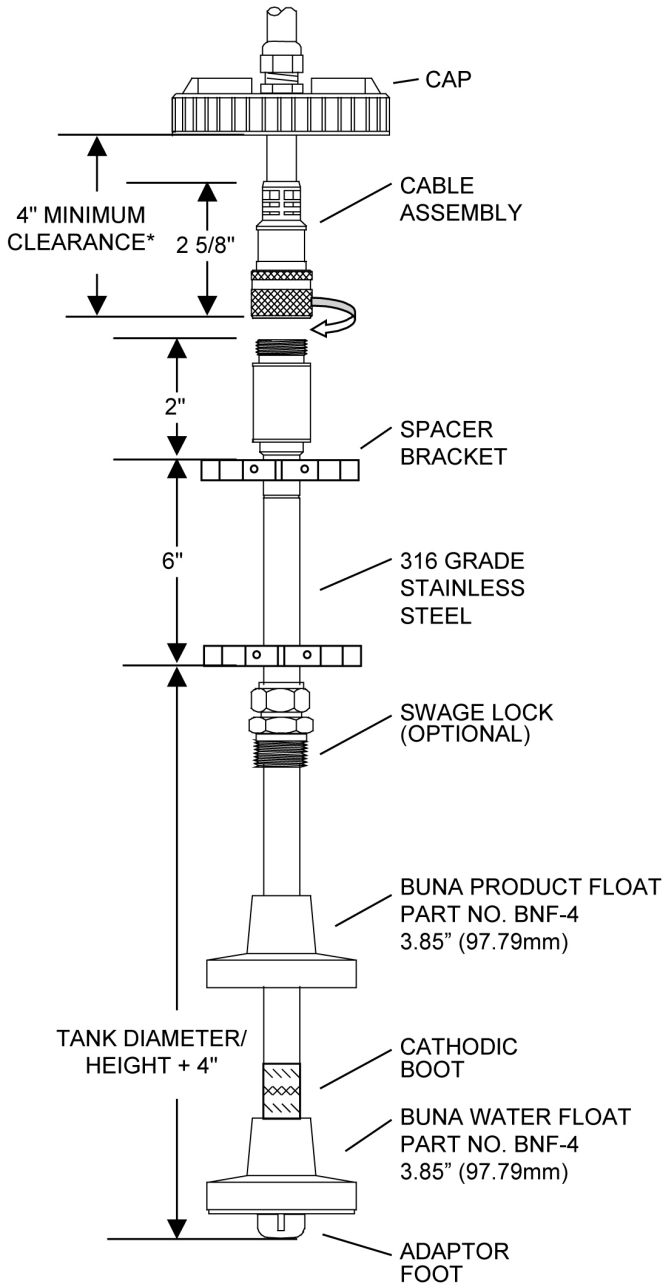
The MTG-RS-R5F(X) Series probe is ruggedly constructed to provide reliable and cost-effective performance.

Features

- Patented reflection technique for reliability
- Durable tube-in-tube construction
- High signal-to-noise ratio
- Fast, accurate update
- Float options
- Available in single or dual float configurations
 - **F2** Product and water float capable
 - **F1** Product float only capable
- Custom lengths
- Intrinsically safe
- Cost-effective
- VLD (Volumetric Leak Detection) and CITLD (Continuous Leak Detection) capable

Magnetostrictive Tank Gauging Probe In Tank Leak Detection

Part No. MTG-RS-R5FOX Series



Float Options



Specifications	
Enclosure (probe):	NEMA 4, IP68
Input Power:	28 VDC +/-10%
Probe Length:	Up to 24 feet (7.3m) <i>Consult factory for lengths over 24 feet.</i>
Accuracy:	0.010 inches (0.2540mm) inventory mode 0.001 inches (0.0254mm) leak-detection mode
Linearity	+/- 0.01% of full scale or +/- 0.010 inches (0.254mm), whichever is greater
Repeatability:	+/- 0.001% of full scale or +/- 0.00025 inches (.00635mm), whichever is greater
Temperature Measurement:	6 temperature-sensing devices
Temperature Accuracy:	+/- 0.9° F from 14° F to +185° F +/- 0.5° C from -10° C to +85° C
Temperature Measurement Resolution:	+/- 0.01° F (.00556° C)
Temperature Sensing Range:	-40° to 150° F (-40° C to 66° C)
Operating Temperature Range:	-40° to 160° F (-40° C to 71° C)
Probe Output:	Digital over 2 wires
Distance to Monitor:	Probe cable must be EC-2 (Belden #8761) up to 1,000 feet (305m). <i>Consult factory for lengths over 1,000 feet.</i>
Pressure Rating:	Up to 500 psi (35Kg/cm2)(float-dependent)
Floats:	Specs based on 4-inch standard
Compatible Controllers:	OEL8000 & OEL8000II PROTEUS Series: OEL8000III-B, OEL8000III-K, OEL8000III-X
Weight:	19 lb. (8.62 kg) (<i>approximated based on packaged 10ft. probe</i>)
Accessories:	SL-34 Swage lock (probe-head isolation for chemical applications) 2" Float Kit Options Kit includes: float(s), 6' yellow cable, spacers, 2" cap, SK-4 sealing kit, white clips and cathodic boot BFK2-85 2" Buna N float kit for gas BFK2-95 2" Buna N float kit for diesel BFK2-OWS 2" Buna N float kit for OWS tanks BFK2-SF 2" Buna N float kit single float SSFK2-85 2" 316 stainless steel float kit for gas SSFK2-95 2" 316 stainless steel float kit for diesel SSFK2-SF 2" 316 stainless steel float kit single float 4" Float Kit Options Kit includes: float(s), 6' yellow cable, spacers, 4" cap, SK-4 sealing kit, white clips and cathodic boot BFK4-85 4" Buna N float kit for gas BFK4-95 4" Buna N float kit for diesel BFK4-OWS 4" Buna N float kit for OWS tanks BFK4-SF 4" Buna N float kit single float SSFK4-85 4" 316 stainless steel float kit for gas SSFK4-95 4" 316 stainless steel float kit for diesel SSFK4-SF 4" 316 stainless steel float kit single float
Approvals:	UL-listed, CUL-listed, CE-listed

Specifications subject to change without notice, verify with manufacturer.