

XB-RB8 Relay Interface Board Installation

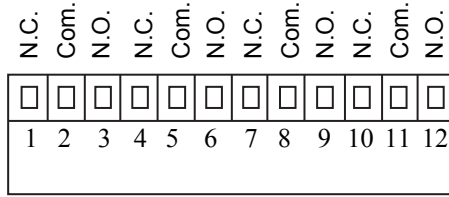
Dry contacts rated at 120VAC @ 5 amps resistive

1. Attach wires to the top of the removable connector.

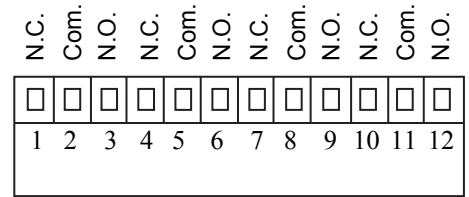
XB-RB8 In an energized unalarmed state:
(Defaulted in failsafe mode, non-failsafe mode will reverse all N.O. and N.C. contacts.)

Relay Outputs #1 - #4		
1	- Normally Closed	
2	- Common	R1
3	- Normally Open	
4	- Normally Closed	
5	- Common	R2
6	- Normally Open	
7	- Normally Closed	
8	- Common	R3
9	- Normally Open	
10	- Normally Closed	
11	- Common	R4
12	- Normally Open	

Relay Outputs #5 - #8		
1	- Normally Closed	
2	- Common	R5
3	- Normally Open	
4	- Normally Closed	
5	- Common	R6
6	- Normally Open	
7	- Normally Closed	
8	- Common	R7
9	- Normally Open	
10	- Normally Closed	
11	- Common	R8
12	- Normally Open	



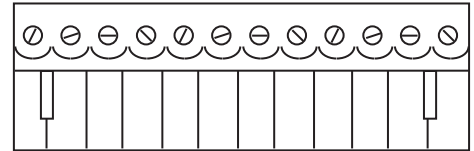
CONNECTOR RELAY OUTPUTS #1 - #4



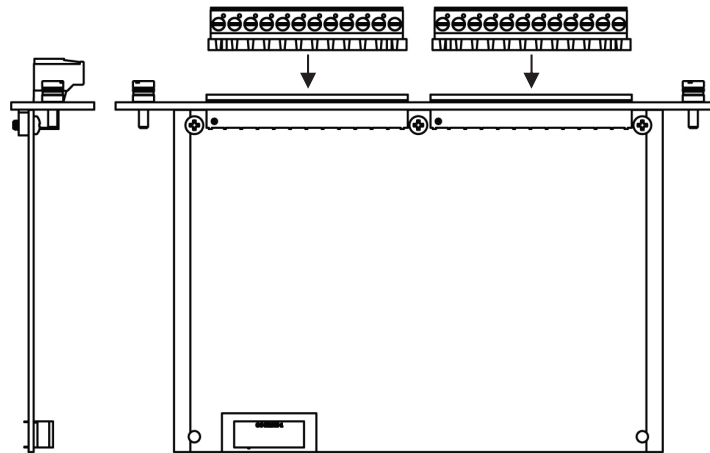
CONNECTOR RELAY OUTPUTS #5 - #8



CONNECTOR SIDE VIEW



CONNECTOR FRONT VIEW



XB-RB8 SIDE VIEW

2. Insert XB-RB8 interface board into designated card slot in OEL8000III.

To program relay trigger points refer to the OEL8000III Programming Manual

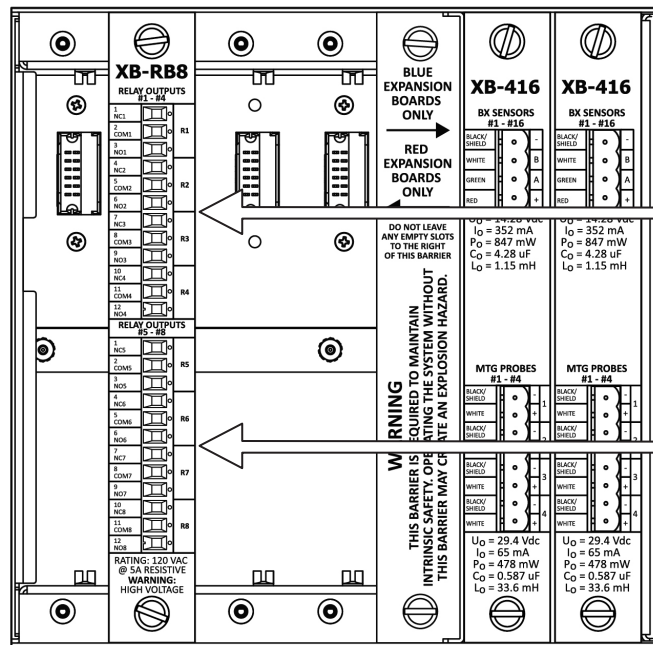
NOTE: Once a card is programmed, moving it to a different slot may require reprogramming of card.



WARNING

Remove all power to the controller and to all wires entering the controller panel before doing any installation or servicing. Failure to comply will create an electric shock or explosion hazard that can result in death, personal injury, or property damage.

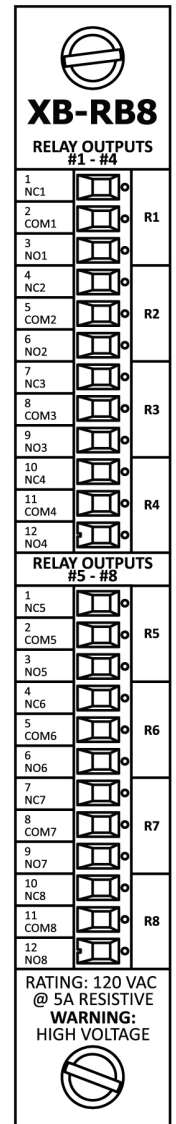
3. Attach removable connectors to XB-RB8 (The XB-RB8 should already be inserted into the card slot in the OEL8000III).



SLOT #7

INSIDE PROTEUS X

SLOT #1



XB-RB8 FRONT VIEW