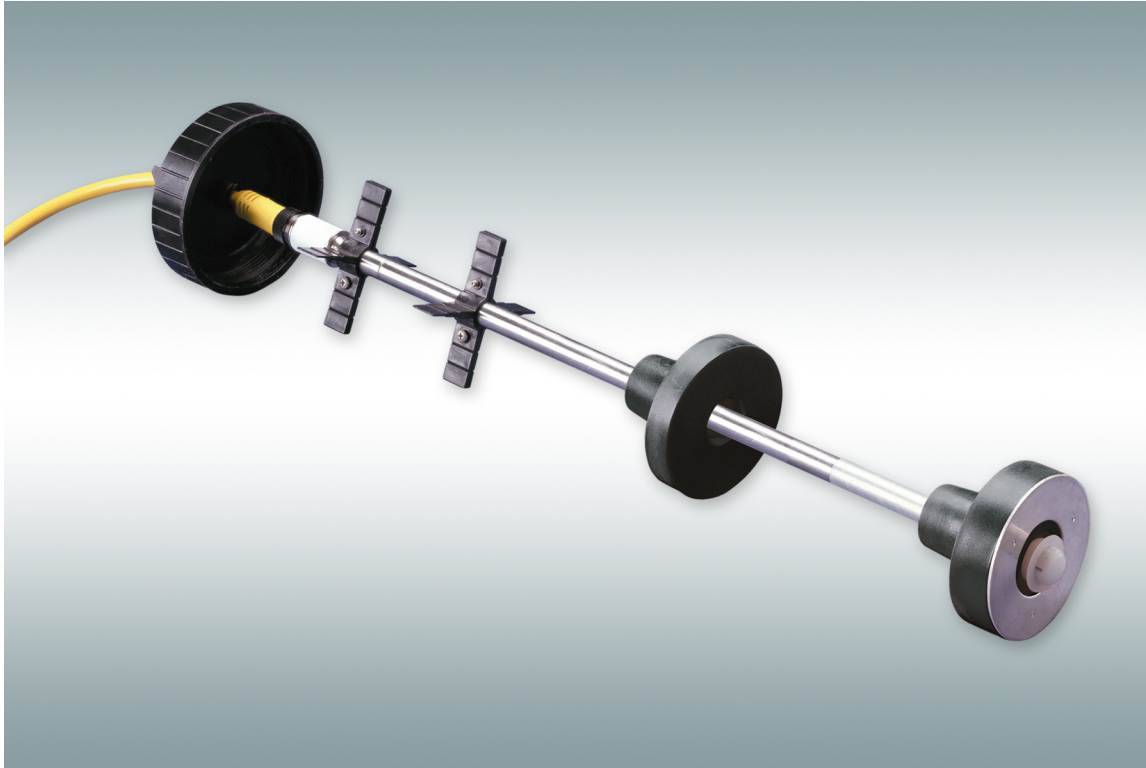




# Magnetostrictive Tank Gauging Probe

**Part Number:** MTG-4  
MTG-6  
MTG-8  
MTG-10



## Description

The magnetostrictive tank-gauging (MTG) probe utilizes magnetostrictive technology to provide users with the same level of reliability, durability and cost-effectiveness they expect with all OMNTEC products. The MTG probe used with OMNTEC's tank gauging controllers monitors product levels, water levels and temperature in both underground and aboveground tank applications.

The MTG probe monitors the following conditions: high-product level, low-product level and high-water level. To provide the greatest flexibility of use, the probe's shaft is stainless steel and the floats are available in a variety of materials and sizes. Other major benefits of OMNTEC's MTG probe is that it comes in a number of lengths and in a flexible-shaft option. The number in the probe part number indicates the shaft length and corresponds to tank diameter.

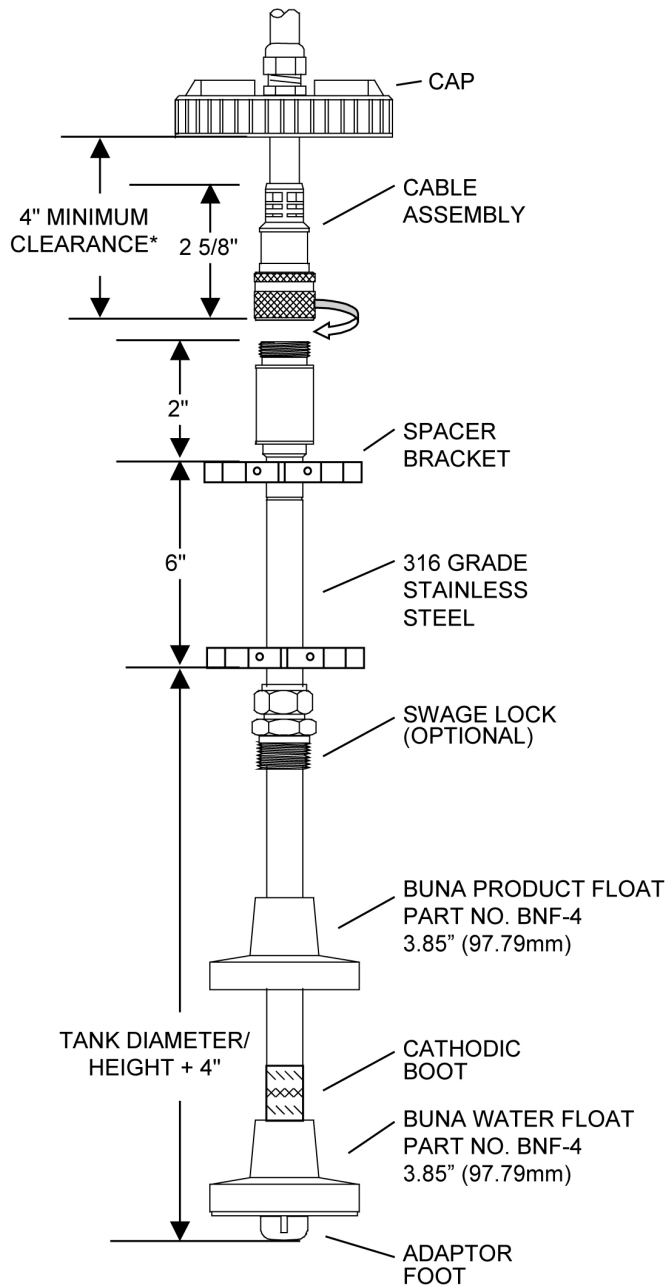
The MTG probe is ruggedly constructed to provide reliable and cost-effective performance.

## Features

- Patented reflection technique for reliability
- Durable tube-in-tube construction
- High signal-to-noise ratio
- Fast, accurate update
- Float options
- Custom lengths
- Intrinsically safe
- Cost-effective
- Flexible shaft (optional)

# Magnetostrictive Tank Gauging Probe

## Part No. MTG-\*



Specifications	
Enclosure (probe):	NEMA 4, IP68
Input Power:	28 VDC +/-10%
Probe Length:	Up to 24 feet (7.3m) <i>Consult factory for lengths over 24 feet.</i>
Accuracy:	0.010 inches (0.2540mm) inventory mode 0.001 inches (0.0254mm) leak-detection mode
Linearity	+/- 0.01% of full scale or +/- 0.010 inches (0.254mm), whichever is greater
Repeatability:	+/- 0.001% of full scale or +/- 0.00025 inches (.00635mm), whichever is greater
Temperature Measurement:	6 temperature-sensing devices
Temperature Accuracy:	+/- 0.9° F from 14° F to +185° F +/- 0.5° C from -10° C to +85° C
Temperature Measurement Resolution:	+/- 0.01° F (.00556° C)
Temperature Sensing Range:	-40° to 150° F (-40° C to 66° C)
Operating Temperature Range:	-40° to 160° F (-40° C to 71° C)
Probe Output:	Digital over 2 wires
Distance to Monitor:	Probe cable must be EC-2 (Belden #8761) up to 1,000 feet (305m). <i>Consult factory for lengths over 1,000 feet.</i>
Pressure Rating:	Up to 500 psi (35Kg/cm2)(float-dependent)
Floats:	Specs based on 4-inch standard
Compatible Controllers:	OEL8000 & OEL8000II <b>PROTEUS Series:</b> OEL8000III-B, OEL8000III-K, OEL8000III-X
Weight:	19 lb. (8.62 kg) <i>(approximated based on packaged 10ft. probe)</i>
Accessories:	SL-34 Swage lock (probe-head isolation for chemical applications) <b>2" Float Kit Options</b> Kit includes: float(s), 6' yellow cable, spacers, 2" cap, SK-4 sealing kit, white clips and cathodic boot BFK2-85 2" Buna N float kit for gas BFK2-95 2" Buna N float kit for diesel BFK2-OWS 2" Buna N float kit for OWS tanks BFK2-SF 2" Buna N float kit single float SSFK2-85 2" 316 stainless steel float kit for gas SSFK2-95 2" 316 stainless steel float kit for diesel SSFK2-SF 2" 316 stainless steel float kit single float <b>4" Float Kit Options</b> Kit includes: float(s), 6' yellow cable, spacers, 4" cap, SK-4 sealing kit, white clips and cathodic boot BFK4-85 4" Buna N float kit for gas BFK4-95 4" Buna N float kit for diesel BFK4-OWS 4" Buna N float kit for OWS tanks BFK4-SF 4" Buna N float kit single float SSFK4-85 4" 316 stainless steel float kit for gas SSFK4-95 4" 316 stainless steel float kit for diesel SSFK4-SF 4" 316 stainless steel float kit single float

*Specifications subject to change without notice, verify with manufacturer.*