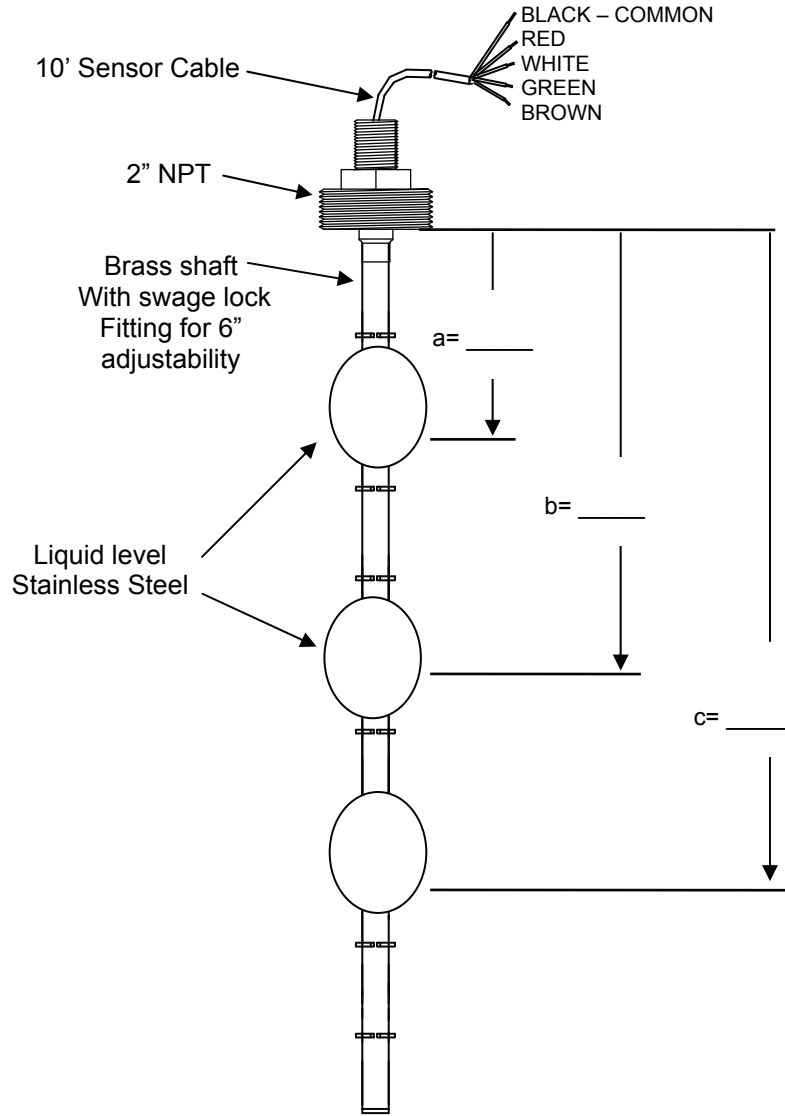


LF-3-SS-SL SENSOR DIMENSION

APPROVAL SHEET

CUSTOMER
PO#
SO#
SHIP DATE
QUANTITY
PRODUCT



Dimensions should be calculated from the top of the tank or riser down to the required alarm level(s) in inches. Be sure to take into account any riser pipes or manway risers.

Wiring Color Code*	
Common	BLACK
LEVEL 1	RED
LEVEL 2	YELLOW
LEVEL 3	BLUE
LEVEL 4	BROWN
LEVEL 5	ORANGE
LEVEL 6	GRAY

* Colors subject to change. Consult factory or controller connection diagram

Name: _____

Company: _____

Signature: _____

Date: _____

Signature is required to release product to production