

FLANGED AXIAL CHECK VALVE

TECHNICAL PASSPORT

FLANGED PN16 AXIAL CHECK VALVE CAST IRON BODY

CA 3241

APPLICATION

Non-return check valve.

Area of use: Industries, fluid pumping, water supply, hydraulic networks, etc.



Fluids: clear water, uncharged liquids, non-corrosive products, etc



GENERAL CHARACTERISTICS

Range: from DN50 to DN300.

- Non -return valve in cast iron all positions.
- Simple axial guidance prevents blocking of the disc.
- Mounting direction is indicated on the body by an arrow.
- Low cracking pressure.
- Low head losses.
- Simple installation and use.
- Stainless steel return spring for mounting in any position.
- Sealing ensured by flat nitrile gasket.

STANDARDS

Design	Design according to EN 16767, ASME B16.1, ASME B16.42.
Connection	Flanges drilled according to EN 1092-2 and DIN 2501/1 : ISO PN16.
Tests	Pressure test according to standards EN12266-1, DIN 3230 and ISO 5208: Body : 24 bar Seat : 17.6 bar

PRODUCT APPROVALS

ERC

Tecofi France

83 rue Marcel Mérieux - 69960 Corbas
Tél. +33 (0)4 72 79 05 79 - Fax. +33 (0)4 78 90 19 19
E-mail : sales@tecofi.fr - www.tecofi.fr

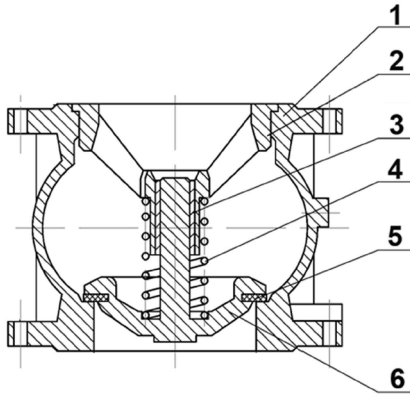


FLANGED AXIAL CHECK VALVE

TECHNICAL PASSPORT

CA 3241

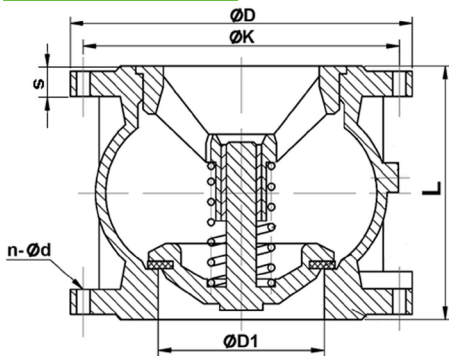
CONSTRUCTION



Component	Coating
Body	Epoxy powder RAL 5017 thickness 150µm

Pos.	Description	Material
1	Body	Cast iron EN-GJL-250
2	Guide	Ductile iron EN-GJS-400-15
3	Closing system	Brass
4	Spring	Stainless steel 316
5	Gasket	NBR
6	Disc	Ductile iron EN-GJS-400-15

DIMENSIONS

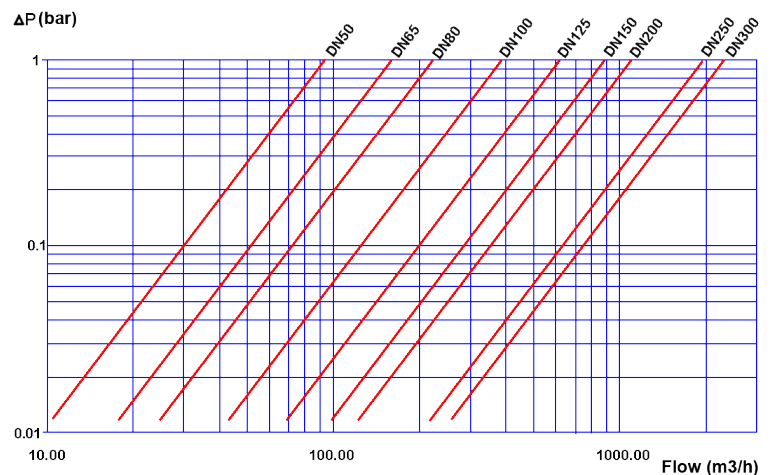


DN		L	ØD1	ØD	Ø K	S	n x Ød	Weight (kg)
mm	inch							
50	2"	100	50	165	125	17	4 x 19	5,09
65	2 1/2"	120	65	185	145	17	4 x 19	7,85
80	3"	140	80	200	160	19	8 x 19	9,53
100	4"	170	101	220	180	21	8 x 19	13,2
125	5"	200	127	250	210	23	8 x 19	20,5
150	6"	230	145	285	240	23	8 x 23	29,6
200	8"	300	194	340	295	27	12 x 23	47,3
250	10"	370	245	405	355	29	12 x 28	68
300	12"	410	300	460	410	29	12 x 28	112

WORKING CONDITIONS

Maximum working pressure : 16 bar
Maximum working temperature : +80°C

HEAD LOSS DIAGRAMM



! During the mounting it is recommended to maintain a distance of 3 to 5 times the minimal diameter upstream and downstream of an elbow or appliance. This makes it possible to stay out of areas of turbulence likely to increase the risk of wear.

At the discharge of a pump it is advisable to carry out the assembly in accordance with the **FD CEN/TR 13932** standards

Tecofi France

83 rue Marcel Mérieux - 69960 Corbas
Tél. +33 (0)4 72 79 05 79 - Fax. +33 (0)4 78 90 19 19
E-mail : sales@tecofi.fr - www.tecofi.fr

