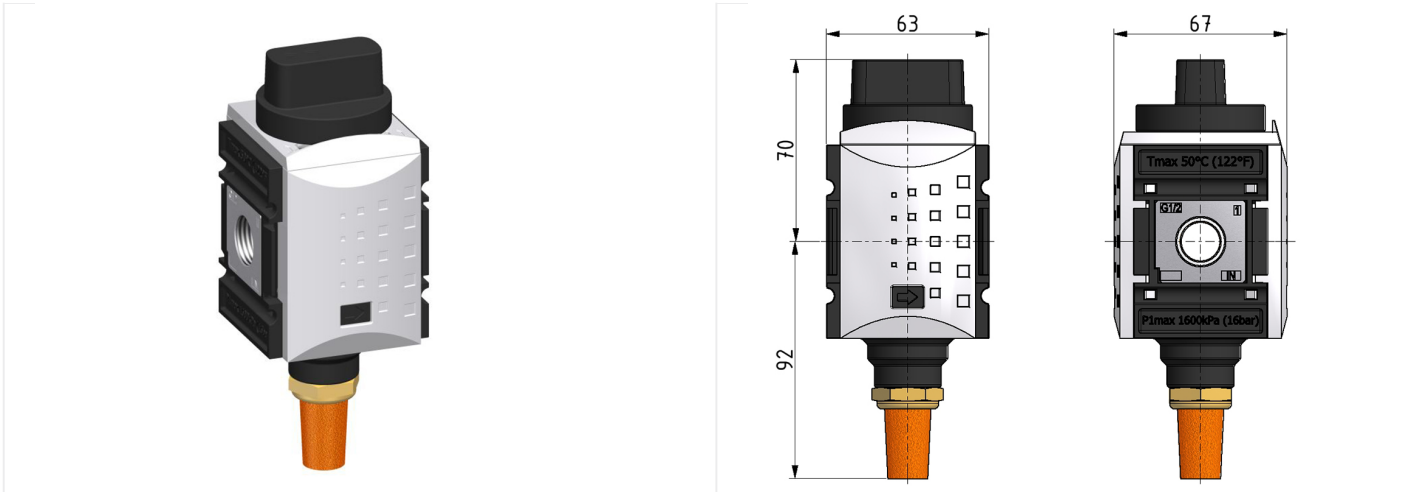


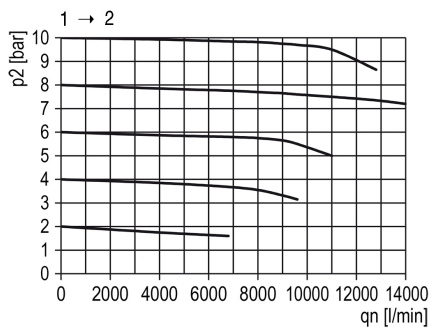
System extensions of the Futura series

Ball valve G1/2

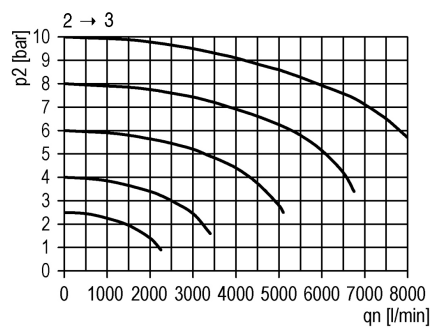


type	part-number	series	port size	flow rate	weight
KBAM-212	94002.EE00	Futura	G 1/2	11000 l/min	0.521 kg

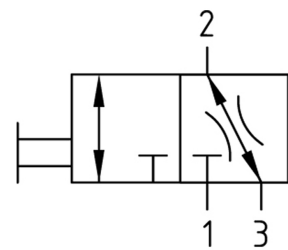
flow characteristic



rear exhaust



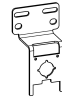
symbol



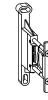
technical data

- **description:** 3/2 directional control valve, operated by a knob, 3-fold lockable with a padlock, shackle \varnothing 8mm
- **medium:** compressed air, neutral gases
- **supply pressure P1 max.:** 16 bar
- **temperature range:** 0 - 50°C
- **locking:** lockable with padlock
- **exhaust:** G 1/2
- **operating:** knob can be turned 90°

accessories



- mounting bracket:
[KBW 2-1225](#)



- coupling kit wall mounting:
[KKOP 2W](#)