

serie **SPLIT-BODY**

ADR
BS 14432

TUV
T.A. LUFT
SIL 3

FIRE-SAFE
Acc. EN ISO 10648/EN 10647

ATEX EX
F.E. TESTED
ISO15848-1



Artt. **760000 - 760001**

STAINLESS STEEL

CARBON STEEL



Valvola a sfera flangiata PN16, in acciaio inox AISI 316-CF8M e acciaio al carbonio A216-WCB zincotropicalizzato/verniciato (DN>100), a passaggio totale, scartamento secondo norma EN 558 basic series 27, Fire Safe, dispositivo antistatico.



Flanged PN16 stainless steel AISI 316-CF8M and zinc-plated/painted (DN>100) carbon steel A216-WCB ball valve, full bore, EN 558 basic series 27 face to face dimension, Fire Safe, Antistatic Device.



Vanne à boisseau sphérique à bride, PN16, en acier inox AISI 316-CF8M et acier galvanisé/verni (DN>100) au carbone A216-WCB à passage intégral, écartement selon norme EN 558 basic series 27, Sécurité Feu, dispositif antistatique.



Flanschkuhgelhahn PN16 aus Edelstahl AISI 316-CF8M und C-Stahl A216-WCB verzinkt/lackiert (DN>100) voller Durchgang, Baulänge nach EN 558 basic series 27, Fire Safe und antistatische Ausführung.



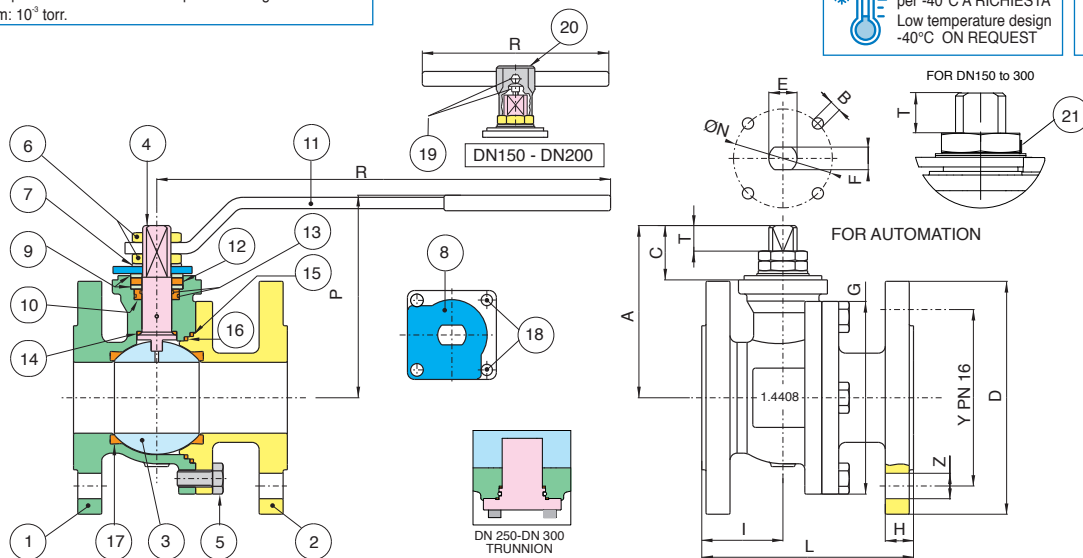
Válvula de bola con bridas PN16, en acero inoxidable AISI 316-CF8M, acero galvanizado/pintado (DN>100) al carbono A216-WCB paso total, longitud según norma EN 558 basic series 27, seguridad al fuego, dispositivo antiestático.



Stainless steel Limiti di temperatura: -20° +160° - Temperature range: -20° +160°
Carbon steel Limiti di temperatura: -10° +160° - Temperature range: -10° +160°
Vuoto: 10³ torr. - Vacuum: 10³ torr.

Esecuzione speciale per -40°C A RICHIESTA
Low temperature design -40°C ON REQUEST

V-Ball options



Art. 760000

Art. 760001

POS.	DENOMINAZIONE	PART NAME	DESCRIPTION	TEILBENENNUNG	DENOMINACIÓN	MATERIALE - MATERIALS - MATERIAUX WERKSTOFF- MATERIAL		N°P	SPARE PARTS
1	CORPO	BODY	CORPS	GEHÄUSE	CUERPO	1.4408/A351-CF8M	1.0619/A216-WCB	1	
2	FLANGIA	END CONNECTION	BRIDE	FLANSCH	BRIDA	1.4408/A351-CF8M	1.0619/A216-WCB	1	
3	SFERA	BALL	SPHÈRE	KUGEL	BOLA	A479-Tp316/A351-CF8M	A479-Tp304/A351-CF8	1	●
4	ASTA	STEM	TIGE	SPINDEL	EJE	A479-Tp316	A479-Tp304	1	●
5	VITE	SCREW	VIS	SCHRAUBE	TORNILLO	STAINLESS STEEL	CARBON STEEL	4-8-12	
6	DADO	NUT	ECROU	MUTTER	TUERCA	STAINLESS STEEL	STAINLESS STEEL	1-2	●
7	MOLLA A TAZZA	SPRING WASHER	RESSORT À DISQUES	TELLERFEDER	MUELLE CONTENEDOR	STAINLESS STEEL	CARBON STEEL	2	
8	PIASTRA MEZZOGIRO	90° STOP	90° STOP	90° STOP	90° STOP	A182-F316	CARBON STEEL	1	
9	BUSSOLA PREMIGLIARIZIONE	PACKING GLAND	BAGUE DE PRESSE ETOUPE	VORSPANNRING	MANGUITO PRENSAESTOPAS	A182-F316	A182-F316	2	
10	GUARNIZIONE ASTA	STEM SEAT	JOINT DE L'AXE	SPINDELDICHTUNG	ASIENTO EJE	PTFE	PTFE	1	●
11	LEVA	HANDLE	LEVIER DE COMMANDE	HANDHEBEL	PALANCA	A182-F316	CARBON STEEL	1	●
12	GUARNIZIONE ASTA	STEM SEAL	JOINT DE L'AXE	SPINDELDICHTUNG	ASIENTO EJE	GRAPHOIL	GRAPHOIL	1	●
13	O-RING	O-RING	O-RING	O-RING	O-RING	FKM (VITON®)	FKM (VITON®)	2	●
14	RONDELLA ASTA	THRUST WASHER	RONDELLE DE L'AXE	SPINDELSCHIEBE	EMPAQUETADURA	PTFE	PTFE	1	●
15	GUARNIZIONE CORPO	BODY SEAT	JOINT DE CORPS	GEHÄUSE ABDICHTUNG	ASIENTO CUERPO	GRAPHOIL	GRAPHOIL	1	●
16	GUARNIZIONE CORPO	BODY SEAT	JOINT DE CORPS	GEHÄUSE ABDICHTUNG	ASIENTO CUERPO	PTFE	PTFE	1	●
17	GUARNIZIONE SFERA	BALL SEAT	JOINT DE TENUE SPHÈRE	SITZE KUGELDICHTUNG	ASIENTO ESFERA	PTFE	PTFE	2	●
18	VITE	SCREW	VIS	SCHRAUBE	TORNILLO	STAINLESS STEEL	CARBON STEEL	2	
19	VITE	SCREW	VIS	SCHRAUBE	TORNILLO	STAINLESS STEEL	CARBON STEEL	2	
20	CORPO LEVA DN150-200	BODY HANDLE DN150-200	CORPS LEVIER DE COMMANDE DN150-200	HEBEL DN150-200	CUERPO PALANCA DN150-200	EN-GJL 250	EN-GJL 250	1	●
21	RONDELLA ANTISVITAMENTO	UNSCREWING GROWER	RONDELLE ANTIDÉVISSAGE	SICHERUNGSSCHIEBE	ARANDELA DESENROSCADO	A182-F316	A182-F316	1	

MISURA SIZE	DN	CODICE MISURA SIZE CODE	D	Y	Z	H	I	L	G	P	R	A	C	T	E	F	ØN	B	Kv	PN	Kg
1/2"	15	*04	95	65	4 x Ø14	16	49	115	71	88	131	52	19	8	M10	7	42-F04	M5	19,2	40	2,50
3/4"	20	*05	105	75	4 x Ø14	18	51	120	73,5	93	131	56	19	8	M10	7	42-F04	M5	35,0	40	3,20
1"	25	*06	115	85	4 x Ø14	18	54	125	90,5	89	174	72,5	27,5	13	M12	8	50-F05	M6	64,5	40	4,50
1 1/4"	32	*07	140	100	4 x Ø18	18	55	130	97	93	174	76	27,5	13	M12	8	50-F05	M6	103,8	40	5,80
1 1/2"	40	*08	150	110	4 x Ø18	18	51,5	140	114	133	250	107	30	10	M16	10	50-F05	M6	174,0	40	8,10
2"	50	*10	165	125	4 x Ø18	20	57,5	150	136,5	144	321	122	38,5	18	M20	14	70-F07	M8	301,3	40	11,40
2 1/2"	65	*12	185	145	4 x Ø18	18	61	170	167,6	154	321	133	39,5	18	M20	14	70-F07	M8	545,7	16	15,40
3"	80	*14	200	160	8 x Ø18	20	75,5	180	178,6	173	381	151	43	18	M24	18	102-F10	M10	872,5	16	20,50
4"	100	*18	220	180	8 x Ø18	20	80	190	208,6	187	381	165	43	18	M24	18	102-F10	M10	1363,3	16	26,80
5"	125	*19	250	210	8 x Ø18	22	149	325	273	209	381	187	43	18	M24	18	102-F10	M10	2360,3	16	50,20
6"	150	*20	285	240	8 x Ø22	22	157	350	311	305	700	245	68	41	M42	30	125-F12	M12	3671,1	16	75,70
8"	200	*21	340	295	12 x Ø22	24	190	400	402	348	700	288	68	41	M42	30	125-F12	M12	6816,6	16	104,00
10" *	250	*77	405	355	12 x Ø26	26	225	450	500	-	-	353	81	47	M52	38	140-F14	M16	11170,7	16	180,00
12" *	300	*78	460	410	12 x Ø26	28	250	500	560	-	-	384	81	47	M52	38	140-F14	M16	16805,6	16	226,00

* TRUNNION fornita senza leva - supplied without handle. Disponibili accessori pag. 130 - Accessories available, see on page 130.

Disponibile certificato di idoneità per gas metano - Suitable for methane gas.

Disponibili ricambi - Available spare parts pagg. 135 142 148 152-153

VALPRES

