

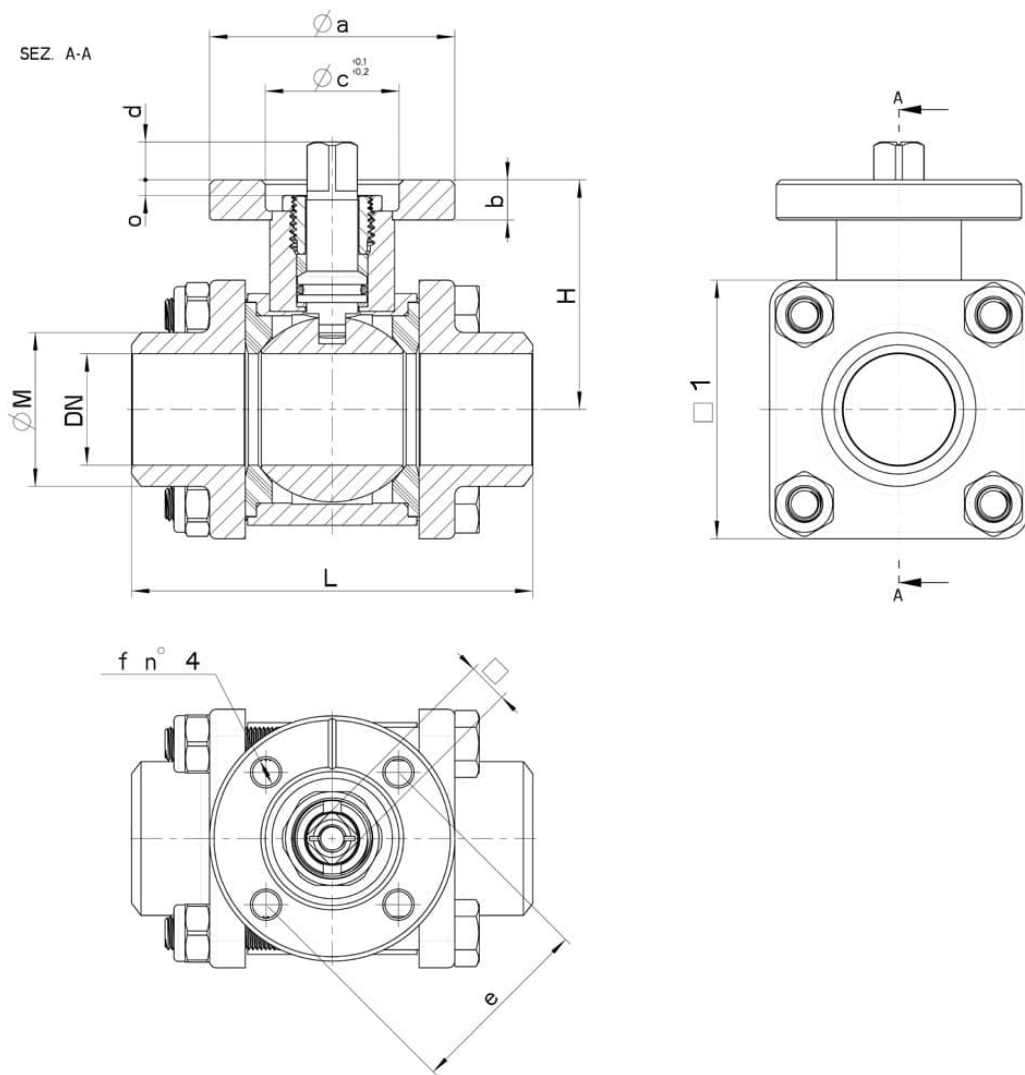
## 503042 STANDARD SEALS\_SCH80 BUTT WELDING



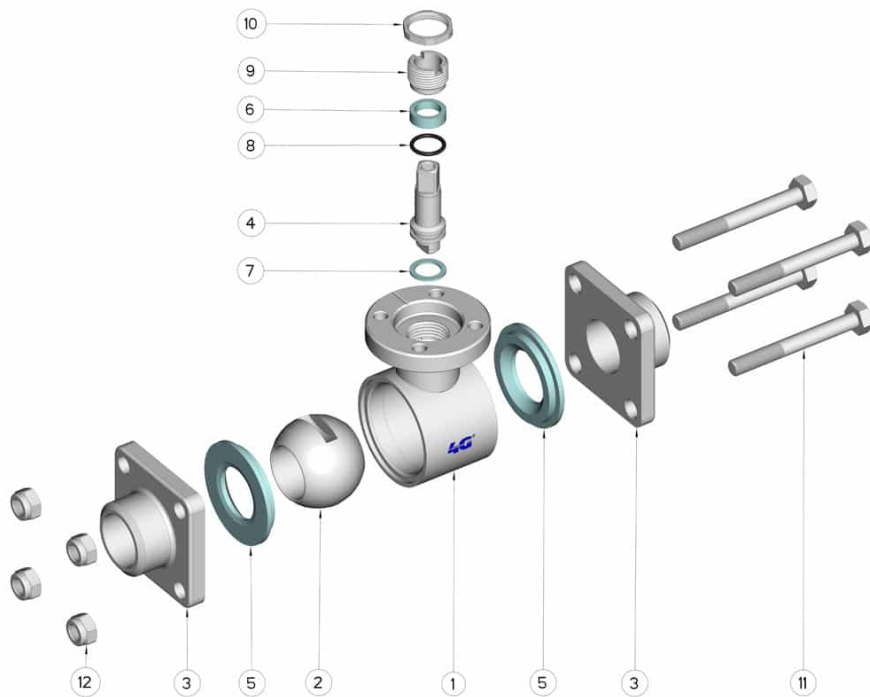
TWO-way ball valve, Three Pieces  
Drive: ISO 5211 - DIN 3337 flange for actuator  
Connection: Butt-welding  
Flow: Full  
Material: Aisi 316L (1.4404)  
Measure: from DN8 to DN100  
Seals: virgin P.T.F.E.  
Operating temperature: -20°C +170°C  
Outer finish: Sandblasted

On request: Antistatic device ATEX II 2 G-D T4 zone 1-21  
M.O.C.A. CE 1935/2004

- Seals made of:  
PTFE with glass -20°C+170°C  
PTFE with carbographite -20°C+180°C  
PTFE with inox -20°C+200°C  
UHMW High-molecular weight polyethylene -20°C+80°C



DN	L	H	ØM	□1	STAY BOLTS	TIGHTENING	PN	Kg	ISO-DIN	Ø a	b	Ø c x o	□	d	e	f	n° 4 BOLTS	Nm *	CODE AISI 316L
8	70	41,5	14	40	6 x 45	4	64	0,40	F.03	46	9	25x3	9	8	36	6	M5x14	7	503042 60410
8	70	41,5	14	40	6 x 45	4	64	0,44	F.04	54	9	30x3	11	10	42	6	M5x16	7	503042 6041F
10	70	41,5	18	40	6 x 45	4	64	0,41	F.03	46	9	25x3	9	8	36	6	M5x14	7	503042 60810
10	70	41,5	18	40	6 x 45	4	64	0,45	F.04	54	9	30x3	11	10	42	6	M5x16	7	503042 6081F
15	70	41,5	22,5	40	6 x 45	4	64	0,42	F.03	46	9	25x3	9	8	36	6	M5x14	7	503042 61410
15	70	41,5	22,5	40	6 x 45	4	64	0,46	F.04	54	9	30x3	11	10	42	6	M5x16	7	503042 6141F
20	80	45	28	45	6 x 50	4	40	0,55	F.03	46	9	25x3	9	8	36	6	M5x14	10	503042 62010
20	80	45	28	45	6 x 50	4	40	0,59	F.04	54	9	30x3	11	10	42	6	M5x14	10	503042 6201F
25	90	51,5	34,5	60	8 x 65	8	40	1,07	F.04	54	9	30x3	11	10	42	6	M5x16	18	503042 62610
25	90	51,5	34,5	60	8 x 65	8	40	1,21	F.05	65	9	35x3	14	13	50	7	M6x16	18	503042 6261F
32	100	56,5	43,5	70	8 x 70	10	25	1,43	F.04	54	9	30x3	11	10	42	6	M5x16	20	503042 63010
32	100	56,5	43,5	70	8 x 70	10	25	1,60	F.05	65	9	35x3	14	13	50	7	M6x16	20	503042 6301F
40	114	74	49,5	80	10 x 90	12	25	2,33	F.05	65	12	35x4	14	13	50	7	M6x20	25	503042 63410
40	114	74	49,5	80	10 x 90	12	25	2,50	F.07	90	12	55x4	17	15	70	9	M8x20	25	503042 6341F
50	136	82	61,5	90	10 x 100	13	25	2,58	F.05	65	12	35x4	14	13	50	7	M6x20	35	503042 63810
50	136	82	61,5	90	10 x 100	13	25	2,70	F.07	90	12	55x4	17	15	70	9	M8x20	35	503042 6381F
65	151	94,5	76	Ø 140	10 x 120	20	25	-	F.07	90	12	55x4	17	15	70	9	M8x20	45	503042 64410
65	151	94,5	76	Ø 140	10 x 120	20	25	-	F.10	125	12	70x4	22	18	102	11	M10x25	45	503042 6441F
80	172	106	91	Ø 165	10 x 140	20	16	-	F.07	90	12	55x4	17	15	70	9	M8x20	60	503042 64810
80	172	106	91	Ø 165	10 x 140	20	16	-	F.10	125	12	70x4	22	18	102	11	M10x25	60	503042 6481F
100	200	120	116	Ø 200	12 x 170	22	16	-	F.07	90	12	55x4	17	15	70	9	M8x20	90	503042 65410
100	200	120	116	Ø 200	12 x 170	22	16	-	F.10	125	12	70x4	22	18	102	11	M10x25	90	503042 6541F



POS.	DENOMINATION	PCS	MAT.
1	Body	1	AISI 316L
2	Ball	1	AISI 316L
3	Sleeves	2	AISI 316L
4	Stem	1	AISI 316L
5	Ball Seals	2	PTFE
6	Stem Seal	1	PTFE
7	Stem Seal	1	PTFE
8	Stem or-Seal	1	FKM
9	Register ring	1	AISI 304L (303)
10	Locknut	1	AISI 303
11	Stay bolt	4	AISI 304L
12	Self-clamping nut	4	AISI 304L

