

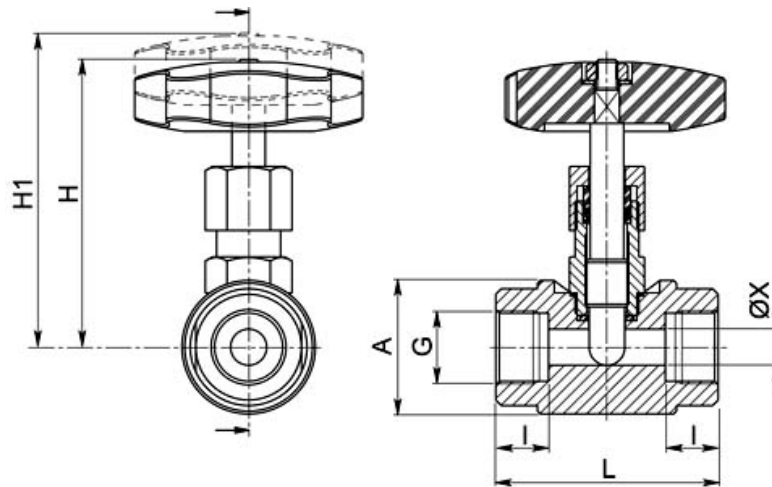


## 678001

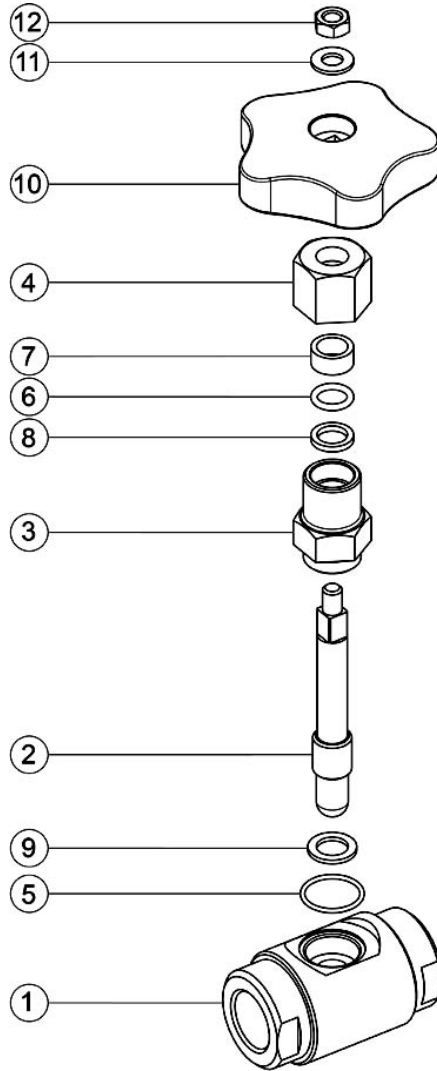
Rate valve  
 Drive: Handwheel  
 Connection: ISO 228 female/female thread  
 Material: Aisi 316  
 Measure: from 1/2" to 1"  
 Operating temperature: -20°C +160°C  
 Outer finish: Polished

### On request:

- CLAMP ISO 2852 connection



G	L	I	A	H	H 1	Ø X	PN	Kg	CODE AISI 316
1/2"	60	14	∅30	68	74	8,5	100	0,40	678001 61400
3/4"	80	19	∅48	105	116	13	100	1,16	678001 62000
1"	80	19	∅48	105	116	13	100	1,07	678001 62600



POS.	DENOMINATION	PCS	MAT.
1	Body	1	AISI 316
2	Pin	1	AISI 316
3	Lead screw	1	AISI 316
4	Stuffing nut	1	AISI 316
5	OR	1	FKM
6	OR	1	FKM
7	Seal	1	PTFE Caricato Vetro/With glass
8	Seal	1	PTFE
9	Seal	1	Duroplast
10	Handwheel	1	AISI 304
11	Washer	1	AISI 304
12	Nut	1	AISI 304

