

4

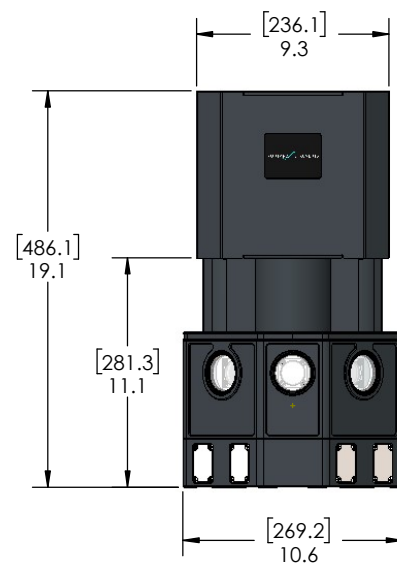
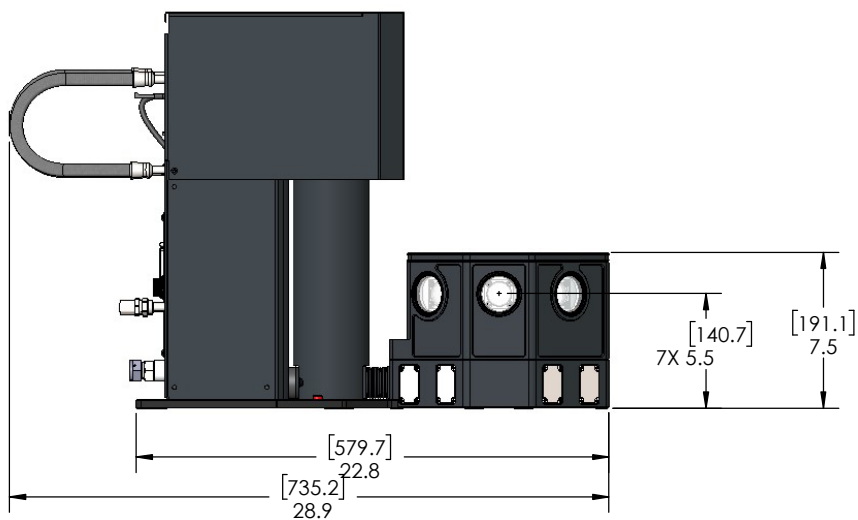
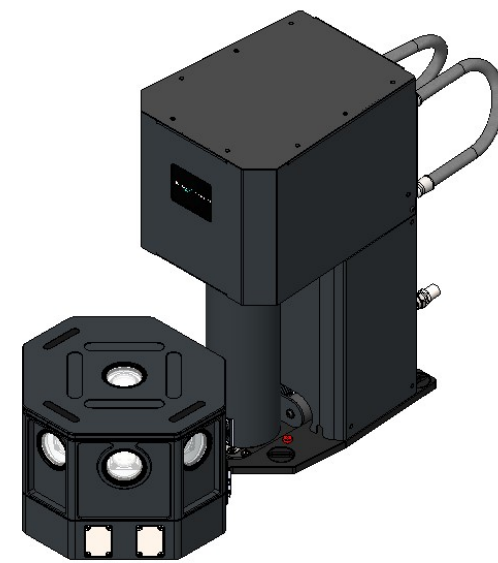
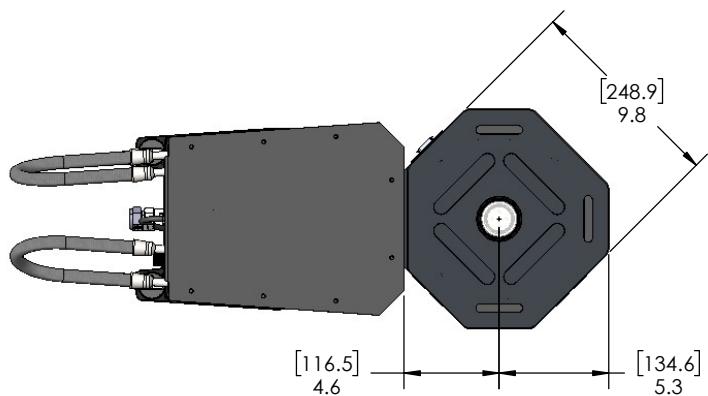
3

2

1

NOTES (UNLESS OTHERWISE SPECIFIED):

- 1. SYSTEM MAY BE MOUNTED TO IMPERIAL (INCH) OR METRIC OPTICAL TABLES.
- 2. SYSTEM MAY BE ALIGNED WITH EDGE OF OPTICAL TABLE OR AT A 45° ANGLE.



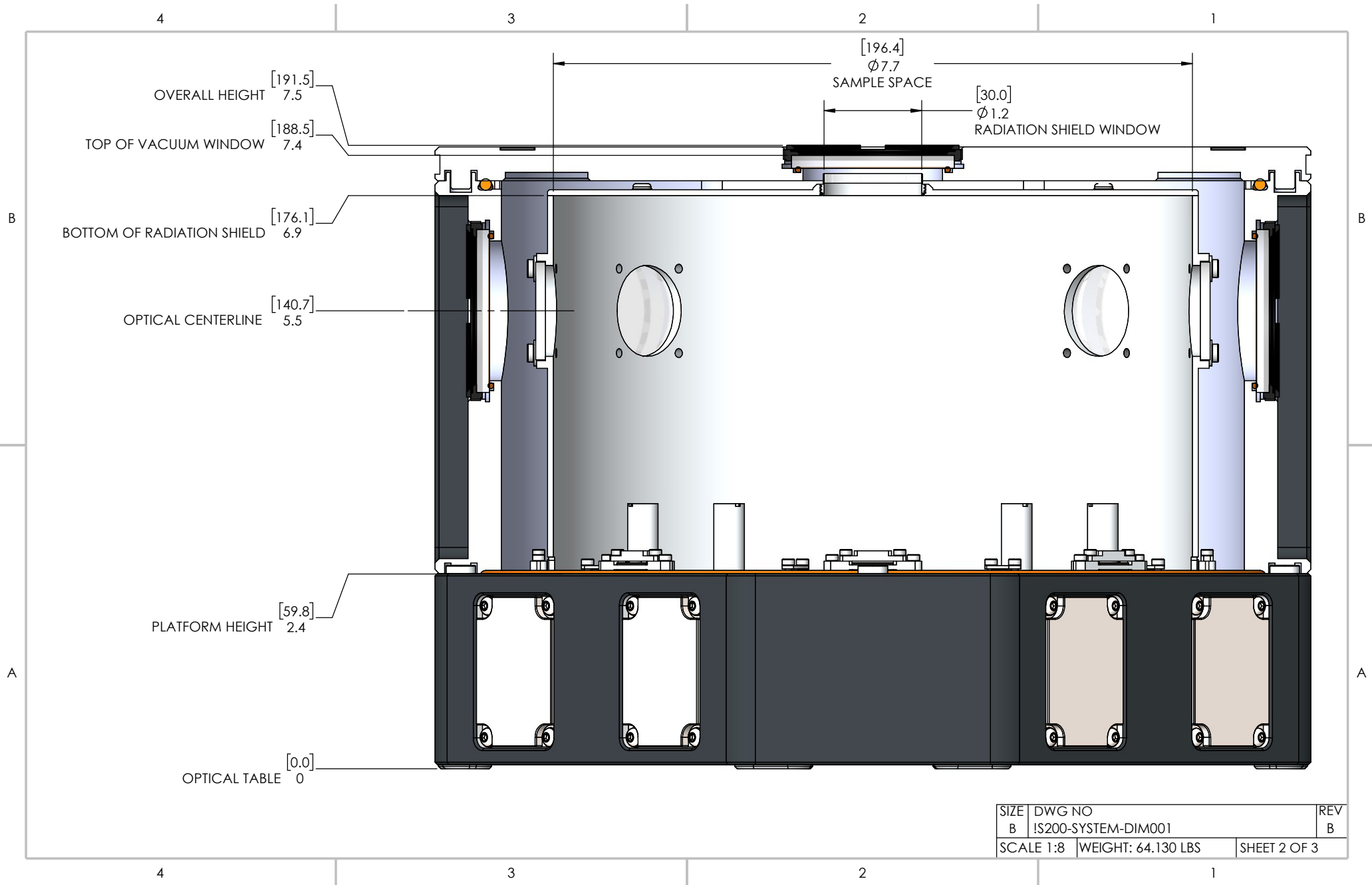
MONTANA INSTRUMENTS		BOZEMAN, MT
TITLE		
CRYOSTATION, S200		
SIZE	DWG NO	REV
B	!S200-SYSTEM-DIM001	B
SCALE 1:12	WEIGHT: 64.130 LBS	SHEET 1 OF 3

4

3

2

1



SIZE	DWG NO	REV
B	IS200-SYSTEM-DIM001	B
SCALE 1:8	WEIGHT: 64.130 LBS	SHEET 2 OF 3

4

3

2

1

B

B

A

A

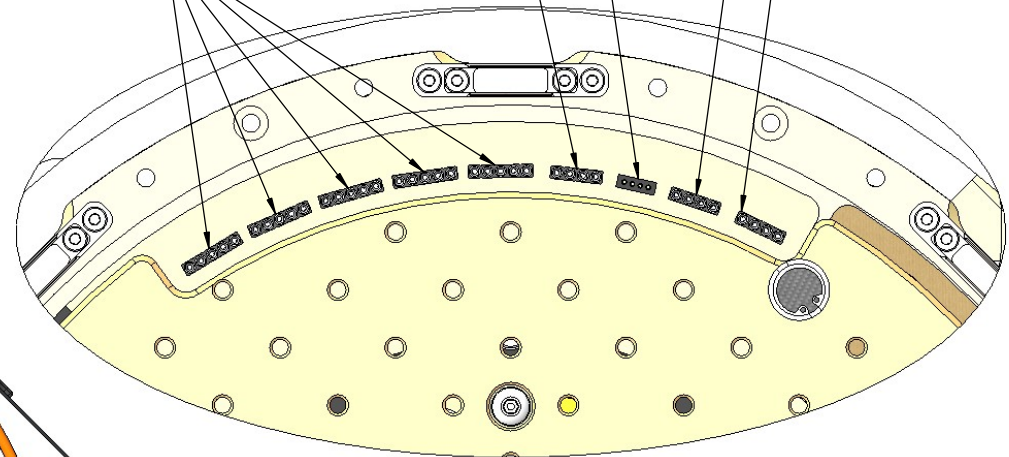
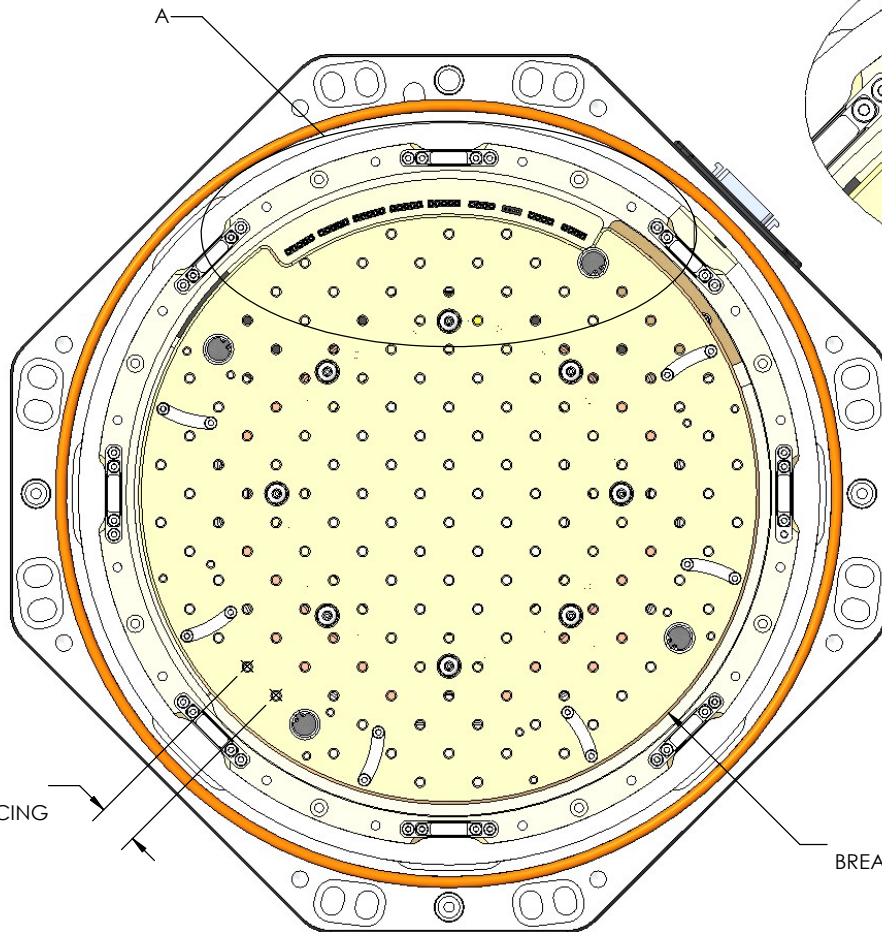
USER CONNECTIONS - 25 DC PINS
FIVE SETS OF FIVE CONNECTORS

USER 1, THERMOMETER

USER 1, HEATER

USER 2, HEATER

USER 2, THERMOMETER



DETAIL A
SCALE 4 : 3

SIZE	DWG NO	REV
B	IS200-SYSTEM-DIM001	B
SCALE 1:4	WEIGHT: 64.130 LBS	SHEET 3 OF 3

4

3

2

1