

Article Card

Model 3288 + 3188



Covers

Madras, Semianiline, Soleda, Anilux, Fabric

| Body part | | Elastic layer | |
|-----------|-------------------|----------------|-----|
| seat | HR 3532 + HR 3038 | flat spring | YES |
| back | HR 2515 + VP 2542 | bonell spring | NO |
| arm | VP 2542 + VP 1830 | topline spring | NO |
| headrest | | | |
| footstol | VP 2542 | | |

Frame construction materials

| | |
|-------------|-----|
| solid wood | NO |
| chipboard | NO |
| fiberboard | NO |
| plywood | YES |
| steel frame | YES |

Colli 1

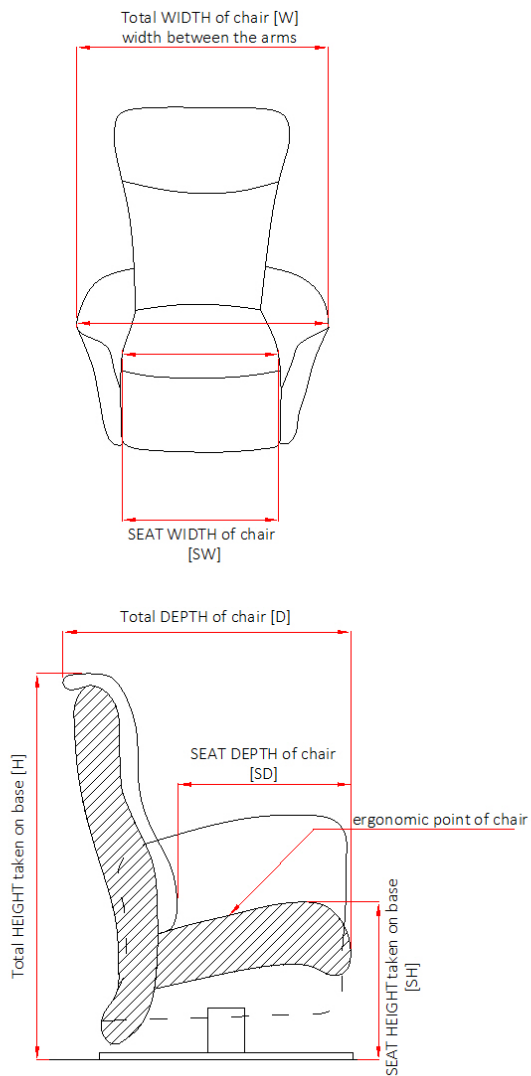
| | |
|----------|---|
| Manual | - |
| Electric | - |

Available functions

| | |
|-----------------------------|-----|
| Manual headrest Height adj. | NO |
| Manual headrest angle adj. | NO |
| Electrical back angle adj. | NO |
| Automatic | NO |
| Manual | YES |
| Legget-E | NO |
| Legget-M | NO |
| Gas Spring | NO |
| Slide | NO |
| Lift-Up | NO |

MEASUREMENTS:

All measurements can be different about 2-3 cm !



| Legs | Height [H] | Seat height [SH] | Footstol Height [H] |
|-------------------|------------|------------------|---------------------|
| | [cm] | [cm] | [cm] |
| Disc Base Wooden | 103 | 46 | 42 |
| Disc Base Brushed | 103 | 46 | 42 |
| Elegant | 103 | 46 | 43 |
| NTB | 105 | 48 | 42 |
| Space Sokel | 103 | 46 | 42 |
| Tube Space | 105 | 48 | 42 |
| | | | |

Measurement on Space Sokel

| Size | Width [W] | Height [H] | Depth [D] | Seat depth [SD] | Seat height [SH] | Seat Width [SW] | Lie area |
|------|-----------|------------|-----------|-----------------|------------------|-----------------|----------|
| | [cm] | [cm] | [cm] | [cm] | [cm] | [cm] | [m2] |
| 3288 | 69 | 103 | 81 | 46 | 46 | 54 | |
| 3188 | 51 | 42 | 41 | | | | |
| | | | | | | | |

| Size | Weight netto | Weight brutto | Volume netto | Volume brutto | Bedclothes Box |
|------|--------------|---------------|-------------------|-------------------|----------------|
| | [kg] | [kg] | [m ³] | [m ³] | [m3] |
| 3288 | 19 | 20,3 | 0,58 | 0,62 | - |
| 3188 | 5 | 5,4 | 0,09 | 0,09 | |
| | | | | | |

16.06.2020