

Article Card

Model 8005 - FM / FEL



Covers

Madras, Semianiline, Soleda, Anilux, Fabric

Body part	Elastic layer		
seat	HR 3532 + HR 3038	flat spring	YES
back	HR 2515	topline spring	NO
arm	VP 4070		
headrest			

Frame construction materials

solid wood	NO
chipboard	NO
fiberboard	NO
plywood	YES
steel frame	YES

Colli 1

Manual	Inside handle
Electric	Panel

Available functions

Manual headrest Height adj.	NO
Manual headrest angle adj.	NO
Electrical back angle adj.	YES
Automatic	YES
Manual	YES
Legget-E	NO
Legget-M	NO
Gas Spring	YES
Slide	NO
Lift-Up	NO

Article Card

System for assembly

double click



Way for packing

box

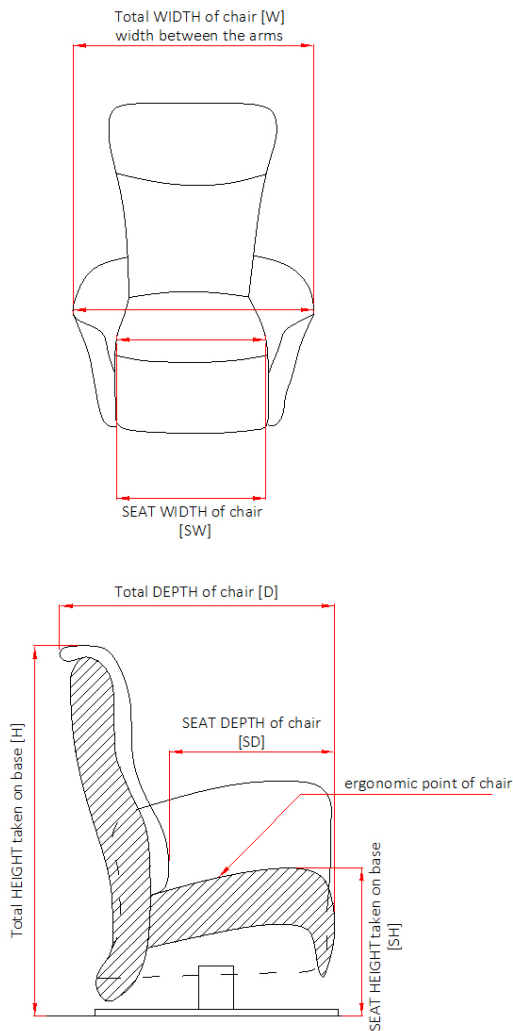
Box measurements [cm]

92 x 77 x 47



MEASUREMENTS:

All measurements can be different about 2-3 cm !



Legs	Height [H]	Seat height	Base weight
	cm	cm	[kg]
DISC BASE BRUSHED	106	46	16,5
EB / EBS	106	46	2
TS / TSS	106	46	2,6
DISC BASE WOODEN	106	46	5,7
Wood Star	105	45	4
ORION BASE	106	46	2

Measurement on EB 130

Size	Width [W]	Height [H]	Depth [D]	Seat depth [SD]	Seat height [SH]	Seat Width [SW]
	[cm]	[cm]	[cm]	[cm]	[cm]	[cm]
8005 FM / FEL	73	106	82	52	46	53
8005 FM - open function	73	70	164	99	52	53

Size	Weight netto	Weight brutto	Volume netto	Volume brutto
	[kg]	[kg]	[m ³]	[m ³]
8005 FM	23	26,0	0,63	0,33
8005 FEL	27	30,0	0,63	0,33

02.02.2021