

# OE6

## ELECTRON-BEAM WELDED RUPTURE DISC ASSEMBLY

**High-performance rupture disc assembly with a scored forward or reverse rupture disc electron-beam welded between the inlet and outlet sections of a plug**



OsecoElfab's high-integrity, fail-safe OE6 rupture disc assembly is particularly suitable for harsh environments. The component can withstand extremely high and low temperatures, and operates efficiently at both very high pressures and in full vacuum.

OE6 is simple to install and features a zero-maintenance design. It is available with a wide range of inlet and outlet configurations for full customisation, with optional baffle outlets for controlled venting.

<b>Standard disc sizes</b>	15, 19, 25 mm
<b>Standard thread sizes</b>	1/8", 1/4", 3/8", 1/2", 3/4", 1"
<b>Standard thread types</b>	NPT, BSPT, BSPP
<b>Burst Pressure</b>	1 - 750 barg
<b>Operating Ratio</b>	Reverse: 90% Forward: 85%
<b>Performance Tolerance</b>	+/- 5%
<b>Manufacturing Range</b>	0%

**Let us help you with all your pressure relief questions.**

**UK office** | North Shields  
+44 (0)191 293 1234 | [uksales@osecoelfab.com](mailto:uksales@osecoelfab.com)

**US office** | Broken Arrow  
+1 (918) 258 5626 | [info@osecoelfab.com](mailto:info@osecoelfab.com)

[osecoelfab.com](http://osecoelfab.com)

**REQUEST A QUOTE FOR THE OE6** →



# TECHNICAL SPECIFICATIONS



Standard disc sizes*	15mm, 19mm, 25mm
Disc types	Reverse (compression loaded) or forward acting (tension loaded)
Disc connection to body	Electron-beam welded between inlet and outlet
Standard thread sizes	1/8", 1/4", 3/8", 1/2", 3/4", 1"
Standard inlet thread types	NPT, BSPT, BSPP (male or female) – Baffle or through
Standard outlet thread types	NPT, BSPT, BSPP (male or female) - Baffle or through
Burst pressure range	1 barg – 750 barg (14.5 psig – 10,878 psig)
Temperature range	-70°C to 400°C (-94 to 752°F)
Standard materials	Disc: 316 Stainless Steel, Nickel as standard (others available on request) Body: Stainless Steel as standard (others available on request)
Max. Operating Ratio	Reverse: 90% Forward: 85%
Performance Tolerance	+/-5%
Manufacturing Range	0%
Fragmentation	Non-fragmenting designs available
Vacuum Service	Withstands full vacuum (14.7 psi) without separate vacuum support
Fluid compatibility	Reverse: Gas service, vapour service Forward: Gas service, vapour service, liquid service
Leak tightness	Leak-tight design: Checked to 1x10 <sup>-8</sup> cc-atm/sec using helium
Design Standards	Designed to meet ISO 4126-2:2019 and PED 2014/68/EU

\*Other sizes available on request

## Certifications

CE

## Related Products

### Sensors

OE-Tel

### Rupture Discs

Opti-Gard  
Safe-Gard

# Burst Pressure Ranges

OE6 Min/Max Burst Pressure @ 15-30° C / 59-86° F



SIZE		DISC MATERIAL*	REVERSE ACTING DISC* (COMPRESSION LOADED)		FORWARD ACTING DISC* (TENSION LOADED)	
DN (mm)	inches		MIN barg (psig)	MAX barg (psig)	MIN barg (psig)	MAX barg (psig)
15	0.5	316 Stainless Steel	4 (58)	55 (800)	69 (1001)	750 (10,878)
		Nickel	3.3 (44)	55 (800)	35 (508)	600 (8,702)
19	0.75	316 Stainless Steel	4 (58)	40 (580)	45 (653)	600 (8,702)
		Nickel	2.5 (3.7)	40 (580)	27 (392)	500 (7,252)
25	1	316 Stainless Steel	2 (28)	55 (800)	34 (493)	500 (7,252)
		Nickel	1 (14.5)	40 (580)	21 (305)	400 (5,802)

\*All with 316 Stainless Steel inlet and outlet

## Free Flow Area / Minimum Net Flow Area (MNFA)

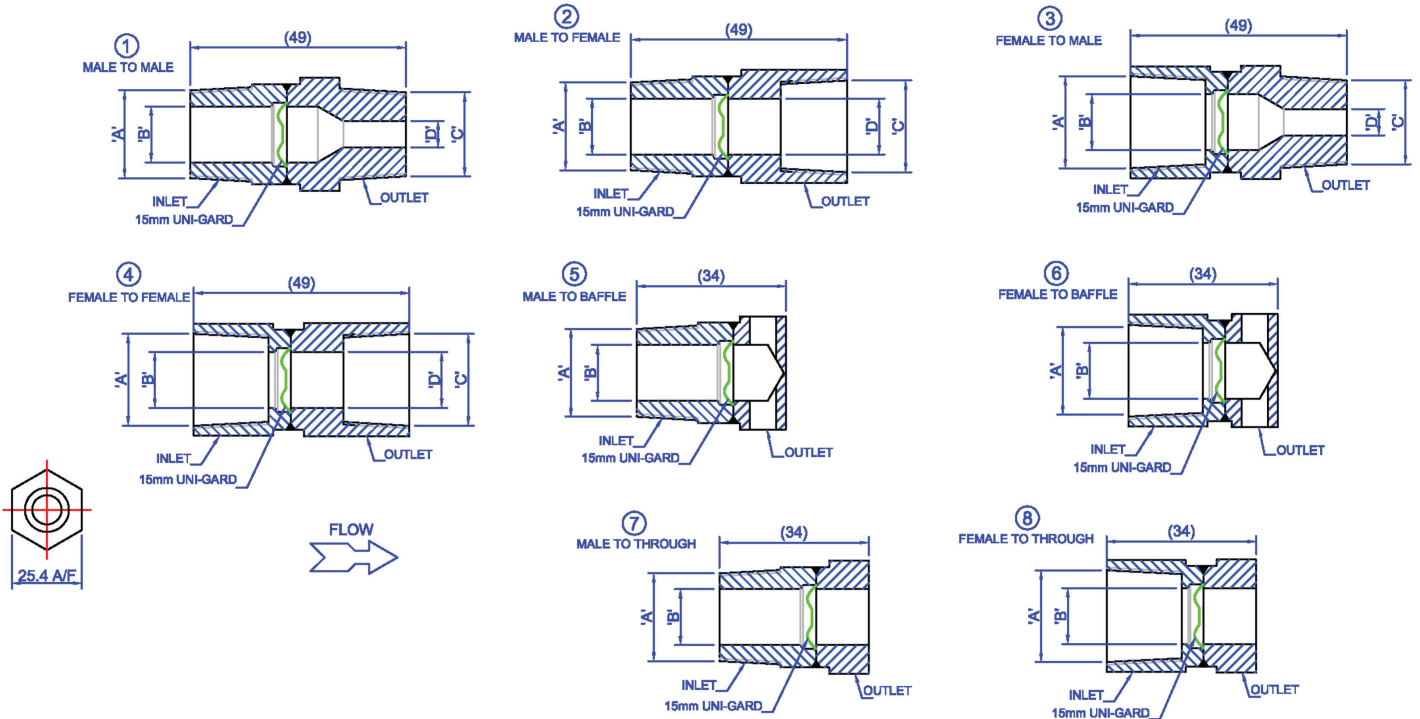
CONNECTION TYPE/SIZE		MNFA	
inches	DN (mm)	mm <sup>2</sup>	Sq. Inch
1/8"	3	7.07	0.01
1/4"	6	28.28	0.04
3/8"	10	78.55	0.12
1/2"	12.7	126.7	0.19
3/4"	19	283.6	0.44
1"	25	490.9	0.76

# Schematic Drawings



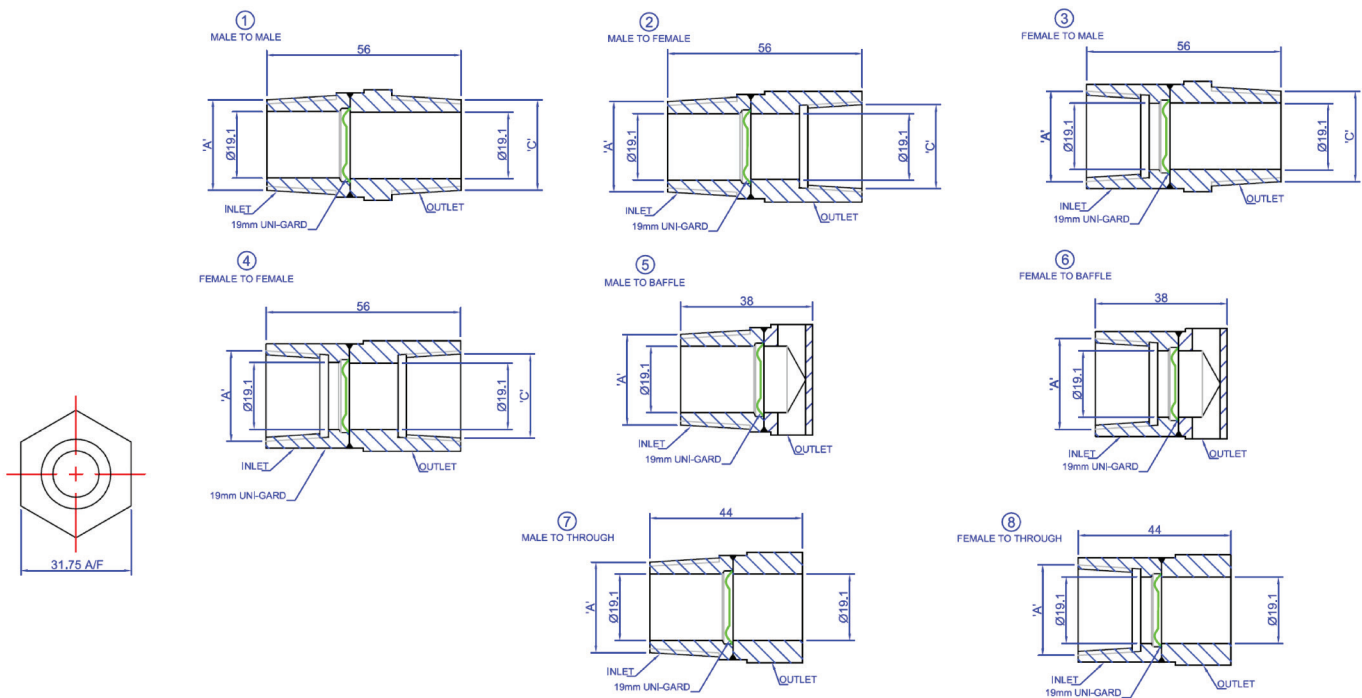
## 15mm disc, inlet and outlet configurations.

All dimensions can be customized. Please contact OE with your specifications.



## 19mm disc, inlet and outlet configurations.

All dimensions can be customized. Please contact OE with your specifications.



# Schematic Drawings



25mm disc, inlet and outlet configurations.

All dimensions can be customized. Please contact OE with your specifications.

