

CE 0038 [P > 0.5 BAR]

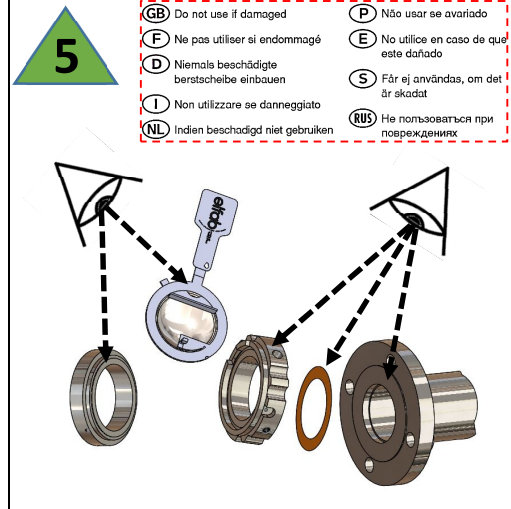
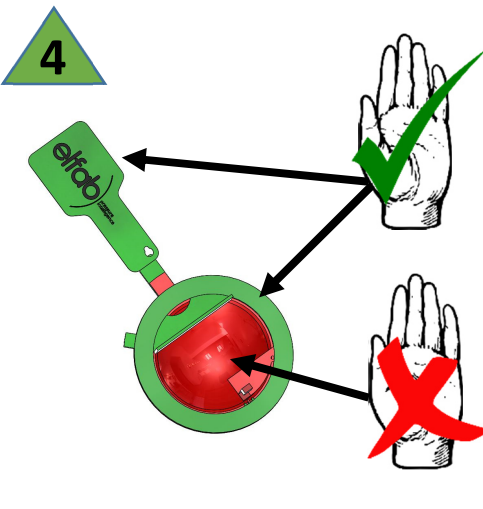
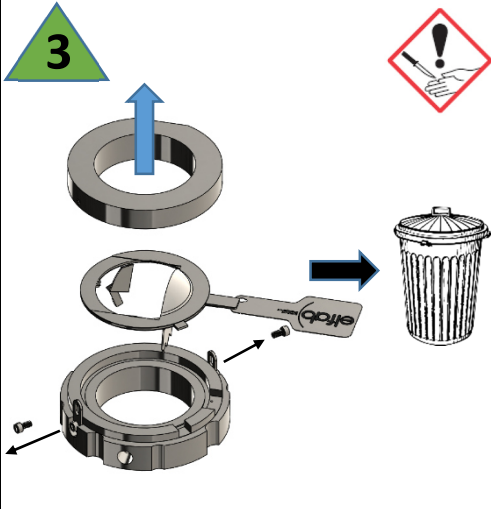
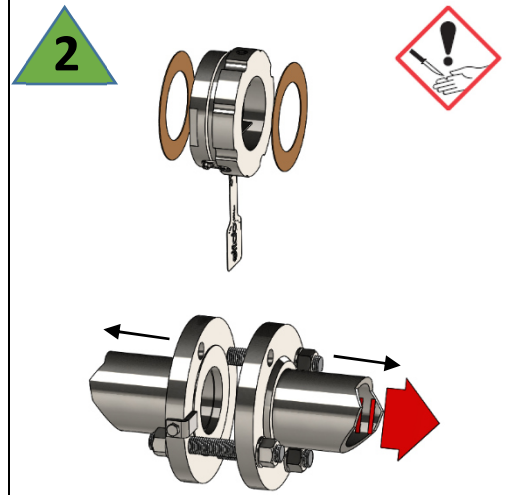
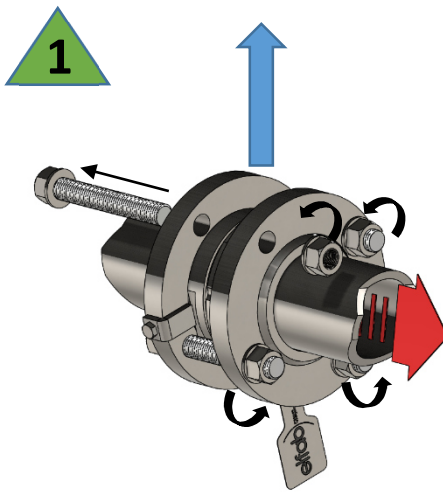
**elfab** pressure intelligence

- Installation (GB)
- Installation (F)
- Einbauanleitung (D)
- Instalazione (I)
- Installatie (NL)
- Instalação (P)
- Instalacion (E)
- Installation (S)
- Установка (RUS)

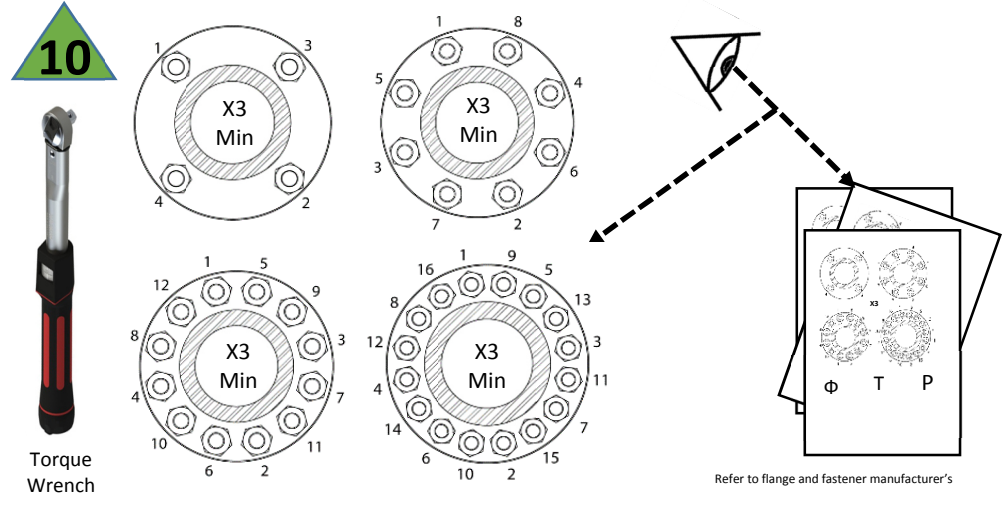
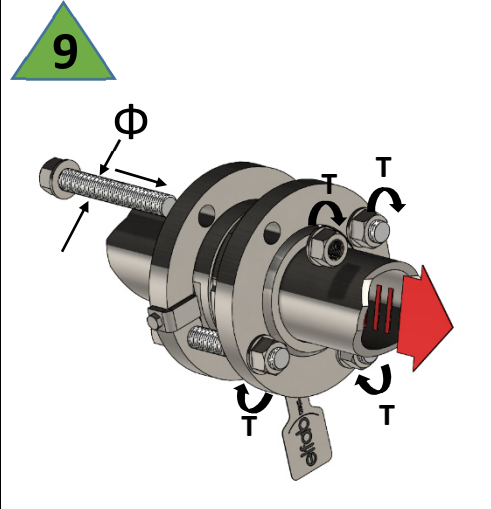
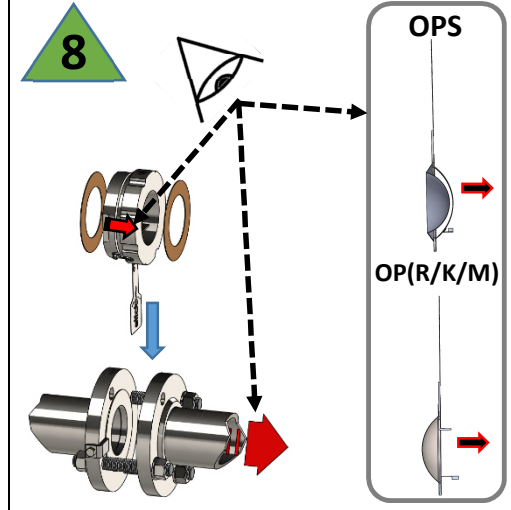
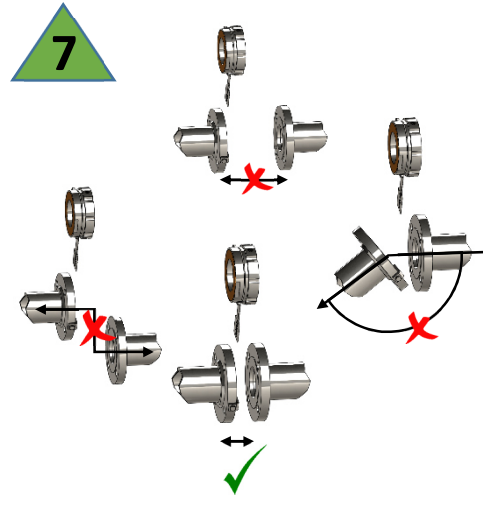
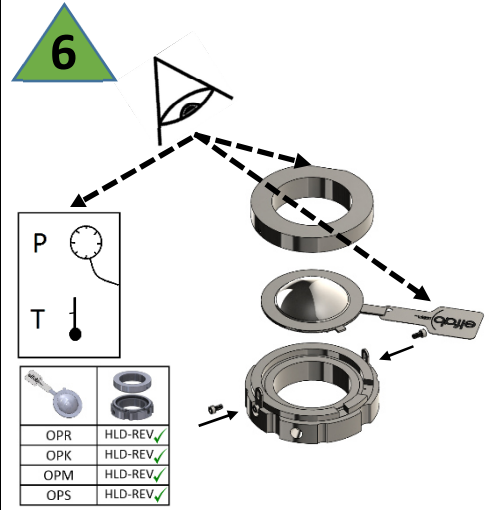
**Opti-Gard™ (OPR/OPK/OPM)**  
**Opti-Gard™ Solo (OPS)**

Elfab Limited  
Alder Road, North Shields, Tyne and Wear, NE29 8SD  
UNITED KINGDOM  
e-mail: sales@elfab.com. [www.elfab.com](http://www.elfab.com)  
Tel: +44(0)1912931234

Elfab China Chinasales@elfab.com  
Elfab Poland Polandsales@elfab.com  
Elfab Singapore Singaporesales@elfab.com



- |   |   |
|---|---|
| (GB) Do not use if damaged                      | (P) Não usar se avariado                  |
| (F) Ne pas utiliser si endommagé                | (E) No utilice en caso de que este dañado |
| (D) Niemala beschädigte berststacheibe einbauen | (S) För ej användas, om det är skadat     |
| (I) Non utilizzare se danneggiato               | (RUS) Не пользоваться при повреждении     |
| (NL) Indien beschadigd niet gebruiken           |   |



Refer to flange and fastener manufacturer's