

MEMPHIS

SHELF LIGHTING FIXTURE

LINEAR // LUXX // SHELF LIGHTING // MEMPHIS

PRODUCT CONTENTS

Specific contents will vary based on your selected configuration.



FIXTURE



ATTACHED POWER LEAD



MOUNTING HARDWARE

ELECTRICAL

Input Voltage	24VDC
Power Consumption	9.6W per meter (2.9W per foot)
Wires	18AWG attached power lead
Certifications	cULus Listed (E501733), CE Compliant

HANDLING ADVISORY & PRE-INSTALL TESTING



Do not set anything on top of the product (i.e. tools, mugs, etc.). Avoid placing product on floor or anywhere it could be stepped on.



We advise that all products be inspected at time of delivery and dry-fit tested for proper illumination.

SAFETY & COMPLIANCE INFORMATION *Read all instructions before beginning.*

- // WARNING: RISK OF ELECTRIC SHOCK. Disconnect power at the source before installation, maintenance, or cleaning.
- // This is a 24 Volt DC product. Connect to 24VDC only. NEVER connect to AC current or any other voltage. Best practices include allowing headroom for power supply longevity.
- // To reduce the risk of fire, electric shock, or injury to persons, pay close attention to this manual and stay within its guidelines when using this product. Save these instructions for future reference. Read and follow the product handling, installation, & integration advisory on page 4.
- // Product should be installed in accordance with local/regional electrical codes and the current National Electric Code (NEC).
- // Use only with UL Listed or UL Recognized Class 2, Limited Power Source (LPS) or Low Voltage Limited Energy (LVLE) power supplies. Provide the appropriate number of 24V Class 2 circuits for your layout. Do not exceed the maximum load limit of any power supply per the manufacturer's recommendations.
- // The use of the included power connector cable is required for warranty to be valid.
- // Only used the supplied mounting hardware. Do not use other tapes or adhesives to secure fixture in place.
- // Use an MCB (mini circuit breaker) / fuse (slow blow) of at least 6A to prevent unwanted tripping caused by the inrush current of the LED driver.
- // We advise using a zero-crossing/switching solid-state relay to reduce the inrush current peak.
- // This product is designed for damp and dry locations only. Do not use this product in any location that may come into direct contact with moisture.

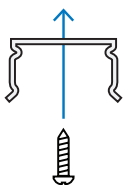
CLEANING THE PRODUCT

Use a clean, damp cloth and mild cleaning agent. Do not use abrasive cleaners, scouring pads, bleach, or cleaners containing chlorine as these may damage the product

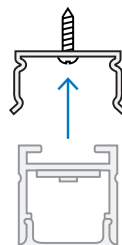
MOUNTING THE PRODUCT

The following example depicts the standard mounting method. Your setup may vary based on the specific configuration of your product.

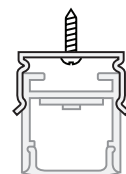
SECURE MOUNTING CLIPS TO SURFACE



SNAP PRODUCT INTO CLIPS



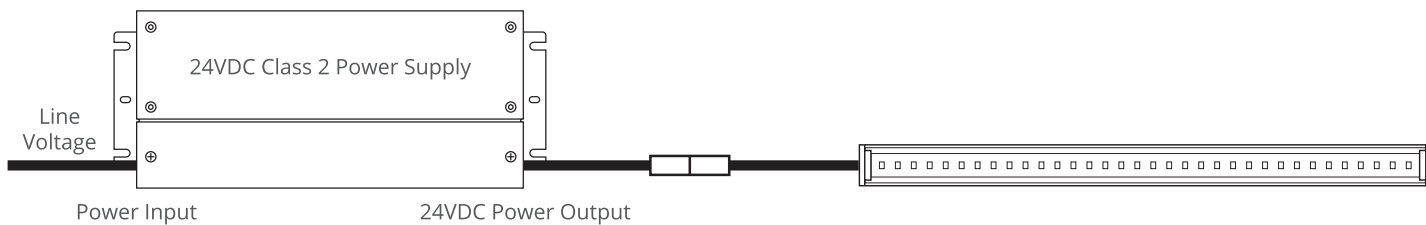
MOUNTING COMPLETED



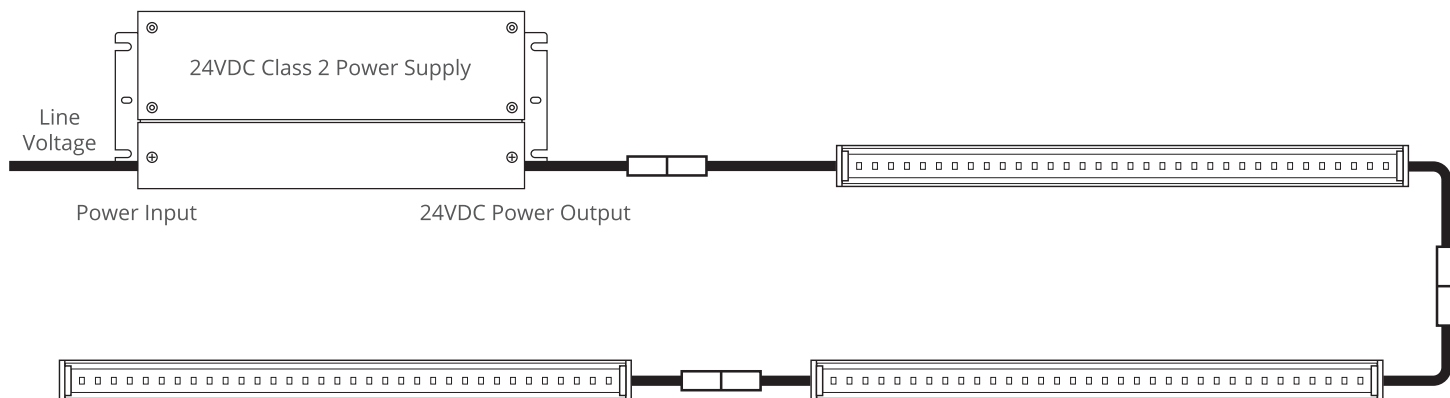
INSTALLING THE PRODUCT

The following examples depict typical system setups / connections. Your setup may vary based on the specific configuration of your product.

SINGLE CONNECTION SYSTEM SETUP



DAISY CHAIN SYSTEM SETUP



4-WAY SPLITTER SYSTEM SETUP

