

TBS 600 Conveyor Spec Sheet

Conveyors

Conveyor horizontal reach

Maximum at 0°	(31.08m)
Maximum at 29°	(27.20m)
Conveyor belt width	(610mm)
Feed conveyor length	(11.60m)
Feed conveyor belt width	(610mm)
Trunk/end hose length	(4.57m)

Discharge height from grade

Maximum at 29°	(16.78m)
Maximum at -15°	(-6.34m)
Rated capacity at 0° main & feed conveyors	(7.65m ³ /min) (458m ³ /hr)
Rated capacity up to 20° main & feed conveyors	(4.81m ³ /min) (288m ³ /hr)

Outriggers

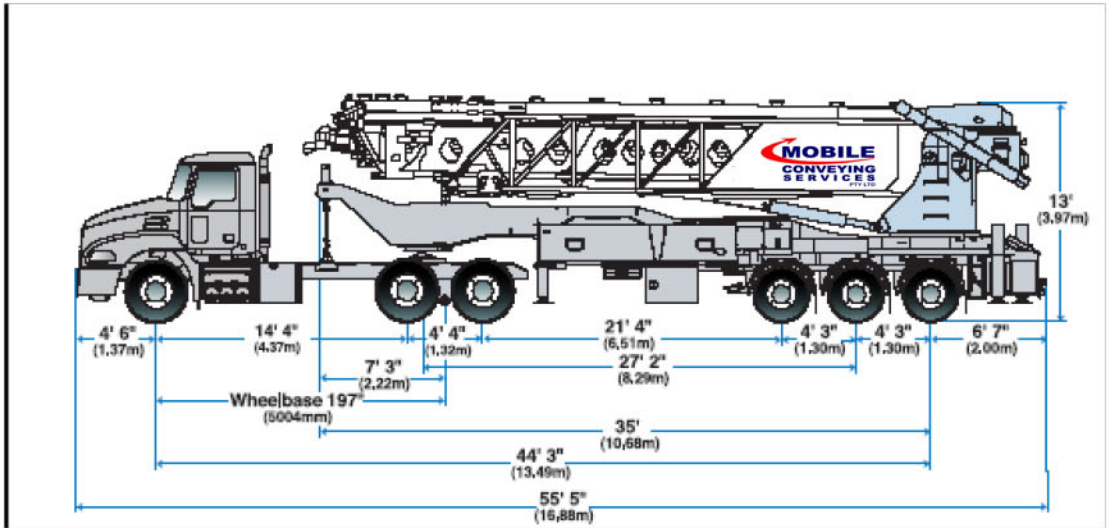
Net reach beyond outriggers

at 0°	(29.30m)
at 29°	(24.00m)
Outrigger spread L - R — front hydraulic extend out/down	(8.56m)
Outrigger spread L - R — rear hydraulic extend out/down	(8.10m)

General Specifications

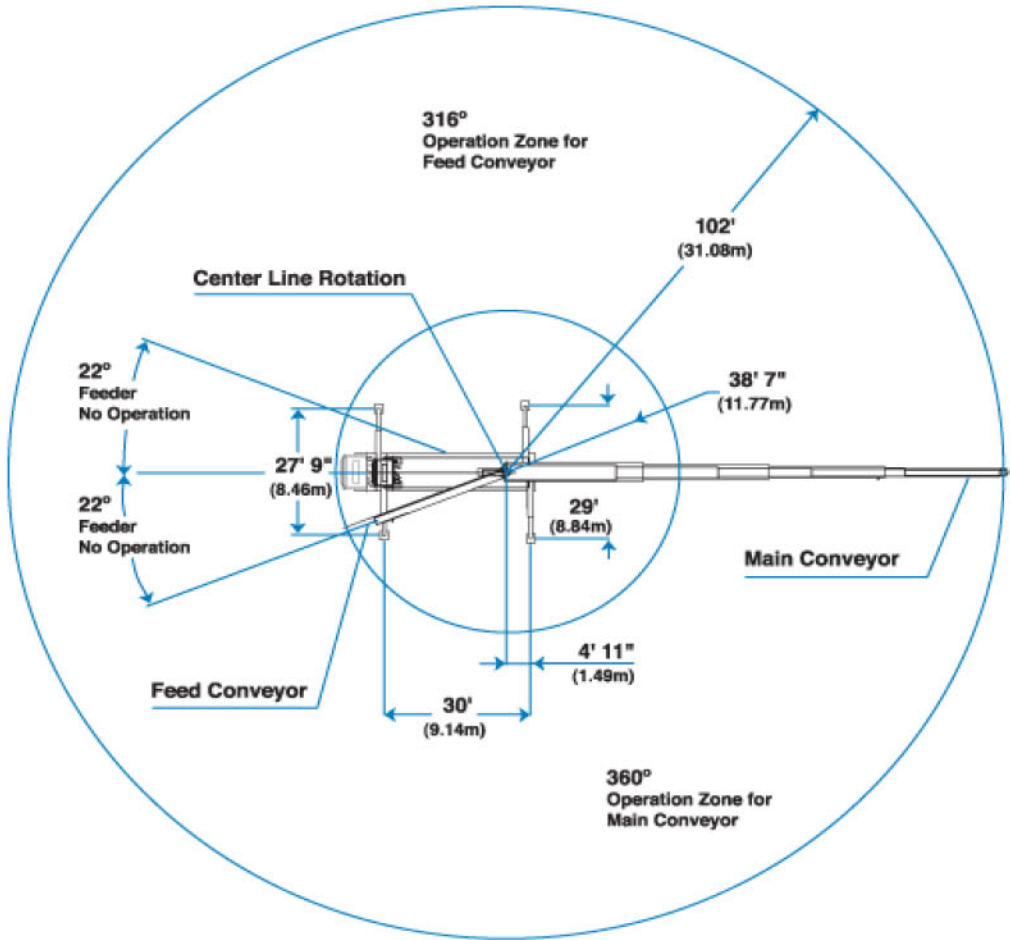
Water tank capacity	(644L)
Hydraulic oil tank capacity with cooler	(492L)

Features: TBS 600 Specification Drawing



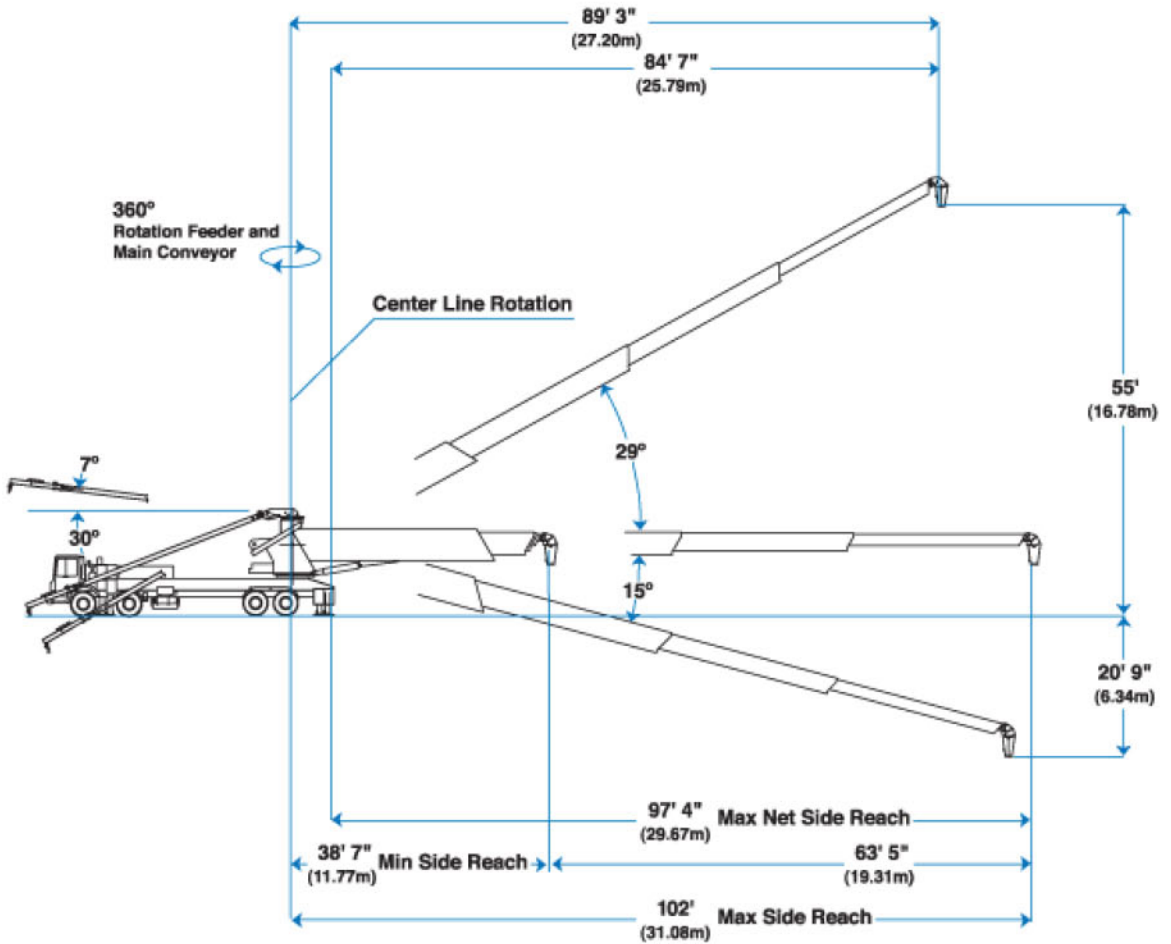
MINING

Features: TBS 600 Operation Zone



SHIPPING

Features: TBS 600



CONSTRUCTION