

EMT Datasheet

EMT-4285-1-4-FT



This Energy Machines™ model contains four oil-free centrifugal turbocompressors and one refrigerant circuit. The compressors are classified as non-positive displacement compressors.

This model is equipped with a flash tank, increasing its energy efficiency. The machine's evaporator and condenser are shell-and-tube heat exchangers. The evaporator operates with a flooded evaporation technique.

These components work together to create a powerful and efficient machine.

Performance

Heating		Cooling	
Heating power	1388 kW	Heating power	1422 kW
Cooling power	1011 kW	Cooling power	1102 kW
COP	3.68	COP	3.44

Design parameters

Heating		Cooling	
Heated fluid (in/out)	57°C / 63°C	Heated fluid (in/out)	37°C / 43°C
Chilled fluid (in/out)	12°C / 7°C	Chilled fluid (in/out)	12°C / 7°C
Chilled fluid: water, Heated fluid: water			

Pressure drop at rated flow

Heating		Cooling	
Heated fluid	31.3 kPa / 55.26 l/s	Heated fluid	34.9 kPa / 56.62 l/s
Chilled fluid	21.7 kPa / 48.3 l/s	Chilled fluid	25.4 kPa / 52.65 l/s

Rated flow

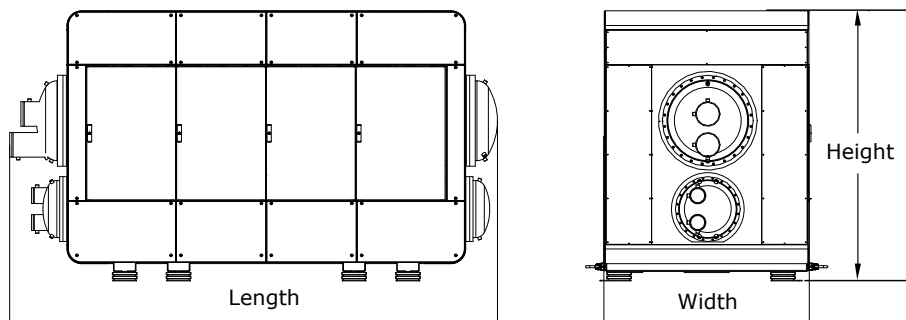
Heating		Cooling	
Heated fluid	55.26 l/s	Heated fluid	56.62 l/s
Chilled fluid	48.3 l/s	Chilled fluid	52.65 l/s

Refrigerant

Type	R1234ze
GWP value	1.37
Charge	420 kg

Dimensions

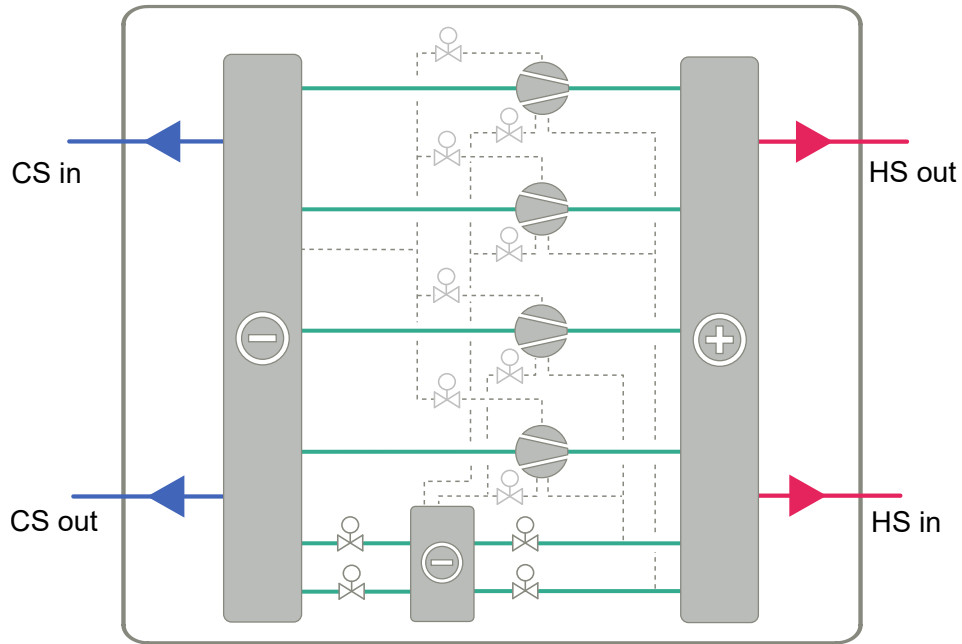
Length / Width / Height	4350 mm / 1830 mm / 2406 mm
Weight (dry/commissioned)	8200 kg / 9000 kg



Electricity

Rated power supply	400 VAC / 50 Hz / 3 phase
Rated power input	400 kW
Rated current	600 A
Fuse	800 A

Flow diagram



Energy Machines has a policy of continuous product and data improvement and reserves the right to change design and specifications without notice. While Energy Machines strives for accuracy, we do not guarantee the completeness or correctness of the information.

