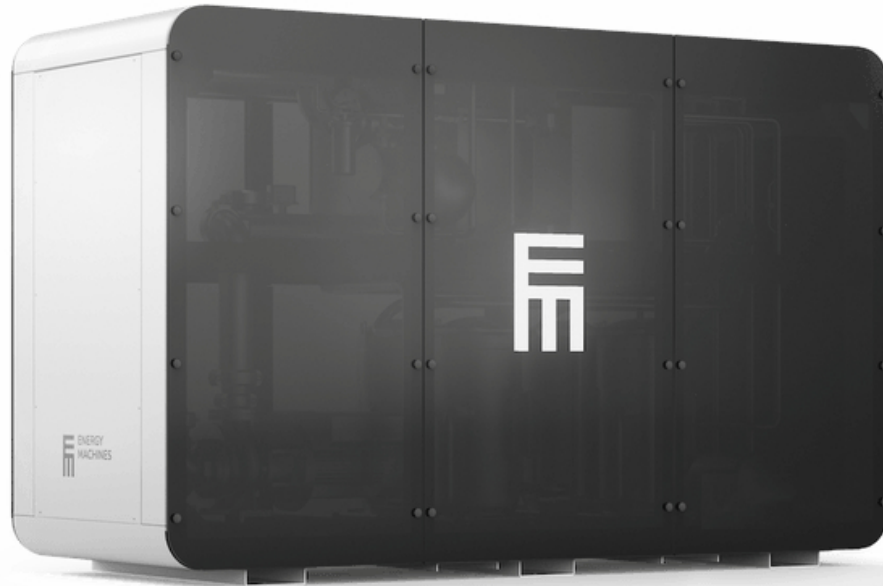


EMT Datasheet

EMT-4310-1-4-FT



This Energy Machines™ model contains four oil-free centrifugal turbocompressors and one refrigerant circuit. The compressors are classified as non-positive displacement compressors.

This model is equipped with a flash tank, increasing its energy efficiency. The machine's evaporator and condenser are shell-and-tube heat exchangers. The evaporator operates with a flooded evaporation technique.

These components work together to create a powerful and efficient machine.

Performance

| Heating | | Cooling | |
|---------------|---------|---------------|---------|
| Heating power | 1516 kW | Heating power | 1628 kW |
| Cooling power | 1156 kW | Cooling power | 1312 kW |
| COP | 4.21 | COP | 4.14 |

Design parameters

| Heating | | Cooling | |
|-------------------------------------------|-------------|------------------------|-------------|
| Heated fluid (in/out) | 47°C / 53°C | Heated fluid (in/out) | 37°C / 43°C |
| Chilled fluid (in/out) | 12°C / 7°C | Chilled fluid (in/out) | 12°C / 7°C |
| Chilled fluid: water, Heated fluid: water | | | |

Pressure drop at rated flow

| Heating | | Cooling | |
|---------------|----------------------|---------------|----------------------|
| Heated fluid | 35.1 kPa / 60.36 l/s | Heated fluid | 41.3 kPa / 64.82 l/s |
| Chilled fluid | 27.8 kPa / 55.23 l/s | Chilled fluid | 35.1 kPa / 62.69 l/s |

Rated flow

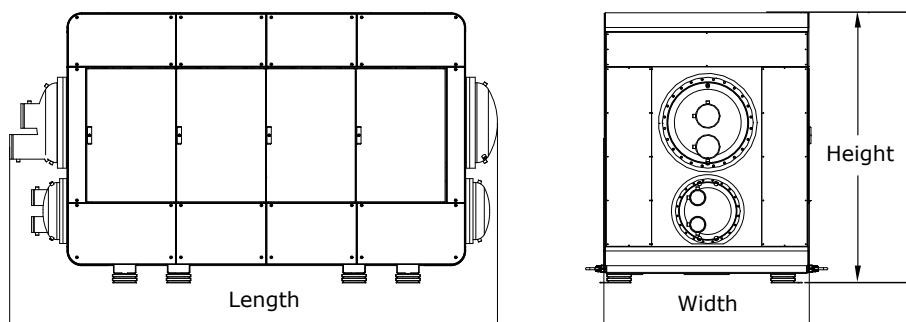
| Heating | | Cooling | |
|---------------|-----------|---------------|-----------|
| Heated fluid | 60.36 l/s | Heated fluid | 64.82 l/s |
| Chilled fluid | 55.23 l/s | Chilled fluid | 62.69 l/s |

Refrigerant

| | |
|-----------|---------|
| Type | R1234ze |
| GWP value | 1.37 |
| Charge | N/A kg |

Dimensions

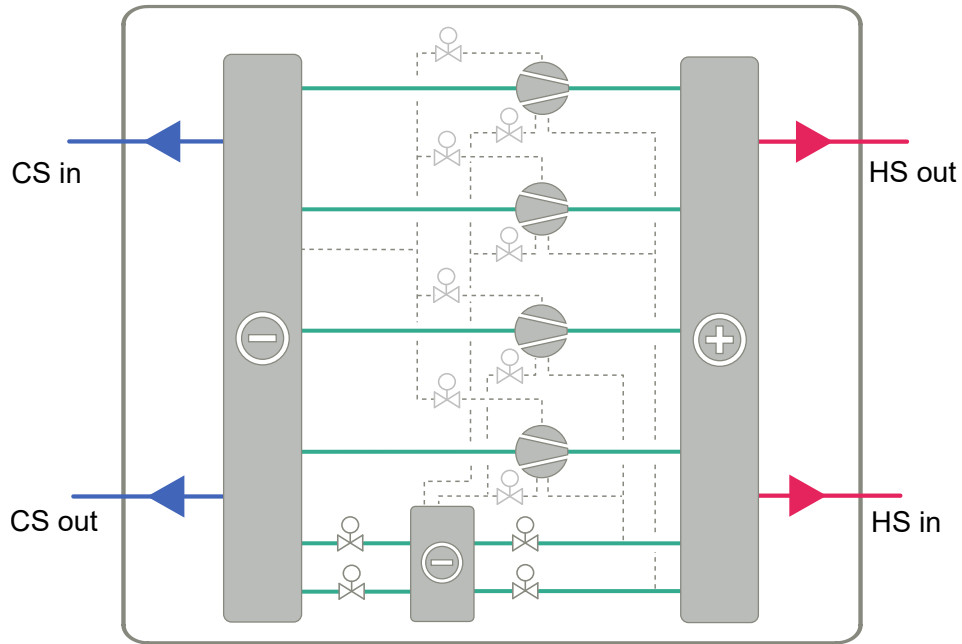
| | |
|---------------------------|--------------------------|
| Length / Width / Height | N/A mm / N/A mm / N/A mm |
| Weight (dry/commissioned) | N/A kg / N/A kg |



Electricity

| | |
|--------------------|---------------------------|
| Rated power supply | 400 VAC / 50 Hz / 3 phase |
| Rated power input | 400 kW |
| Rated current | 600 A |
| Fuse | 800 A |

Flow diagram



Energy Machines has a policy of continuous product and data improvement and reserves the right to change design and specifications without notice. While Energy Machines strives for accuracy, we do not guarantee the completeness or correctness of the information.

