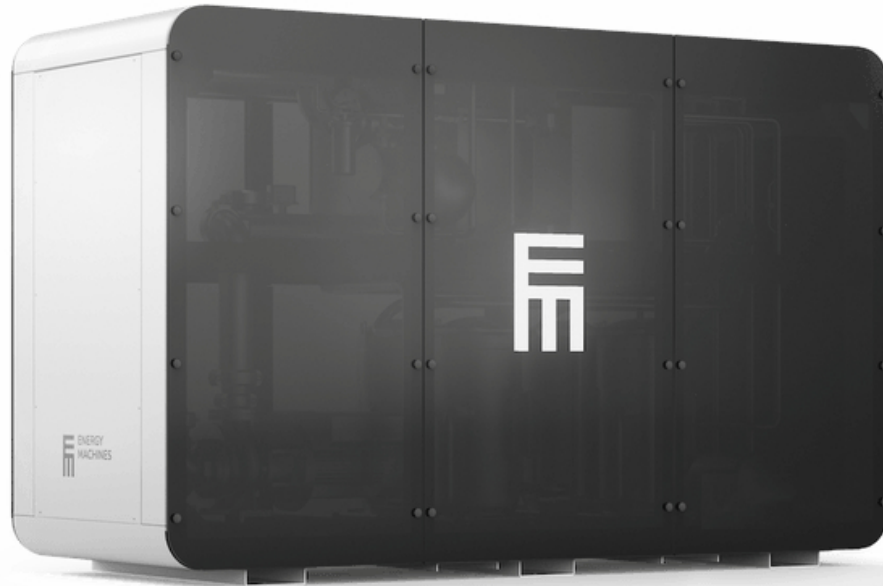


## EMT Datasheet

EMT-2285-2-4-ECO



This Energy Machines™ model contains two oil-free centrifugal turbocompressors and two refrigerant circuits. The compressors are classified as non-positive displacement compressors.

This model is equipped with two economizer heat exchangers, increasing its energy efficiency. The machine's evaporator and condenser are shell-and-tube heat exchangers. The evaporator operates with a flooded evaporation technique.

These components work together to create a powerful and efficient machine.

## Performance

Heating		Cooling	
Heating power	694 kW	Heating power	711 kW
Cooling power	505 kW	Cooling power	551 kW
COP	3.68	COP	3.44

## Design parameters

Heating		Cooling	
Heated fluid (in/out)	57°C / 63°C	Heated fluid (in/out)	37°C / 43°C
Chilled fluid (in/out)	12°C / 7°C	Chilled fluid (in/out)	12°C / 7°C
Chilled fluid: water, Heated fluid: water			

## Pressure drop at rated flow

Heating		Cooling	
Heated fluid	44.8 kPa / 27.63 l/s	Heated fluid	47.8 kPa / 28.31 l/s
Chilled fluid	41.2 kPa / 24.13 l/s	Chilled fluid	48.1 kPa / 26.33 l/s

## Rated flow

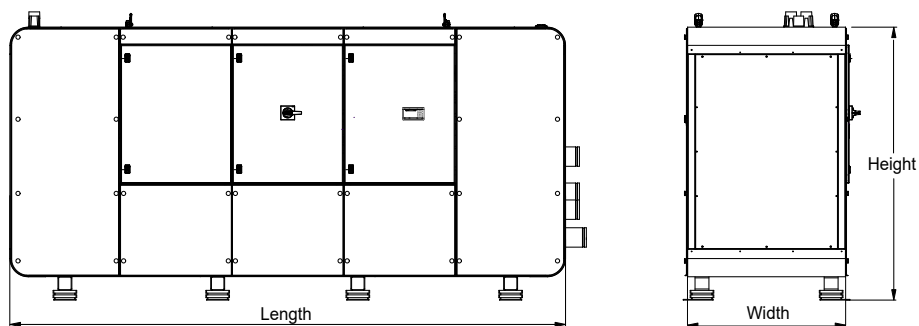
Heating		Cooling	
Heated fluid	27.63 l/s	Heated fluid	28.31 l/s
Chilled fluid	24.13 l/s	Chilled fluid	26.33 l/s

## Refrigerant

Type	R1234ze
GWP value	1.37
Charge	N/A kg

## Dimensions

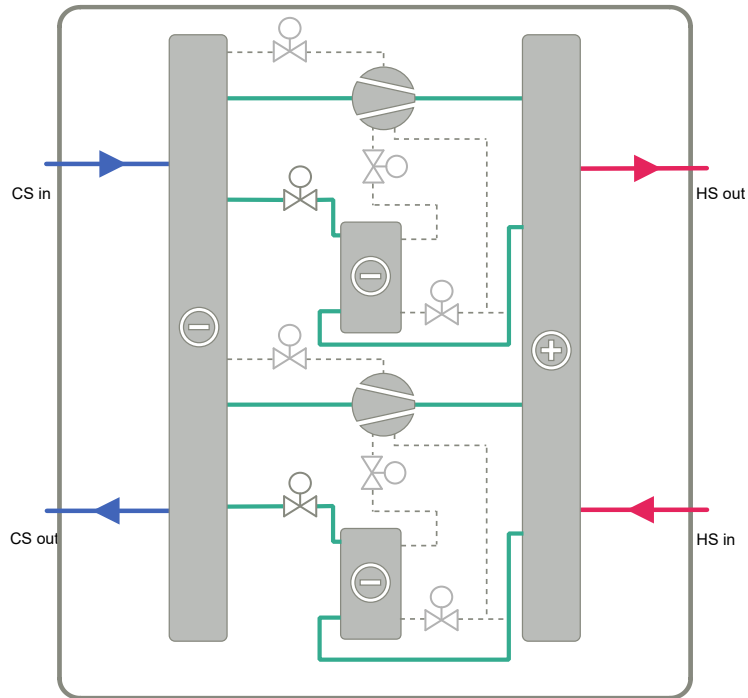
Length / Width / Height	4000 mm / 1260 mm / 1965 mm
Weight (dry/commissioned)	N/A kg / N/A kg



## Electricity

Rated power supply	400 VAC / 50 Hz / 3 phase
Rated power input	200 kW
Rated current	300 A
Fuse	400 A

## Flow diagram



*Energy Machines has a policy of continuous product and data improvement and reserves the right to change design and specifications without notice. While Energy Machines strives for accuracy, we do not guarantee the completeness or correctness of the information.*

