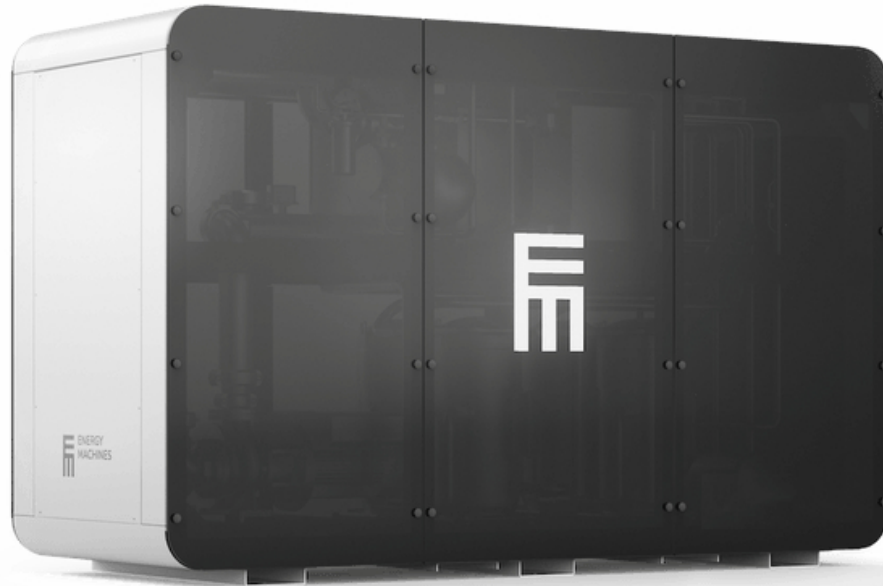


## EMT Datasheet

EMT-1310-1-4-ECO



This Energy Machines™ EMT model contains a refrigerant circuit with an oil-free centrifugal turbocompressor. It is classified as a non-positive displacement compressor.

This model is equipped with an economizer heat exchanger, increasing its energy efficiency. The machine's evaporator and condenser are shell-and-tube heat exchangers. The evaporator operates with a flooded evaporation technique.

These components work together to create a powerful and efficient machine.

## Performance

Heating		Cooling	
Heating power	379 kW	Heating power	407 kW
Cooling power	286 kW	Cooling power	330 kW
COP	4.21	COP	4.14

## Design parameters

Heating		Cooling	
Heated fluid (in/out)	47°C / 53°C	Heated fluid (in/out)	37°C / 43°C
Chilled fluid (in/out)	12°C / 7°C	Chilled fluid (in/out)	12°C / 7°C
Chilled fluid: water, Heated fluid: water			

## Pressure drop at rated flow

Heating		Cooling	
Heated fluid	18.2 kPa / 15.09 l/s	Heated fluid	21.1 kPa / 16.2 l/s
Chilled fluid	24.1 kPa / 13.66 l/s	Chilled fluid	32 kPa / 15.77 l/s

## Rated flow

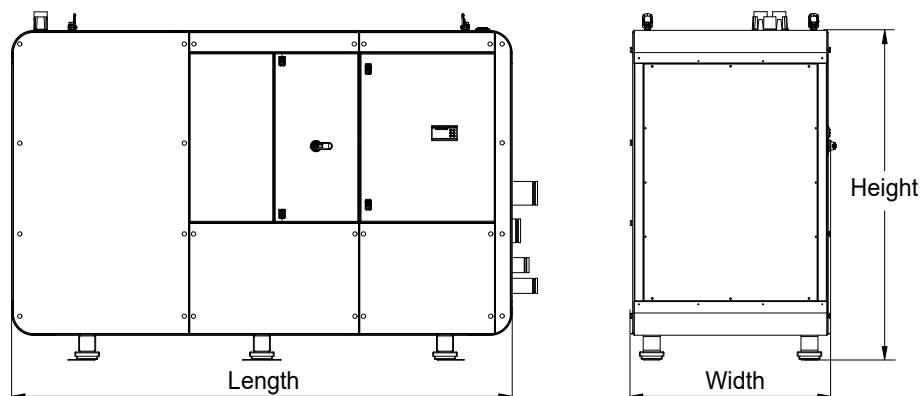
Heating		Cooling	
Heated fluid	15.09 l/s	Heated fluid	16.2 l/s
Chilled fluid	13.66 l/s	Chilled fluid	15.77 l/s

## Refrigerant

Type	R1234ze
GWP value	1.37
Charge	N/A kg

## Dimensions

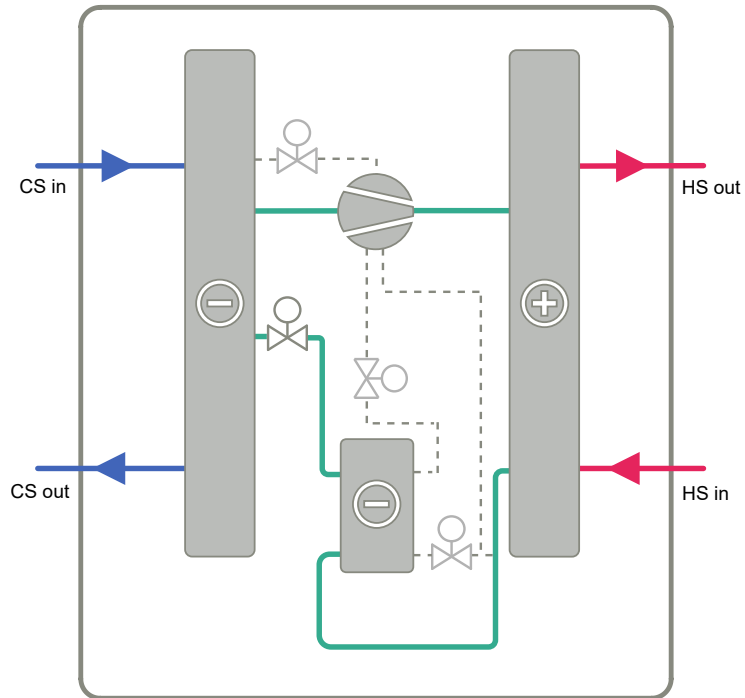
Length / Width / Height	2950 mm / 1210 mm / 1945 mm
Weight (dry/commissioned)	2300 kg / 2700 kg



## Electricity

Rated power supply	400 VAC / 50 Hz / 3 phase
Rated power input	100 kW
Rated current	150 A
Fuse	200 A

## Flow diagram



*Energy Machines has a policy of continuous product and data improvement and reserves the right to change design and specifications without notice. While Energy Machines strives for accuracy, we do not guarantee the completeness or correctness of the information.*

