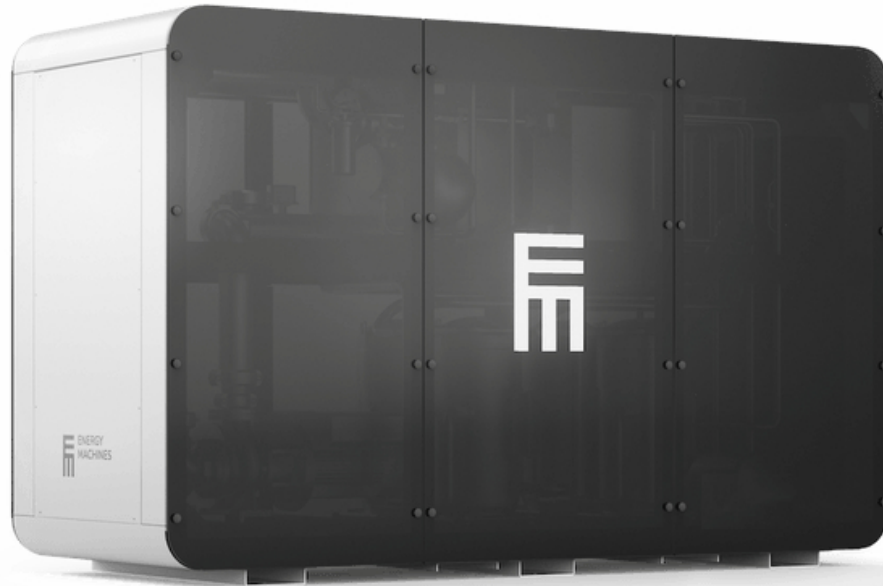


EMT Datasheet

EMT-1490-1-4-ECO



This Energy Machines™ EMT model contains a refrigerant circuit with an oil-free centrifugal turbocompressor. It is classified as a non-positive displacement compressor.

This model is equipped with an economizer heat exchanger, increasing its energy efficiency. The machine's evaporator and condenser are shell-and-tube heat exchangers. The evaporator operates with a flooded evaporation technique.

These components work together to create a powerful and efficient machine.

Performance

Heating		Cooling	
Heating power	589 kW	Heating power	645 kW
Cooling power	457 kW	Cooling power	515 kW
COP	4.47	COP	3.91

Design parameters

Heating		Cooling	
Heated fluid (in/out)	47°C / 53°C	Heated fluid (in/out)	37°C / 43°C
Chilled fluid (in/out)	12°C / 7°C	Chilled fluid (in/out)	12°C / 7°C
Chilled fluid: water, Heated fluid: water			

Pressure drop at rated flow

Heating		Cooling	
Heated fluid	17.3 kPa / 23.45 l/s	Heated fluid	20.8 kPa / 25.68 l/s
Chilled fluid	14.2 kPa / 21.83 l/s	Chilled fluid	17.6 kPa / 24.61 l/s

Rated flow

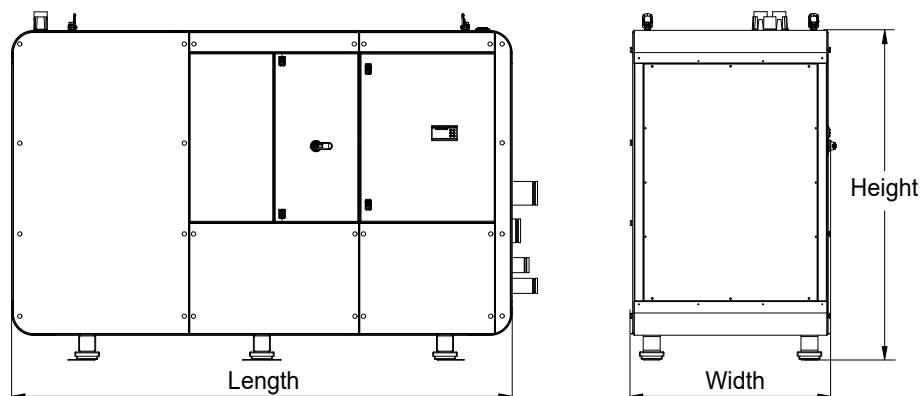
Heating		Cooling	
Heated fluid	23.45 l/s	Heated fluid	25.68 l/s
Chilled fluid	21.83 l/s	Chilled fluid	24.61 l/s

Refrigerant

Type	R1234ze
GWP value	1.37
Charge	N/A kg

Dimensions

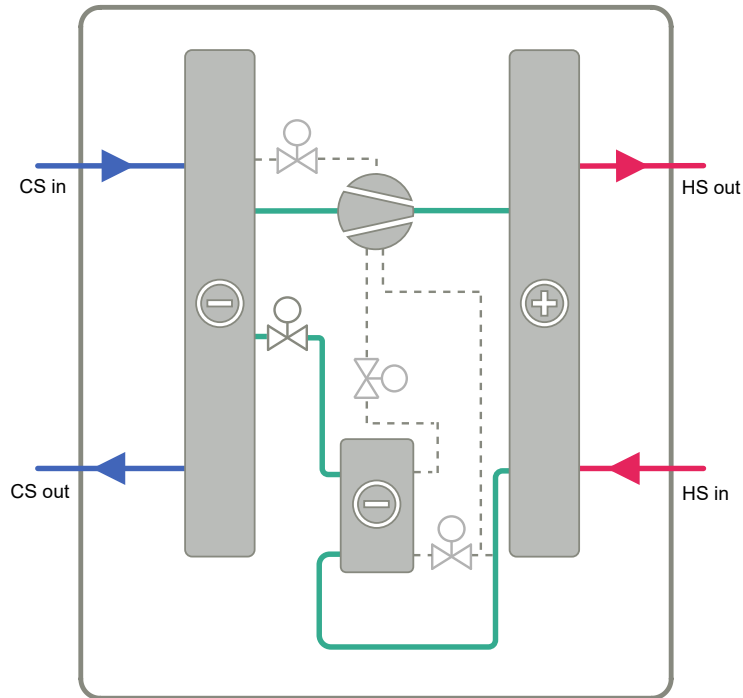
Length / Width / Height	2950 mm / 1210 mm / 1945 mm
Weight (dry/commissioned)	2900 kg / 3300 kg



Electricity

Rated power supply	400 VAC / 50 Hz / 3 phase
Rated power input	133 kW
Rated current	210 A
Fuse	250 A

Flow diagram



Energy Machines has a policy of continuous product and data improvement and reserves the right to change design and specifications without notice. While Energy Machines strives for accuracy, we do not guarantee the completeness or correctness of the information.

