

FLEX SR Series is a high performance linear LED with high CRI, tight LED spacing and an economical price.

SPECIFICATION

SERIES	WATTAGE	COLOR**	IP RATING	VOLTAGE	LENGTH
FLEXSR	20=2.0 W/ft. 45=4.5 W/ft.	23=2350K 27=2700K 30=3000K 41=41000K	20=IP20 Indoor	24=24 VDC	5M=196 inches (5 meter) Reel XX= Custom Length (inches)

**RGB, RGBW & OTHER COLORS AVAILABLE CONSULT FACTORY

ELECTRICAL

Input Voltage	24VDC
Dimming Options	MLV, 0-10V, DMX, Lutron
Power Consumption	2.0 or 4.5 W/ft.
Wire Size	20AWG, 2 Wire
Regulatory	UL Listed file E468751
Max Run Length per feed	
FlexSR20	44' = (96W)
FlexSR45	22' = (96W)

PHYSICAL

Field Cuttable	Every 2.0" (50.8mm)
Operating Temperature	-20°C (-40°F) to +50°C (+122°F)
Environment	IP20 Indoor
Max Reel Length	FlexSR20=32' FlexSR45=16'

DIMENSIONS

FLEXSR-20	
Width	0.33" (8.00mm)
Height	0.125" (3.0mm)
Cuttable Segment Length	4.0" (100mm)
Pitch Length	0.625" (17.0mm)
FLEXSR-45	
Width	0.39" (10.05mm)
Height	0.125" (3.0mm)
Cuttable Segment Length	2.0" (50.00mm)
Pitch Length	0.33" (8.50mm)

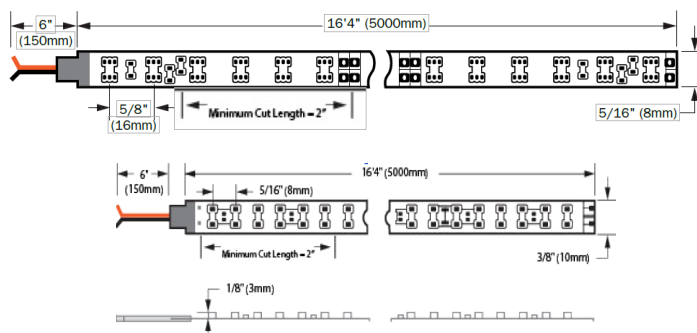
LUMEN OUTPUT

INDOOR	
FlexSR20	2.0W/ftX85lum/W=170 lum/ft
FlexSR45	4.5W/ftX85lum/W=383 lum/ft

PERFORMANCE

CRI	95+
Binning Tolerance	+/-100K
Warranty	5 years

DRAWINGS



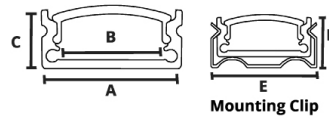
QUICK SPEC GUIDE
CHANNEL PART NUMBER BREAKDOWN

SERIES	DIMENSIONS	APPLICATION	LENS	LENGTH
AMC = Aluminum Mounting Channel	XXXX = W x H (mm)	S = Surface Mount R = Recessed Channel C = Corner Mount M = Mud In Channel	C=Clear lens O=Opal lens G=Grazer lens	1M=39 Inches 2M=78 Inches

AMC-1707-S
MATERIAL
Anodized Aluminum

DESCRIPTION
Slim and shallow surface mount channel

LENGTH
39", 78"

LENS TYPES
Clear=C
Opal=O
Grazer=G


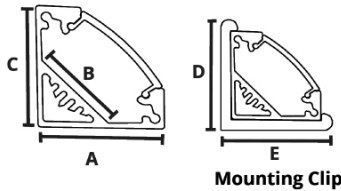
- A:** 0.68" (17.25mm)
- B:** 0.50" (12.59mm)
- C:** 0.34" (8.60mm)
- D:** 0.40" (12.70mm)
- E:** 0.78" (19.90mm)

ACCESSORIES
 Endcap AMC-1707-S-EC
 Endcap w/hole AMC-1707-S-ECL
 Mounting Clip AMC-1707-S-MC

AMC-1919-C
MATERIAL
Anodized Aluminum

DESCRIPTION
Slim corner channel

LENGTH
39", 78"

LENS TYPES
Clear=C
Opal=O


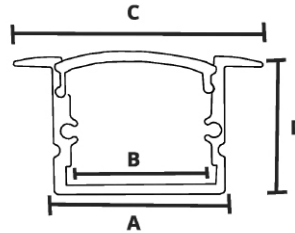
- A:** 0.73" (18.50mm)
- B:** 0.48" (12.20mm)
- C:** 0.73" (18.50mm)
- D:** 0.82" (20.82mm)
- E:** 0.82" (20.82mm)

ACCESSORIES
 Endcap AMC-1919-C-EC
 Endcap w/hole AMC-1919-C-ECL
 Mounting Clip AMC-1919-C-MC

AMC-1715-R
MATERIAL
Anodized Aluminum

DESCRIPTION
Slim and deep recessed channel

LENGTH
39", 78"

LENS TYPES
Clear=C
Opal=O
Grazer=G


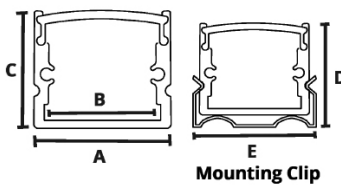
- A:** 0.68" (17.25mm)
- B:** 0.58" (14.75mm)
- C:** 0.98" (25.00mm)
- D:** 0.59" (15.05mm)

ACCESSORIES
 Endcap AMC-1715-R-EC
 Endcap w/hole AMC-1715-R-ECL

AMC-1715-S
MATERIAL
Anodized Aluminum

DESCRIPTION
Slim and deep surface mounted channel

LENGTH
39", 78"

LENS TYPES
Clear=C
Opal=O
Grazer=G


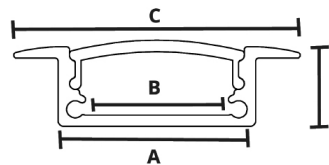
- A:** 0.68" (17.25mm)
- B:** 0.48" (12.30mm)
- C:** 0.59" (15.05mm)
- D:** 0.66" (16.76mm)
- E:** 0.78" (19.90mm)

ACCESSORIES
 Endcap AMC-1715-S-EC
 Endcap w/hole AMC-1715-S-ECL
 Mounting Clip AMC-1715-S-MC

AMC-1707-R
MATERIAL
Anodized Aluminum

DESCRIPTION
Slim and shallow recessed channel

LENGTH
39", 78"

LENS TYPES
Clear=C
Opal=O
Grazer=G


- A:** 0.68" (17.25mm)
- B:** 0.50" (12.59mm)
- C:** 0.98" (25.00mm)
- D:** 0.34" (8.60mm)

ACCESSORIES
 Endcap AMC-1707-R-EC
 Endcap w/hole AMC-1707-R-ECL


QUICK SPEC GUIDE
AMC-1407-S
MATERIAL

Anodized Aluminum

DESCRIPTION

Slim and shallow surface channel.

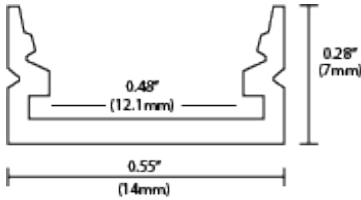
LENGTH

39", 78"

LENS TYPES

 Clear=C
Opal=O

ACCESSORIES

 Endcap AMC-1407-S-EC
Endcap w/hole AMC-1407-S-ECL

AMC-2111-R
MATERIAL

Anodized Aluminum

DESCRIPTION

Slim and shallow recessed mount channel.

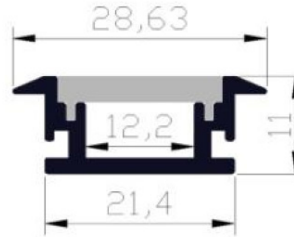
LENGTH

39", 78"

LENS TYPES

Opal=O

ACCESSORIES

 Endcap AMC-2111-R-EC
Endcap w/hole AMC-2111-R-ECL

AMC-1616-C
MATERIAL

Anodized Aluminum

DESCRIPTION

Slim corner channel with rounded lens

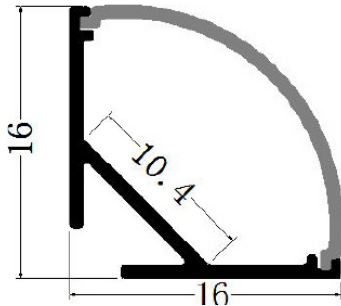
LENGTH

39", 78"

LENS TYPES

 Clear=C
Opal=O

ACCESSORIES

 Endcap AMC-1616-C-EC
Endcap w/hole AMC-1616-C-ECL
Mounting Clip AMC-1616-C-MC

AMC-1999-M
MATERIAL

Anodized Aluminum

DESCRIPTION

Mud in channel and lens

LENGTH

39", 78"

LENS TYPES

Opal=O

ACCESSORIES

 Endcap AMC-1999-M-EC
Endcap w/hole AMC-1999-M-ECL

AMC-2020-S-RO
MATERIAL

Anodized Aluminum

DESCRIPTION

Slim and deep surface mounted channel

LENGTH

39", 78"

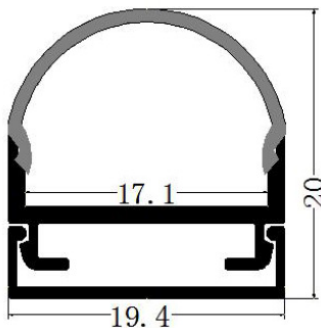
LENS TYPES

Opal=O

LENS SHAPE

Round=RO

ACCESSORIES

 Endcap AMC-2020-RO-EC
Endcap w/hole AMC-2020-RO-ECL
Mounting Clip AMC-2020-RO-MC

AMC-2020-S-SQ
MATERIAL

Anodized Aluminum

DESCRIPTION

Slim corner mount channel w/ rounded lens

LENGTH

39", 78"

LENS TYPES

Opal=O

LENS SHAPE

Square=SQ

ACCESSORIES

 Endcap AMC-2020-SQ-EC
Endcap w/hole AMC-2020-SQ-ECL
Mounting AMC-2020-SQ-MC
