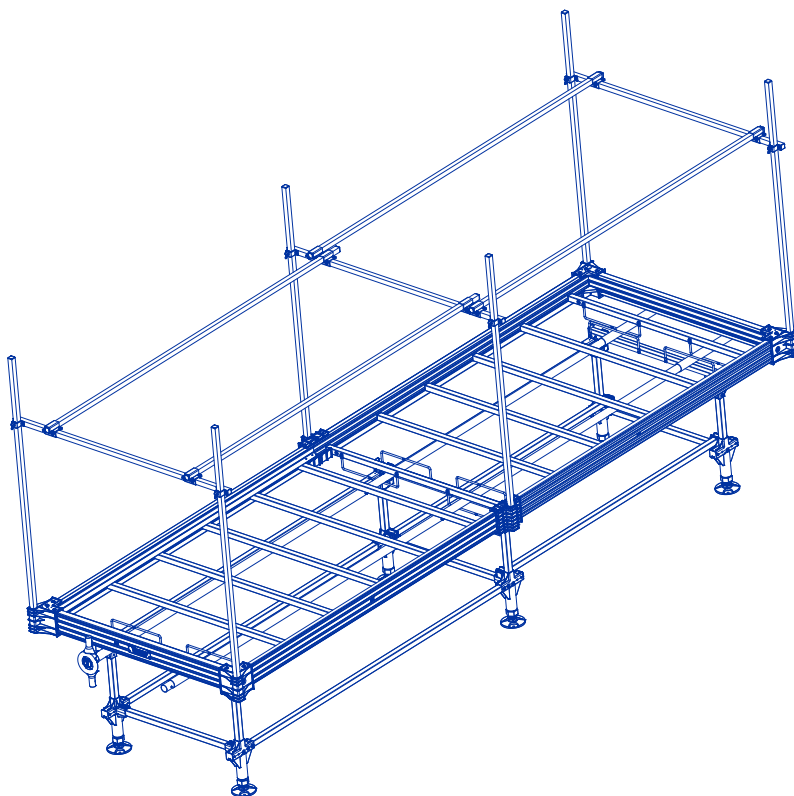




Rolling Bench Trellis Support - Box D4/D5

Assembly instructions





Bolt
① x16



Washer
② x16



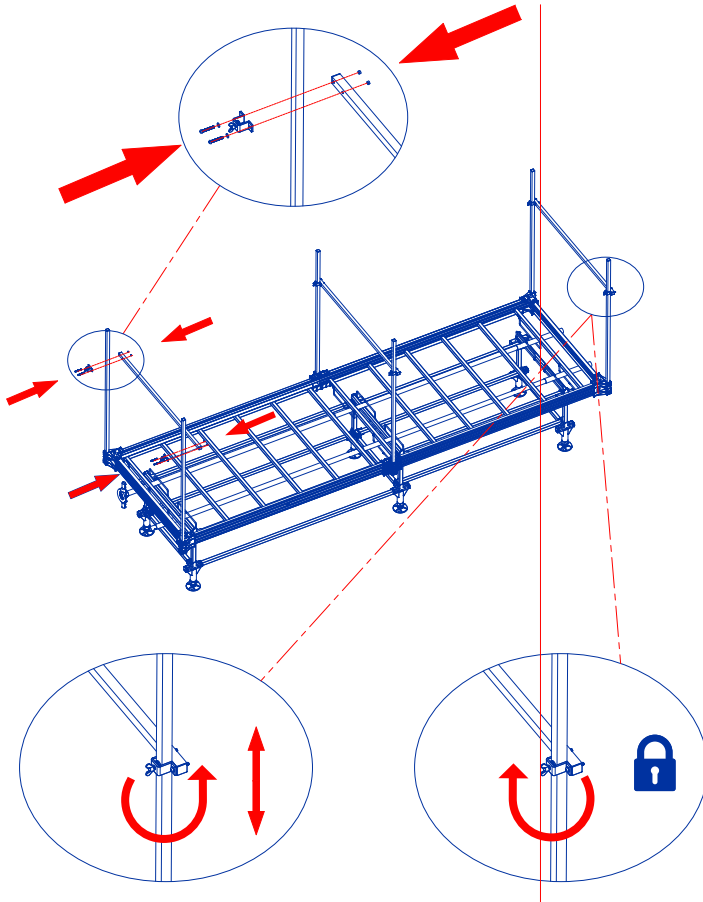
Nut
③ x16



Adjustable Connector
④ x8



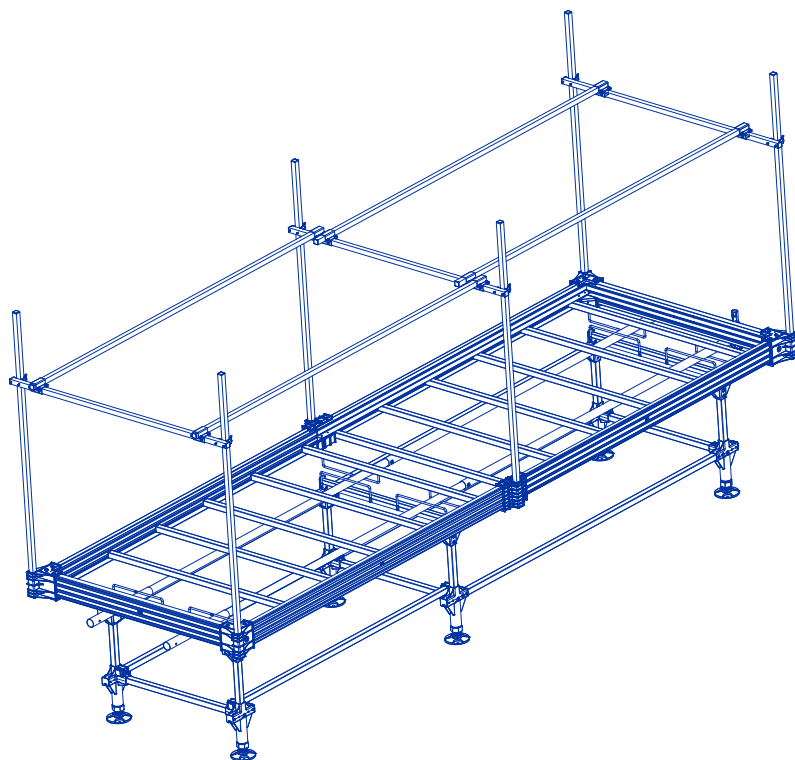
Short Runner
⑤ x4



Support Assembly

Option 1

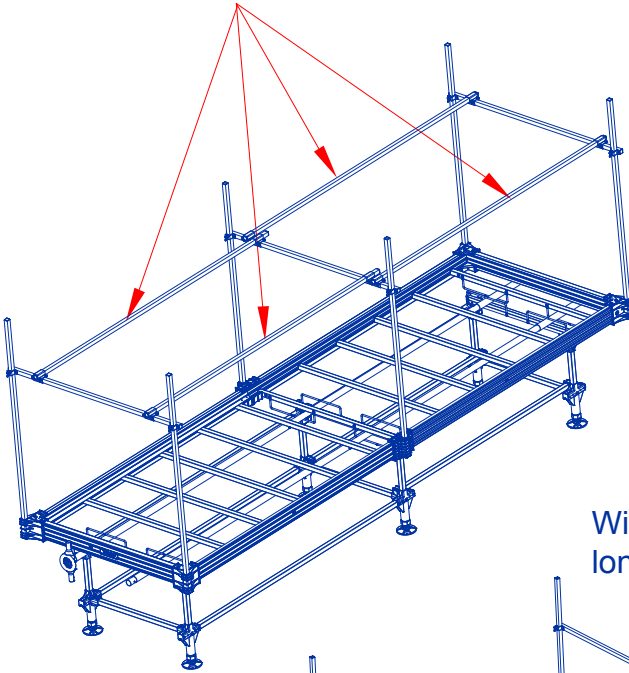
Including all the posts



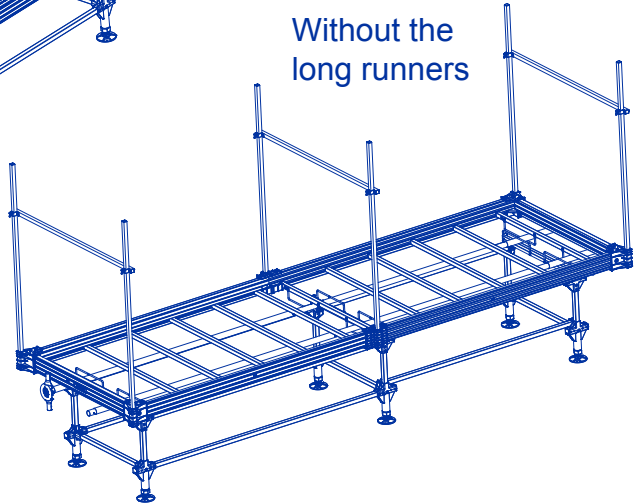
Support Assembly

Option 2

With the long runners



Without the long runners



Support Assembly