



Drying Rack
ASSEMBLY INSTRUCTIONS



This Box Includes:



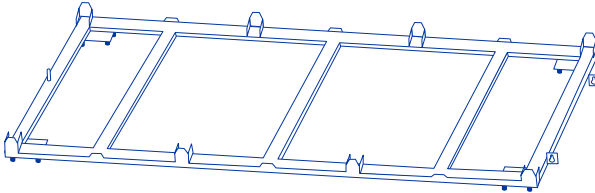
2 x Swivel casters



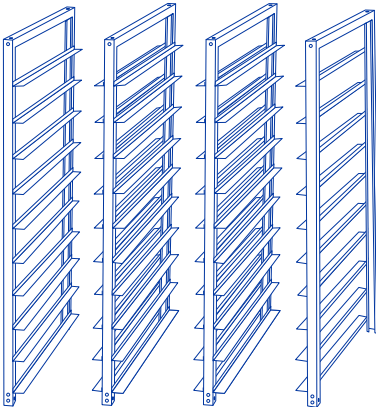
2 x Casters



16 x Lock nuts



1 x Base



4 x Support frames



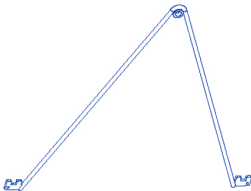
2 x Top bars



32 x Mounting bolts
(for Step 2)



32 x Mounting nuts
(for Step 2)



1 x Hitch-and-pin arm



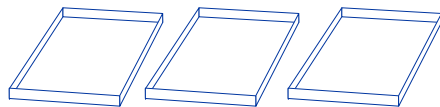
16 x Mounting bolts
(for Step 3)



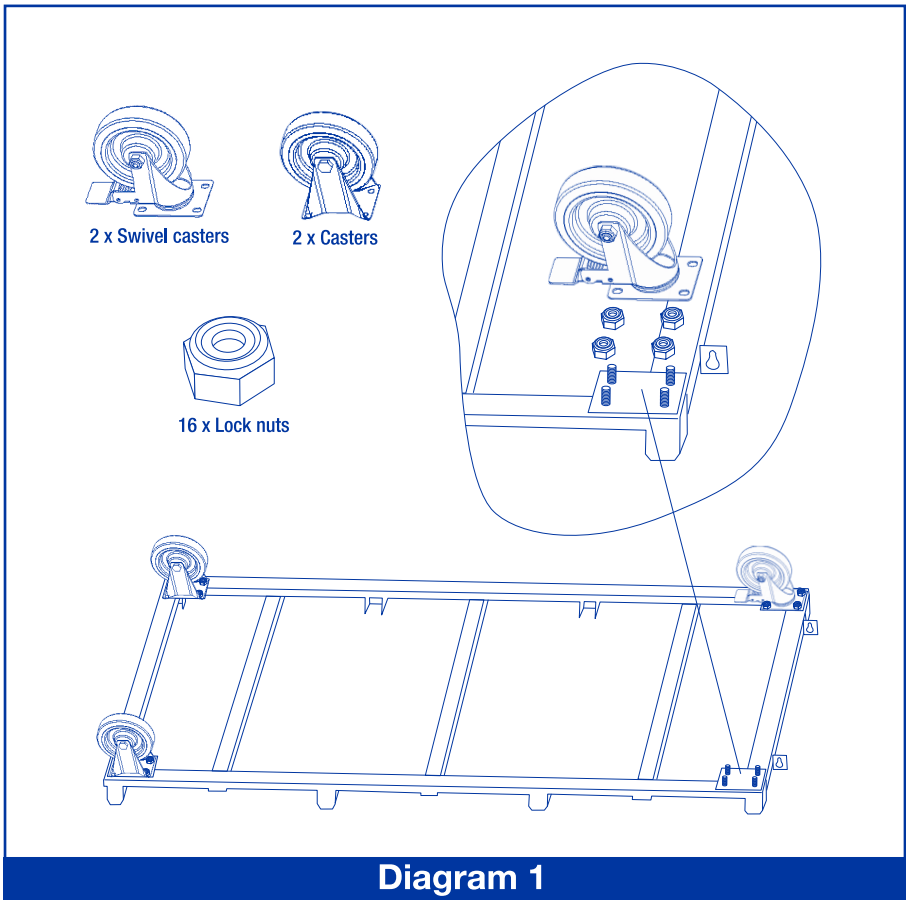
16 x Mounting nuts
(for Step 3)



1 x Cotter pin



3 x Floor trays



Step 1 – Mount the transport casters to the base.

Refer to Diagram 1 for correct placement.

Beginning with the two swivel casters, place them on the pre-installed bolts at the front end of the hanging rack near the hitch-and-pin mounts. Place the remaining two casters on the rear of the cart, opposite the swivel casters.

Install one of the included lock nuts on each of the protruding bolts. Tighten all nuts with equal tension until they are snug. Do not overtighten.

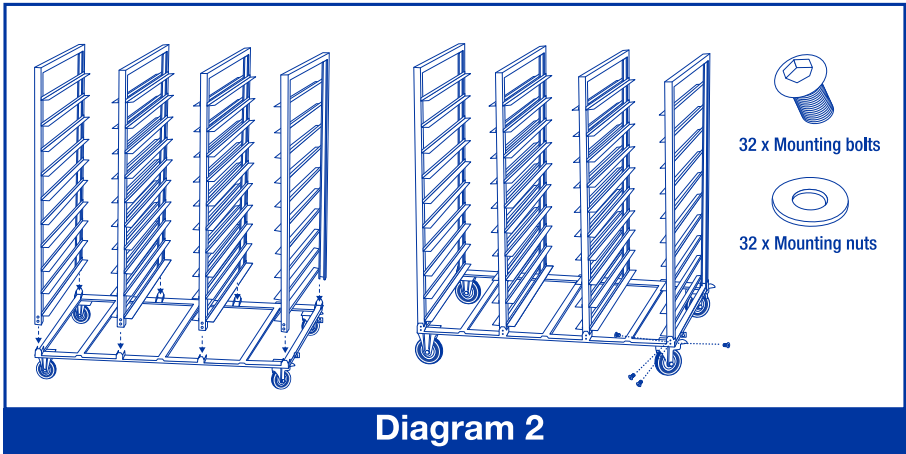


Diagram 2

Step 2 – Mount the tray support frames to the base.

Refer to Diagram 2 for correct placement.

Turn the grow cart's base over so that the base now rests on the installed casters.

Slide one of the tray support frames into the frame support mounts at the front of the grow rack. Install the included M6 mounting bolts through the 4 threaded nuts on each of the frame support mounts. Tighten all bolts with equal tension until they are snug. Do not overtighten.

Repeat these steps for the three remaining tray support racks.

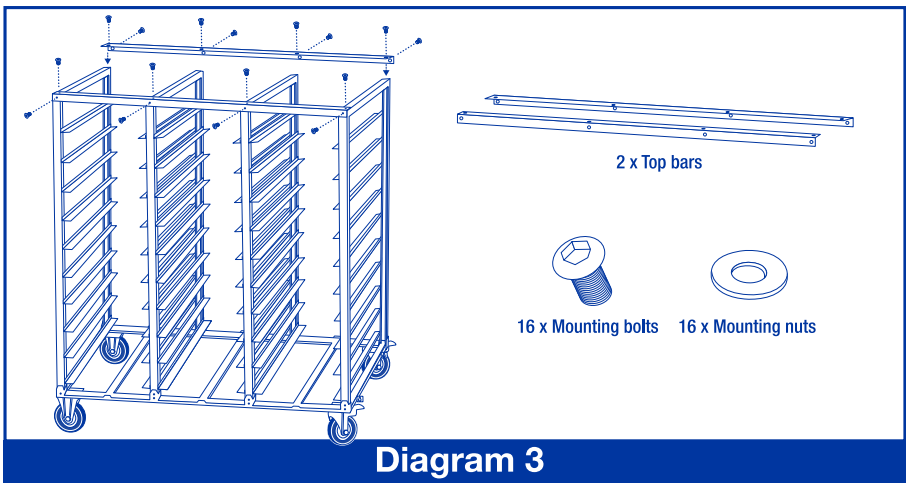
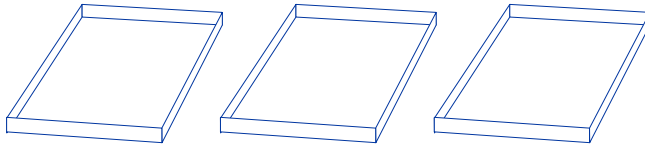


Diagram 3

Step 3 – Connect the tray support frames with the top bars.

Align the holes of one of the two top bars with the left side mounting holes at the top of the tray support frames. Loosely thread 4 of the 8 mounting bolts into their positions, then tighten all nuts with equal tension until they are snug. Do not overtighten.

Repeat this step with the second top bar for the right side.



3 x Floor trays

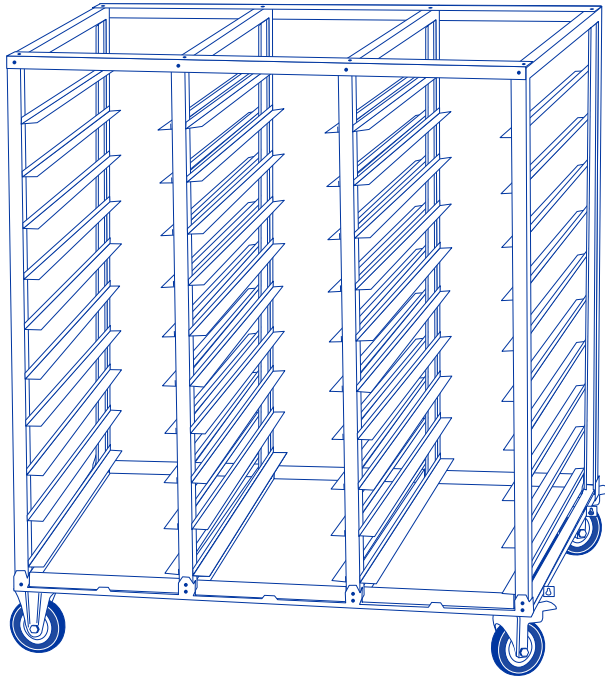


Diagram 4

Step 4 – Install the stainless steel trays on the base.

Each of the 3 stainless steel floor trays can be slid into position on the base by holding the floor tray between the tray support frame installation bolt head and the bottom most tray support. Slide the tray through and align each end with their respective support tab. With the support tabs on the outside of either end, press down on the floor tray so that it is firmly in position and rests on the base.

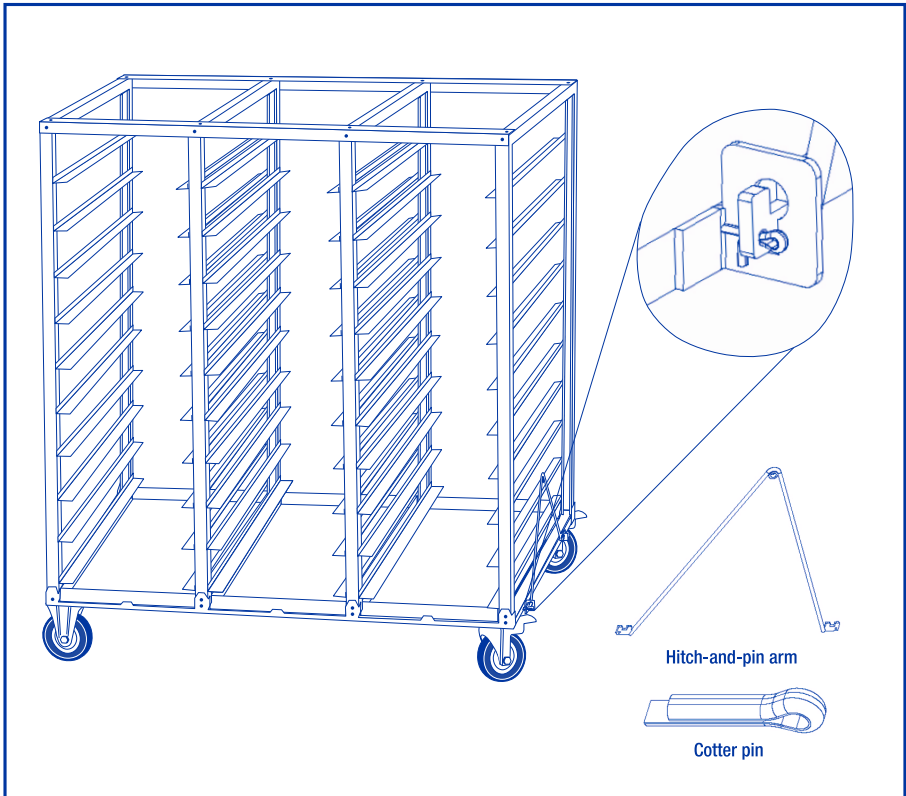


Diagram 5

Step 5 – Install the hitch-and-pin arm.

Locate the mounting brackets for the hitch-and-pin arm at the front of the hanging rack's base, between the two swivel casters. With the arm centered between the two brackets, insert one end of the arm through the rectangular hole on a mounting bracket.

Insert the opposite end of the arm through the rectangular hole of the second mounting bracket. You will need to apply some slight pressure to the second arm in order to reduce the width and align the arm with the mounting bracket hole. Once released, the arm will return to its original width.

With both ends of the hitch-and-pin arm installed, the arm should easily pivot up and down. After verifying the movement, locate the pre-drilled mounting holes at each end of the arm and insert one of the included cotter pins through each hole.

Bend each of the cotter pin lines in opposite directions to secure the hitch-and-pin arm to the hanging rack.