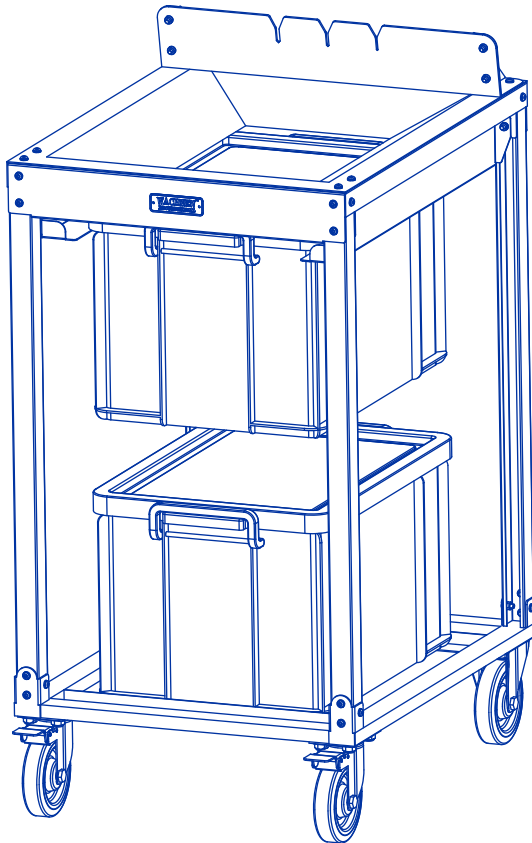
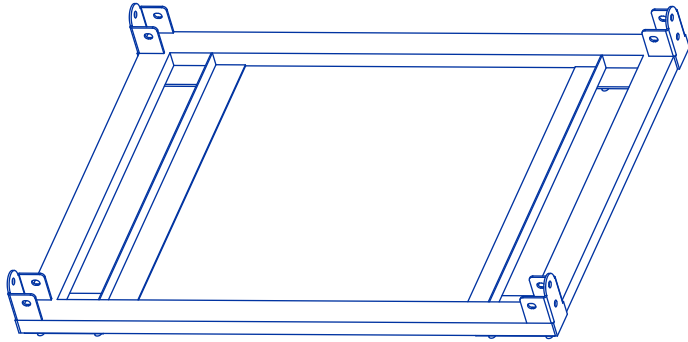




DB-6

Assembly instructions

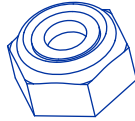




1x Base



(2x Casters)



16x M8 Lock nuts



(2x Swivel casters)

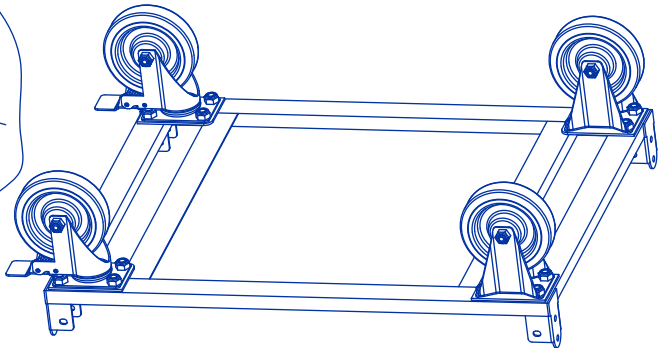
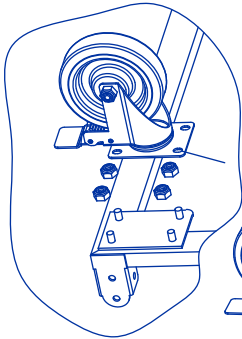


Diagram 1

Caster Wheels

Step 1: Mount the transport casters to the base



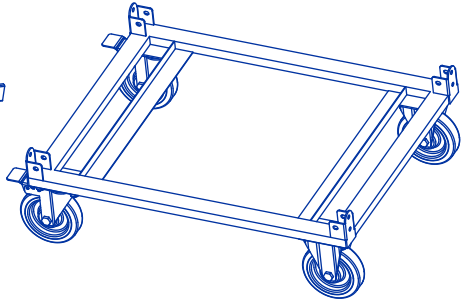
16x M6 15
Mounting bolts



16x M6 15
Mounting nuts



4x Support frames



Do not lock screws entirely
right away. Mount all screws,
then tighten completely.

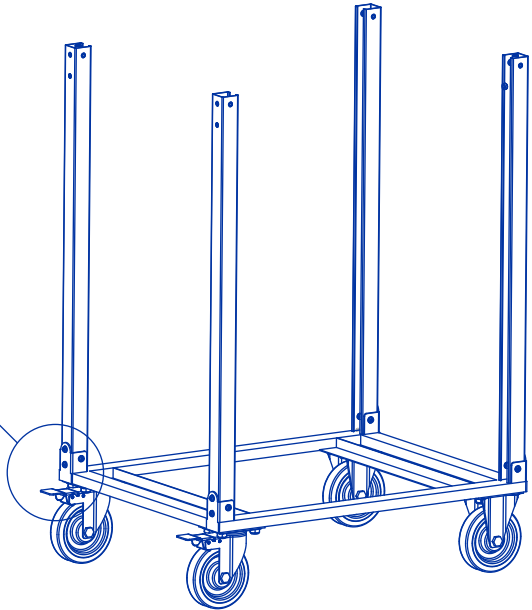
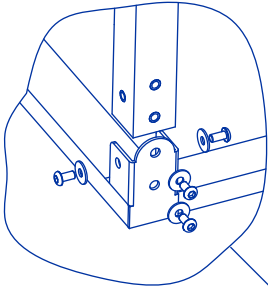
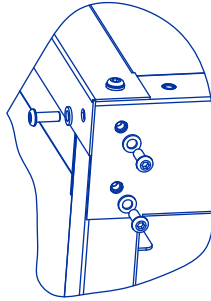


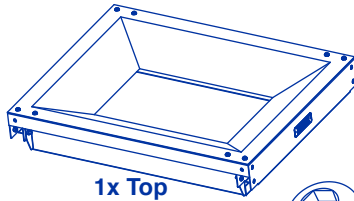
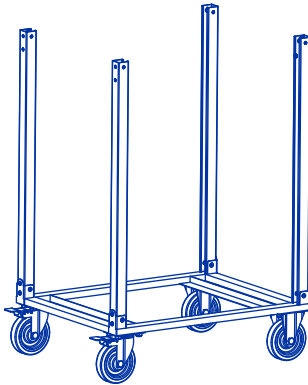
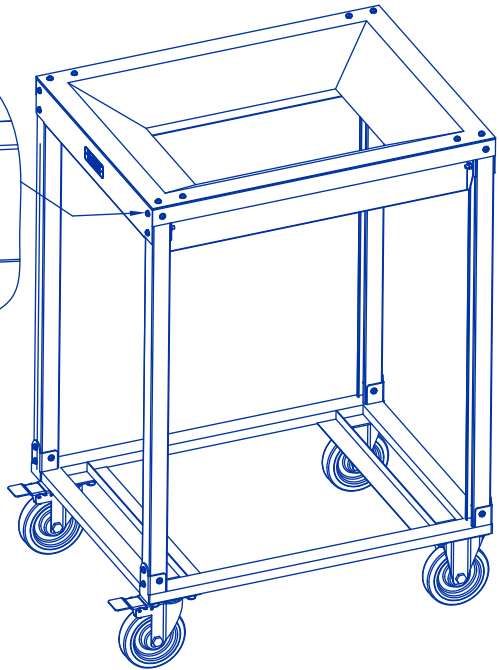
Diagram 2

Frame

Step 2: Mount the support frames to the base



Do not lock screws entirely right away. Mount all screws, then tighten completely.



1x Top



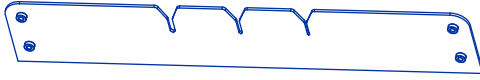
**12x
Mounting nuts**



**12x M6 15
Mounting bolts**

Diagram 3 Frame Top

Step 3: Mount the top to the frame



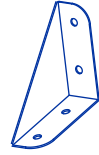
1x Blade



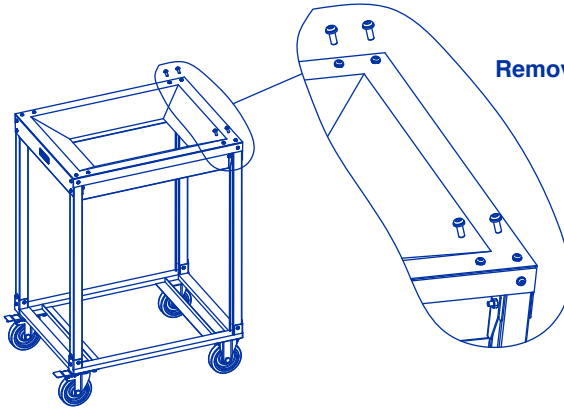
4xM6 Mounting nuts



4x M6 15 Mounting bolts



2x Triangle brackets



Remove the mounting bolts

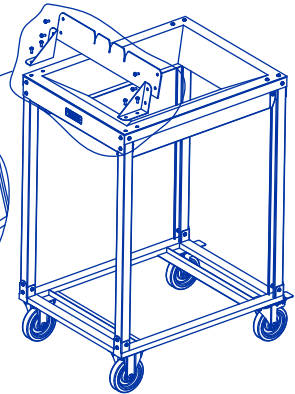
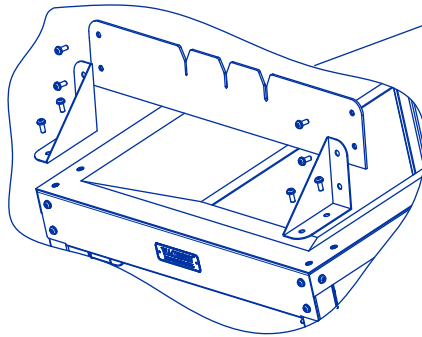
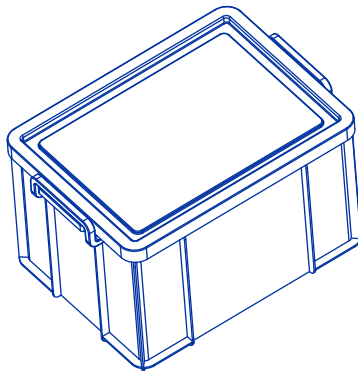
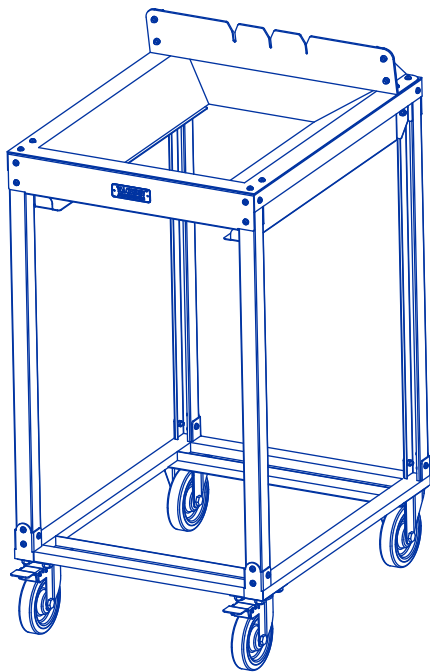
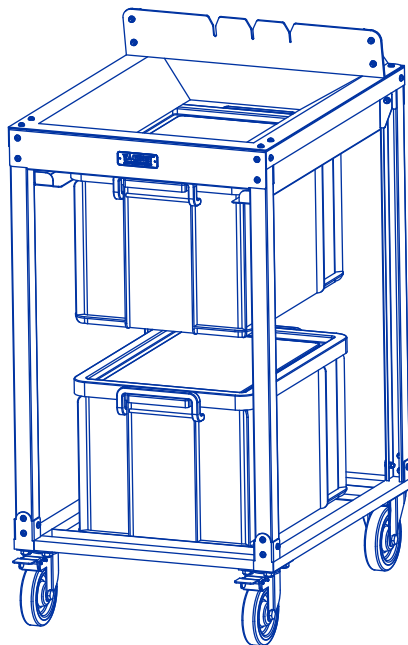


Diagram 4
Blade

Step 4: Mount the blade to the top



2x Baskets with lid



**Diagram 5
Baskets**

Step 5: Basket disposition