

XENON



The GLC Xenon series LED Floodlight is designed to replace conventional Metal Halide lamps. The use of quality high brightness NICHIA LEDs and an optimum reflector design ensures even light output. The high lumens output achieved at a much lower input power rating, results in significant energy savings. The aluminium housing with its unique fin design allows for rapid heat transfer from the LEDs thus keeping it cool at all times. It is available in different power ratings to suit most applications.



- 5 year warranty
- High Power Phillips Luxeon LEDs (LM-80)
- Total lamp efficiency: 130Lm/W, Ra: 80
- Instant start, no flickering, no humming sound
- Eco-friendly and no UV
- Energy saving >70%
- Long life span



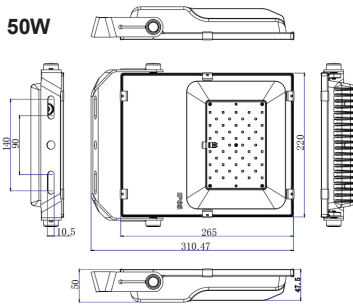
Green Lighting Corp - Sydney - Australia
Suite 9, 138: 140 Elizabeth Drive, Liverpool 2170 NSW
Ph: 1300 412 270 mygreenlightingcorp.com
Australia | Phillipines | Singapore | Korea | USA | Europe



XENON

TECHNICAL SPECIFICATIONS

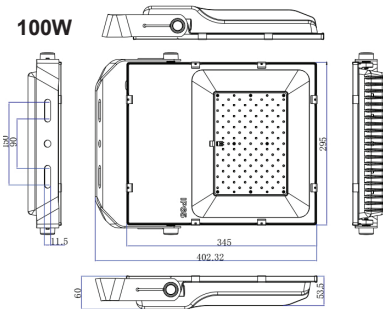
50W



Item	XSX-FLHP50W
Wattage	50W
Flux (lm)	5942lm
Size (mm)	355 x 255 x 50.8mm
PF	0.9
Efficiency (lm/w)	130lms/W
CRI	>80
CCT (K)	5000K - 5500K

1.0m	698x Eavg	2211x Emax
2.0m	174lx	553lx
3.0m	78lx	246lx
4.0m	44lx	138lx
5.0m	28lx	88lx

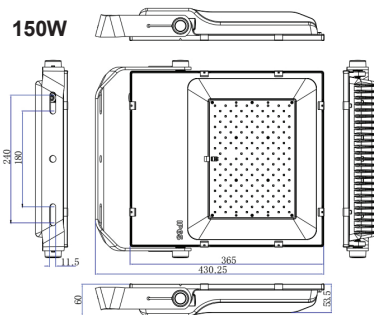
100W



Item	XSX-FLHP100W
Wattage	100W
Flux (lm)	12320lm
Size (mm)	440 x 340 x 130mm
PF	0.9
Efficiency (lm/w)	130lms/W
CRI	>80
CCT (K)	5000K - 5500K

1.0m	1320x Eavg	4594x Emax
2.0m	330lx	1149lx
3.0m	147lx	511lx
4.0m	82lx	287lx
5.0m	53lx	184lx

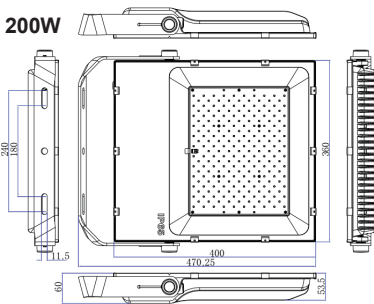
150W



Item	XSX-FLHP150W
Wattage	150W
Flux (lm)	18556lm
Size (mm)	510 x 430 x 140mm
PF	0.9
Efficiency (lm/w)	130lms/W
CRI	>80
CCT (K)	5000K - 5500K

1.0m	1967x Eavg	6819x Emax
2.0m	492lx	1705lx
3.0m	219lx	758lx
4.0m	123lx	426lx
5.0m	79lx	273lx

200W



Item	XSX-FLHP200W
Wattage	200W
Flux (lm)	24609lm
Size (mm)	560 x 460 x 140mm
PF	0.9
Efficiency (lm/w)	130lms/W
CRI	>80
CCT (K)	5000K - 5500K

1.0m	2561x Eavg	8896x Emax
2.0m	640lx	2224lx
3.0m	285lx	989lx
4.0m	160lx	556lx
5.0m	102lx	356lx

Driver: External Driver	Material: Diecast Aluminum Alloy, Anodised
LEDs: Phillips Luxeon	Input Voltage: 90-240V AC
Operating Temperature: -20~+50°C	Life-span: 50,000 hours
	IP Rate: 65