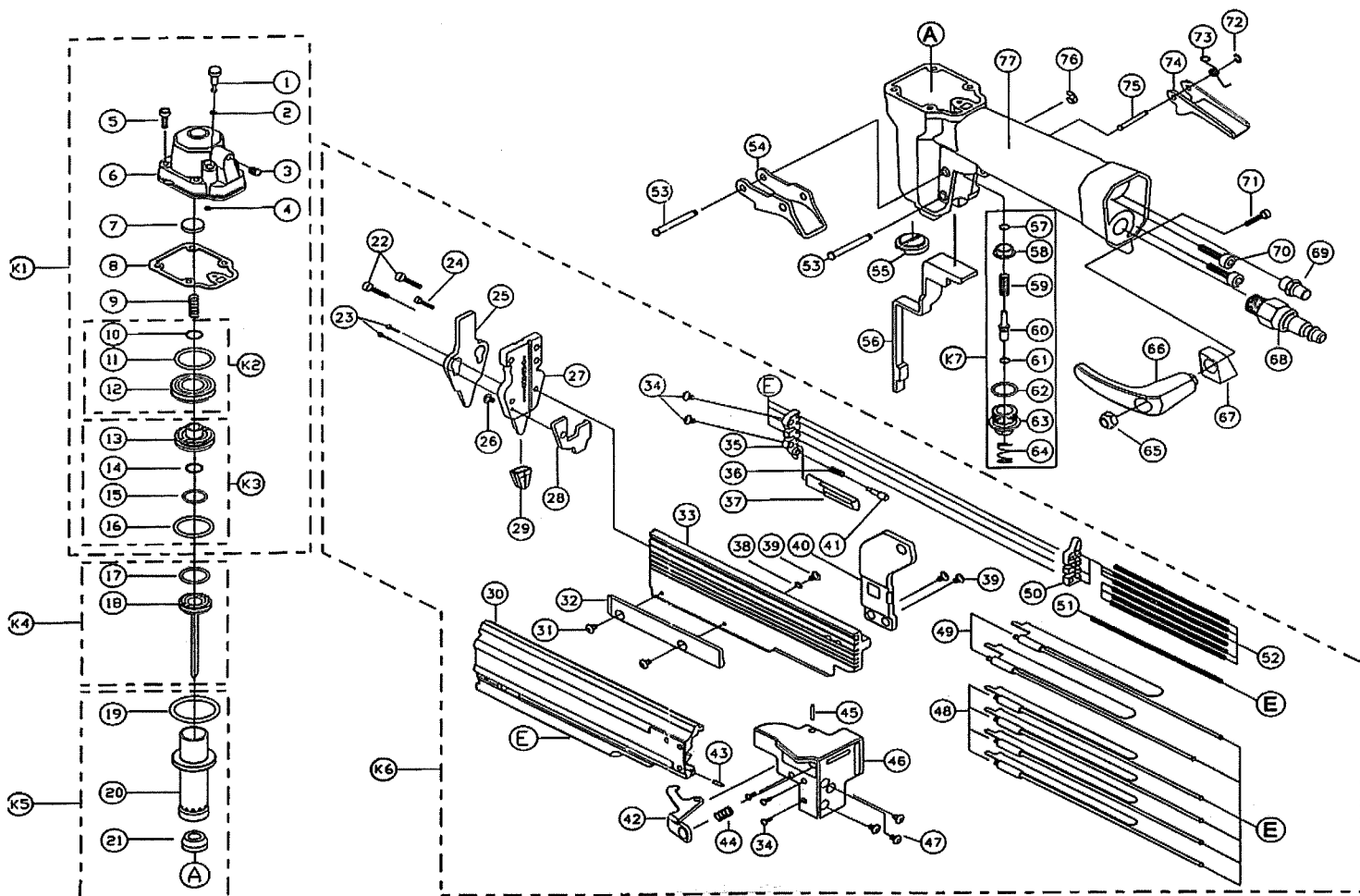


EXPLODED DIAGRAM OF V1/23.35C



No.	Part No.	Description	PCS
1	51010	Air Spray Valve	1
2	90119	O-Ring	1
3	99006	Bolt	1
4	90120	O-Ring	1
5	91022-1	Bolt	4
6	51020	Top Cap	1
7	51030	Valve Bumper	1
8	51040	Gasket	1
9	51050	Cap Valve Spring	1
10	90121	O-Ring	1
11	90122	O-Ring	1
12	51060	Collar	1
13	51070	Cap Valve	1
14	90093	O-Ring	1
15	90094	O-Ring	1
16	90092	O-Ring	1
17	90049	O-Ring	1
18	22020	Piston Unit	1
19	90126	O-Ring	1
20	51081	Cylinder	1
21	22040	Bumper	1
22	91007-1	Bolt	2
23	91009	Bolt	2
24	91008	Bolt	1
25	12070	Guide Plate	1
26	98012	Bolt	1
27	28020	Nose	1
28	22090	Safety Cover	1

No.	Part No.	Description	PCS
29	12090-G	No Mar Tip	1
30	51120	Magazine Cover	1
31	93003	Flat HD. Screw	2
32	22160	Railing Plate	1
33	51130	Magazine	1
34	98002	Bolt	5
35	22220	Spring Guide Seat A	1
36	22280	Lock Out Spring	1
37	22260	Pusher	1
38	92002	Spring Washer	1
39	98010	Bolt	3
40	51140	Latch Bracket	1
41	22290	Lock Out Pin	1
42	12160	Latch	1
43	96016	Pin	1
44	12170	Latch Spring	1
45	96010	Pin	1
46	12201	Magazine Cap	1
47	98011	Bolt R.Head	3
48	22311-1	Pusher C	4
49	22301-1	Pusher L	2
50	22240	Spring Guide Seat B	1
51	22270	Pusher Spring	1
52	28080	Pusher Spring	6
53	51150	Trigger Pin	2
54	51160	Trigger	1
55	22370	Driver Guide	1
56	51214	Safety	1

No.	Part No.	Description	PCS
57	90120	O-Ring	1
58	51180	Valve Guide	1
59	51220	Trigger Valve Cover Spring	1
60	51190	Trigger Valve	1
61	90127	O-Ring	1
62	90128	O-Ring	1
63	51200	Trigger Valve Cover	1
64	51230	Trigger Valve Spring	1
65	97001	Nylon Nut	1
66	20180	Hook	1
67	51210	Hook Set	1
68	94006	Plug	1
69	51213	Silencer	1
70	91001	Bolt	2
71	91012	Bolt	1
72	95002	E-Ring	1
73	18390	Double Trigger Latch Spring	1
74	51215	Double trigger	1
75	18370	Pin	1
76	95001	E-Ring	1
77	51171-1	Body	1
K1	51020-1	CAP ASS'Y	1
K2	51060-1	COLLAR ASS'Y	1
K3	51070-1	VALVE ASS'Y	1
K4	22020-1	PISTON RAM ASS'Y	1
K5	51080-1	CYLINDER ASS'Y	1
K6	28020-8	MAGAZINE UNIT	1
K7	51200-1	TRIGGER VALVE ASS'Y	1