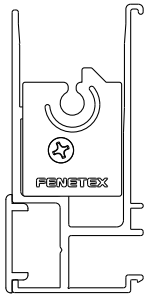
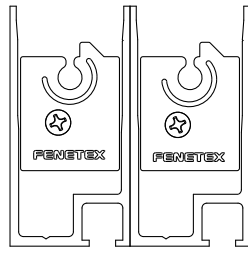


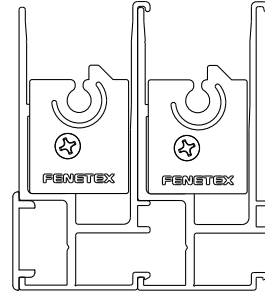
Track Type 1  
Adj. Jamb Track  
WH,BG,MB,BL



Track Type 2  
Adj. Face Track  
WH,BG,MB,BL



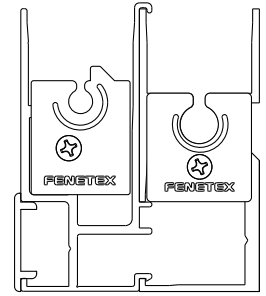
Track Type 3  
DUAL Adj. Jamb Track  
WH,BG,MB,BL



Track Type 4  
DUAL Adj. Face Track  
WH,BG,MB,BL



Track Type 5  
Hurricane Track  
WH,MB



Track Type 6  
DUAL Hurricane  
+ Adj. Face Track  
WH,MB

### 5.5 HOOD WH,BG,MB,BL

Operators: Manual Crank, Somfy 4 wire, Somfy RTS, Dooya ML, NO CMO OPTION

#### Extruded Hood

Max Screen Heights:

Insect/Shade/Clear Weather

Combinations Using Type 1 or 2 Tracks 150"

Type 5 Hurricane Track. 114"

Clear Opening is Overall Height -7.75"

Note 1: You may order an extruded hood to use with built in installations if size allows. Typically this is only used if the soffit area is very rough or space is very tight and the goal is to prevent the screen from chaffing in the soffit.

### 6.5 SINGLE HOOD/BRACKET WH,BG,MB

Operators: Somfy 4 wire, Somfy RTS, Dooya ML, w/special order Somfy CMO

#### Roll Form Hood

Max Screen Heights:

Insect/Shade/Clear Weather

Combinations Using Type 1 or 2 Tracks 180"

Type 5 Hurricane Track 150"

Clear Opening is Overall Height -8.75"

Note 1: Bracket with painted end plate is used for applications with hoods only.

Note 2: For cavity mount installations only the bracket is used.

Note 3: If a screen is to be taller than above listed heights a custom cover or soffit housing will need to be supplied or fabricated by others as is typical for a built-in installation. Bracket may also need to be built out to accommodate increased roll diameter.

### 6.5 DUAL HOOD/BRACKET WH,BG,MB

Operators: Somfy 4 wire, Somfy RTS, Dooya ML, w/special order Somfy CMO

#### Roll Form Hood

Max Screen Heights:

Insect/Shade/Clear Weather

Combinations using Type 1 or 2 Tracks 180"

Type 5 Hurricane Track + Type 1 or 2 Track 150"

Clear Opening is Overall Height -14.25"

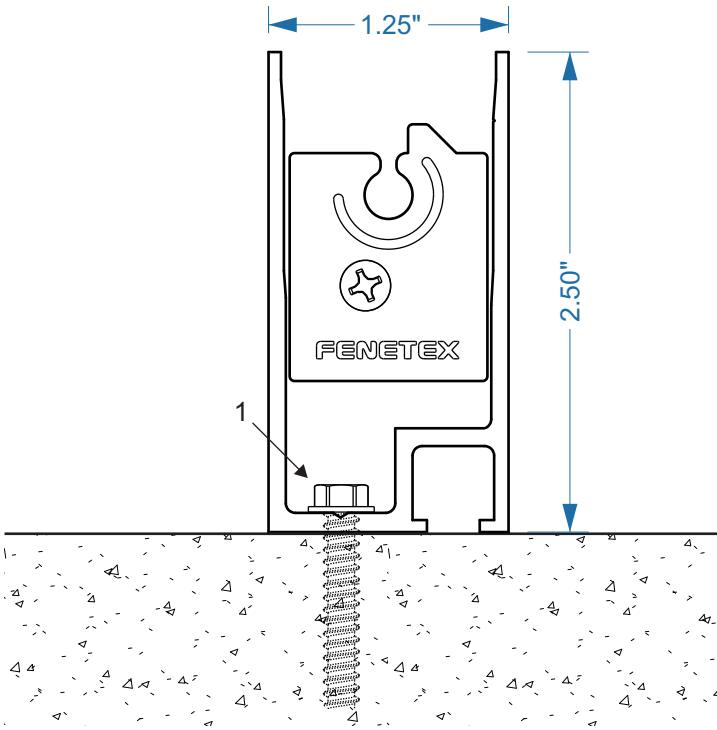
Note 1: Bracket with painted end plate is used for applications with hoods only.

Note 2: For cavity mount installations only the bracket is used.

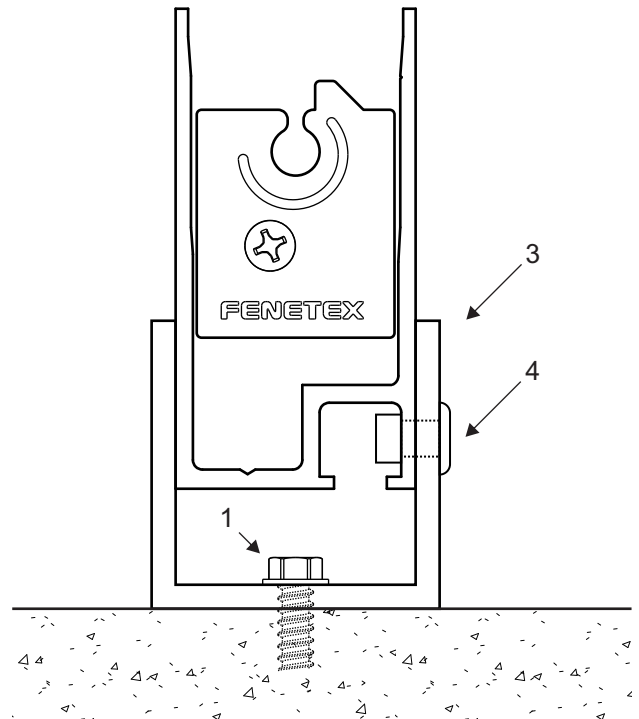
Note 3: If a screen is to be taller than above listed heights a custom cover or soffit housing will need to be supplied or fabricated by others as is typical for a built-in installation. Bracket may also need to be built out to accommodate increased roll diameter.

#### Colors Available:

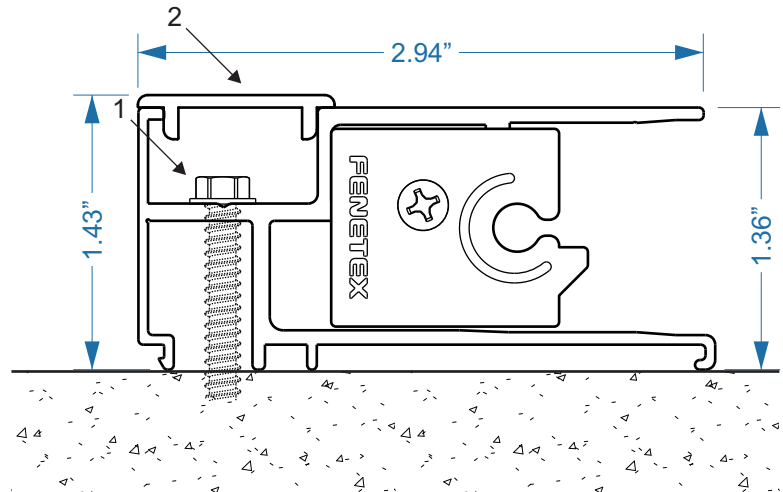
WH	White
BG	Beige
MB	Bronze
BL	Black



Track Type 1: Adj. Jamb Track  
Shown as Inside/Jamb Mount  
Top View



Track Type 1: Adj. Jamb Track  
Shown w/C channel as Inside/Jamb Mount  
Top View



Track Type 2: Adj. Face Track  
Shown as Outside/Face Mount  
Top View

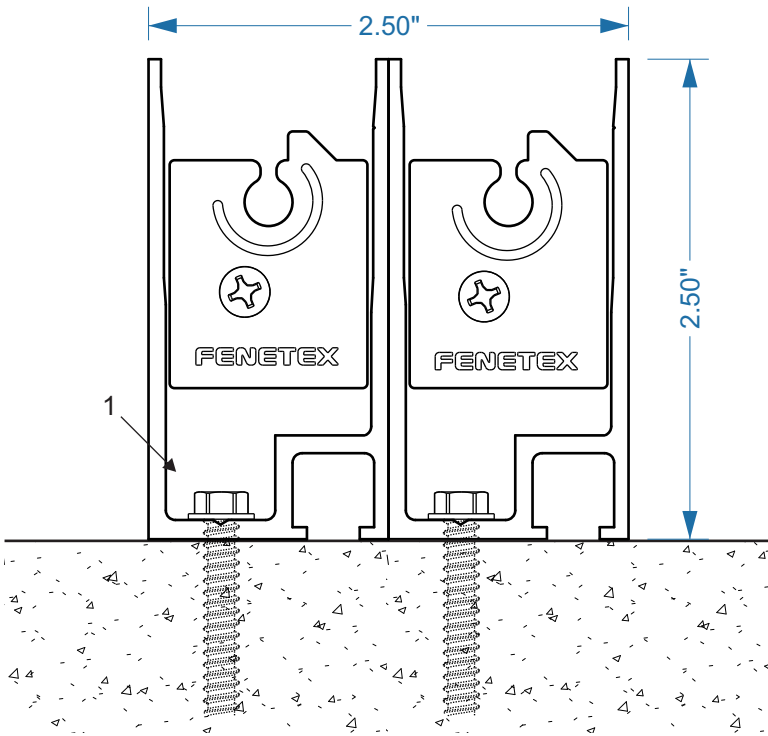
Notes:

1) 1/4" Tapcon or #10 s/s Hex Head Length for 2" Embedment to Substrate.  
24" Spacing Standard. Installer may increase anchors if location is subject to high winds.

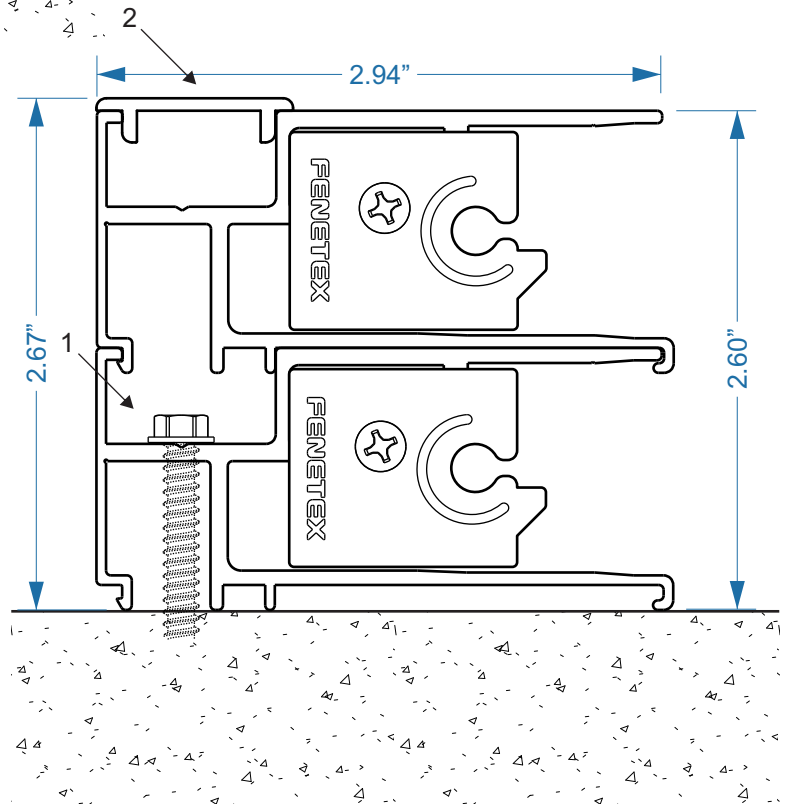
2) Fastener Cover

3) C-channel is 1.5"x1.5"x.125" use if needed to resolve out of plumb surfaces on jamb mount installations.

4) 3/16" Rivet



Track Type 3: DUAL Adj. Jamb Track  
Shown as Inside/Jamb Mount  
Top View

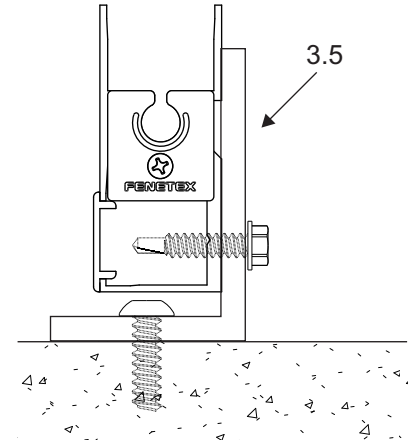
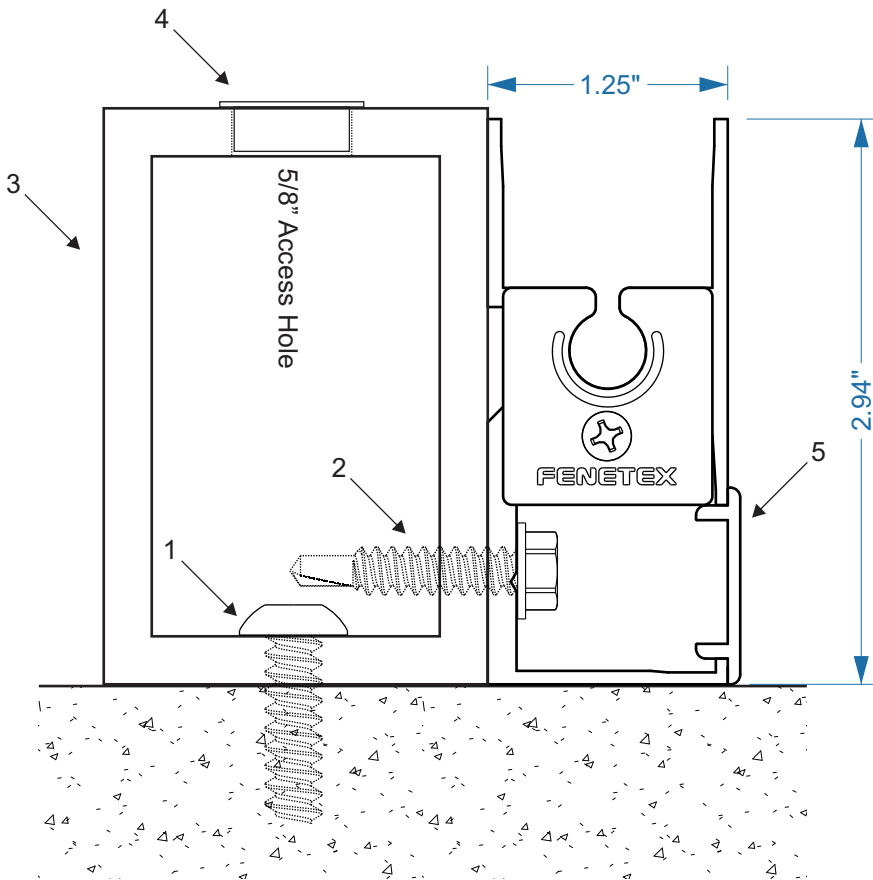


Track Type 4: DUAL Adj. Face Track  
Shown as Outside/Face Mount  
Top View

**Notes:**

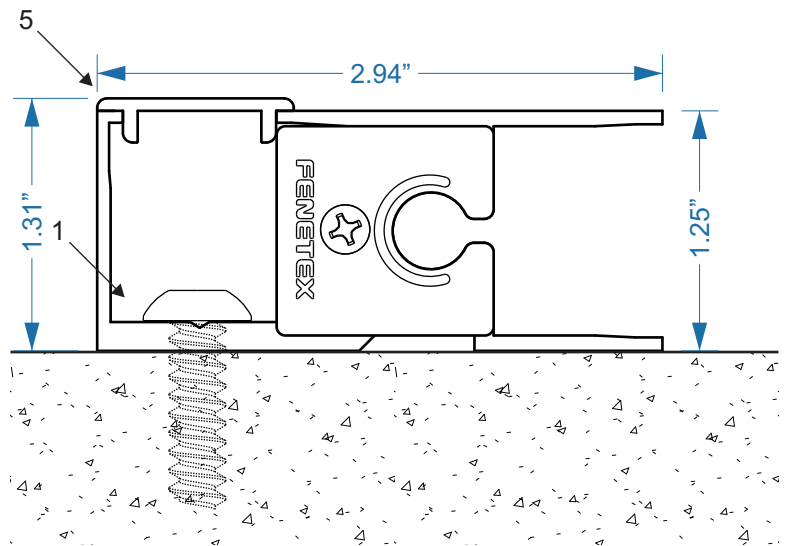
1) 1/4" Tapcon or #10 s/s Hex Head  
Length for 1.5" Embedment to  
Substrate.  
24" Spacing Standard Installer may  
increase anchors if location is  
subject to high winds.

2) Fastener Cover



#s 3/3.5 Build-outs can be angle or tube, see notes below.

Track Type 5: Hurricane Track  
Shown as Inside/Jamb Mount w/Build-out  
Top View



Track Type 5: Hurricane Track  
Shown as Outside/Face Mount  
Top View

Notes:

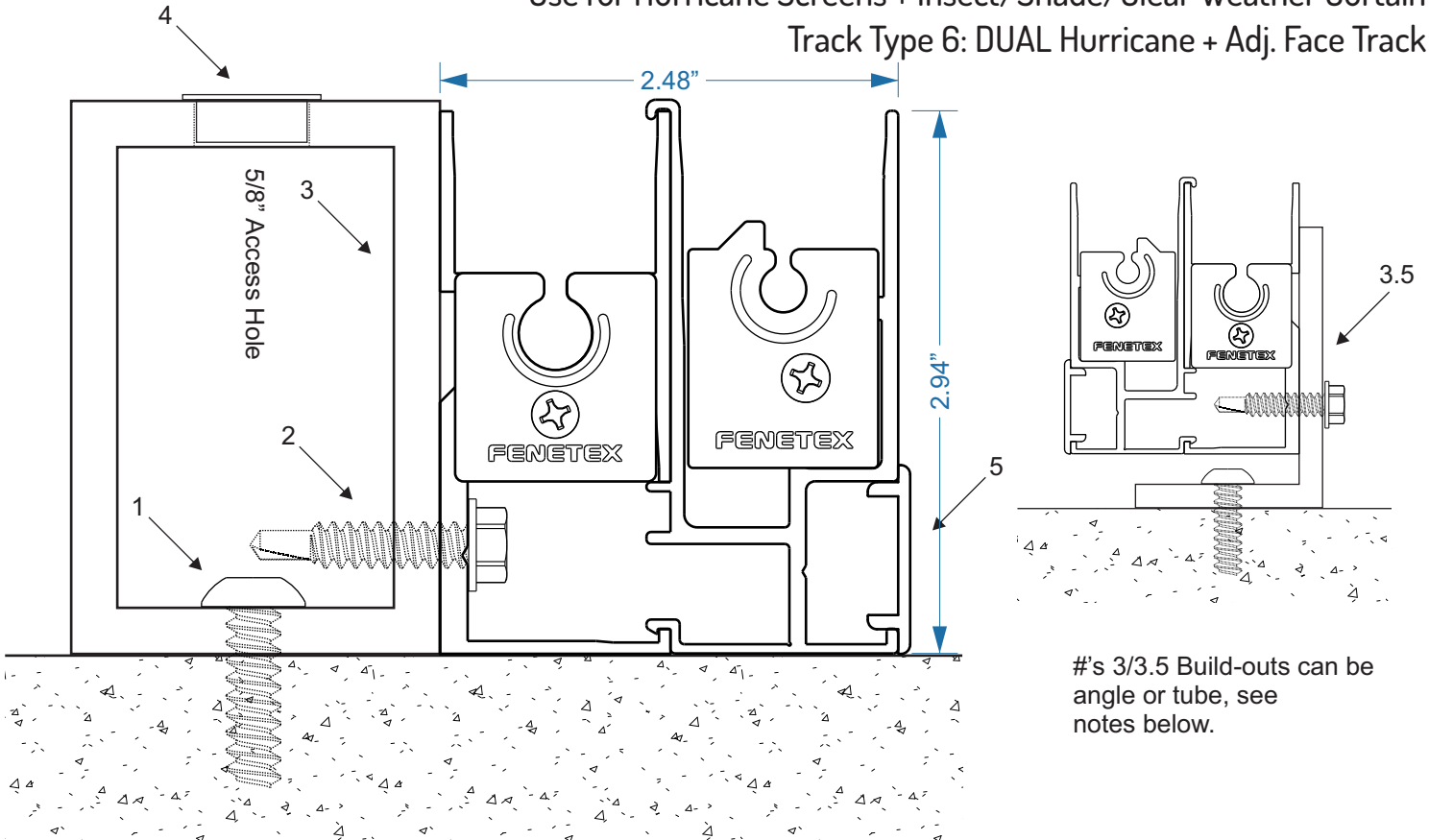
- 1) 5/16" Tapcon XL
- 2) 1/4x1" s/s Self Drilling
- 3) 2"x3"x.25" AL Tube
- 3.5) 2"x2" or 2"x3"x.25" AL Angle  
*Alternate build-out options are available. See Florida Product Approval or Miami-Dade NOA for full details.*
- See: FL 8637
- See: NOA 13-1007.08
- 4) 5/8" Plastic Hole Cap
- 5) Fastener Cover



**DUAL Hurricane Track + Adj. Face Track**

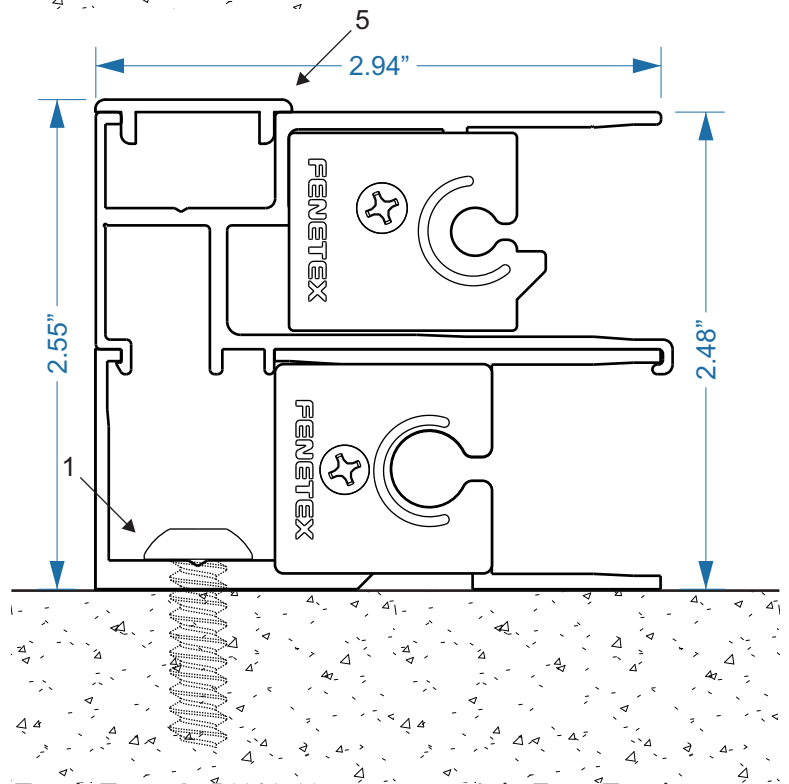
Use for Hurricane Screens + Insect/Shade/Clear Weather Curtain

Track Type 6: DUAL Hurricane + Adj. Face Track



#s 3/3.5 Build-outs can be angle or tube, see notes below.

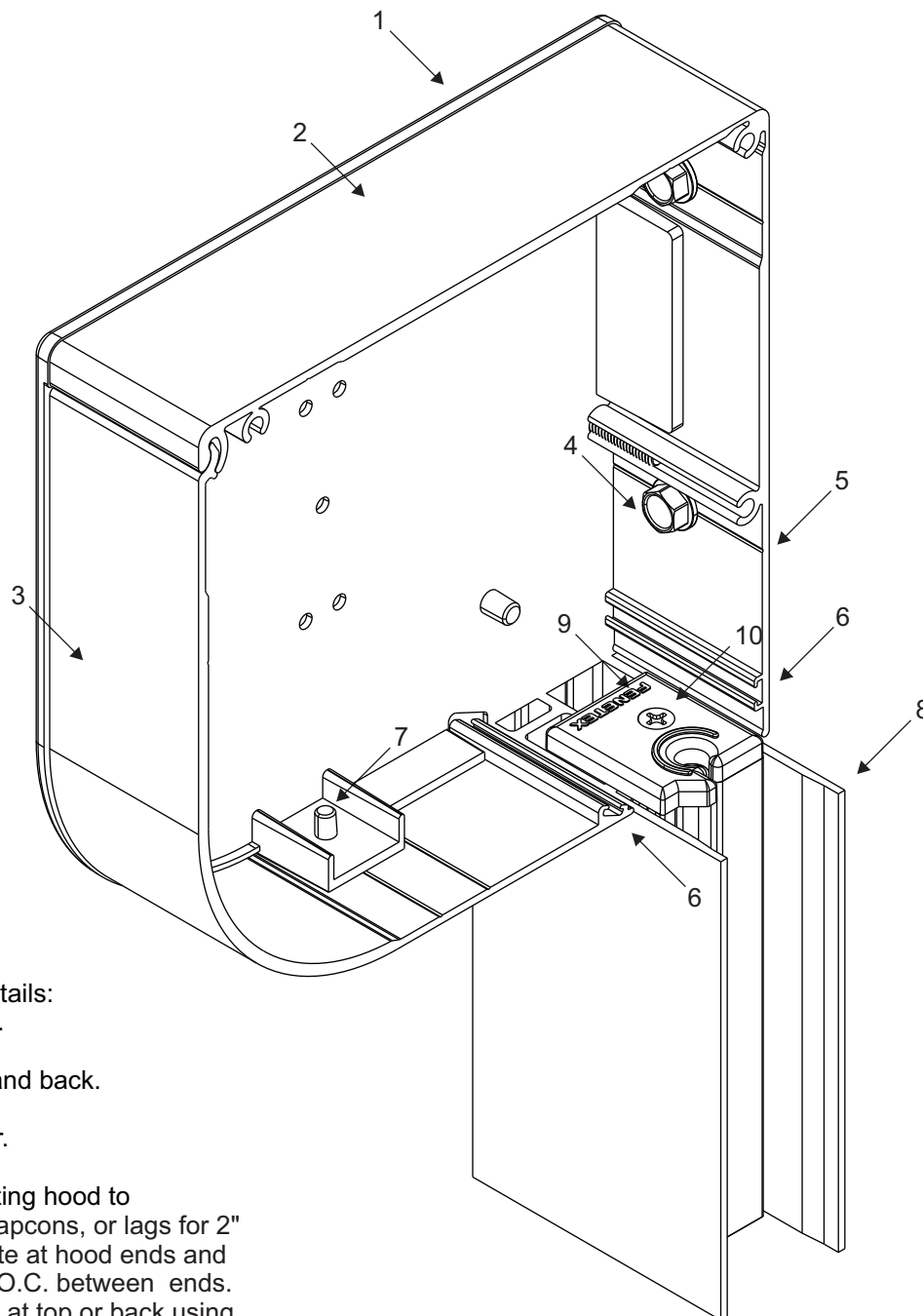
Track Type 6: DUAL Hurricane + Adj. Face Track  
Shown as Inside/Jamb Mount w/ Build-out  
Top View



Track Type 6: DUAL Hurricane + Adj. Face Track  
Shown as Outside/Face Mount  
Top View

Notes:

- 1) 5/16" Tapcon XL
- 2) 1/4x1" s/s Self Drilling
- 3) 2"x3"x.25" AL Tube
- 3.5) 2"x2" or 2"x3"x.25" AL Angle  
Alternate build-out options are available. See Florida Product Approval or Miami-Dade NOA for full details.
- See: FL 8637
- See: NOA 13-1007.08
- 4) 5/8" Plastic Hole Cap
- 5) Fastener Cover



**Hood and End Cap Details:**

- 1) Aluminum end plate.
- 2) Extruded hood top and back.
- 3) Extruded front cover.
- 4) Fasteners for mounting hood to building. Min (2) 1/4" Tapcons, or lags for 2" embedment to substrate at hood ends and single fastener on 24" O.C. between ends. Hood may be fastened at top or back using the indicator lines as a guide.
- 5) Indicator line for mounting fasteners.
- 6) Brush channel.
- 7) Flange for 3/16" hood locking rivet.

**Screen Track Details:**

- 8) Type 1 track (shown).
- 9) Screen pre-feeder.
- 10) #6x.5 s/s phil flat screw.

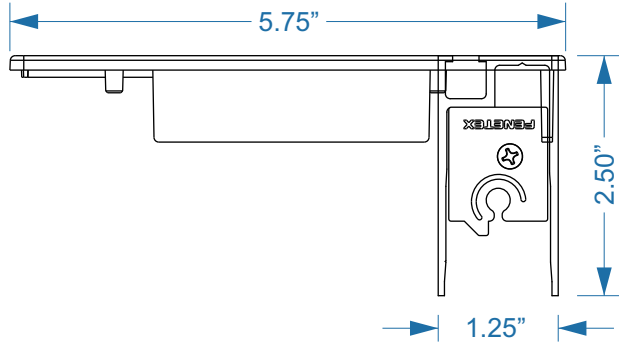
**Design and Installation Note:**

Fenetex extruded hoods are designed to mount independently from the tracks. Tracks are cut to length from floor to underside of hood. Refer to the CLEAR OPENING dimension on Bracket Detail Page for considerations where screen elements are meant to be hidden, or out of the view plane when using a hood.

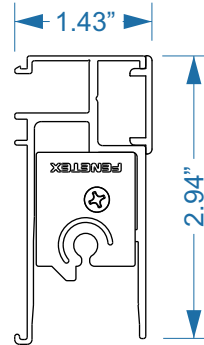


5.5 Hood End Plate/Track Detail 6-DG7.1  
**About Extruded Hoods**  
Use for Single Screens with Extruded Hoods

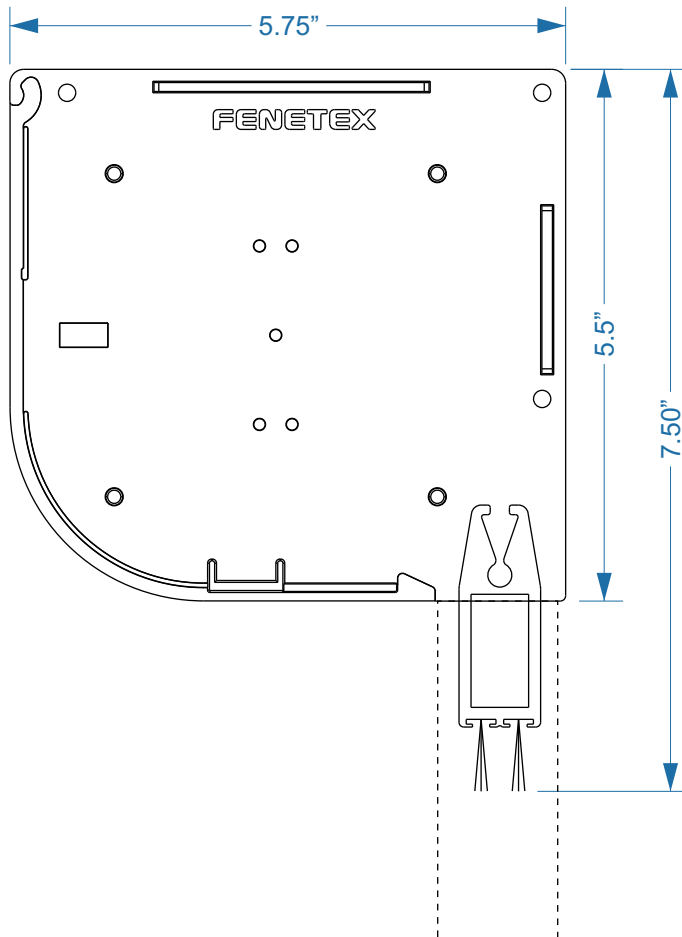
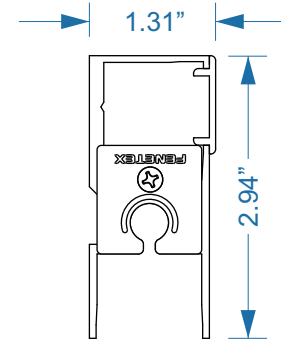
w/Type 1 Track



w/Type 2 Track

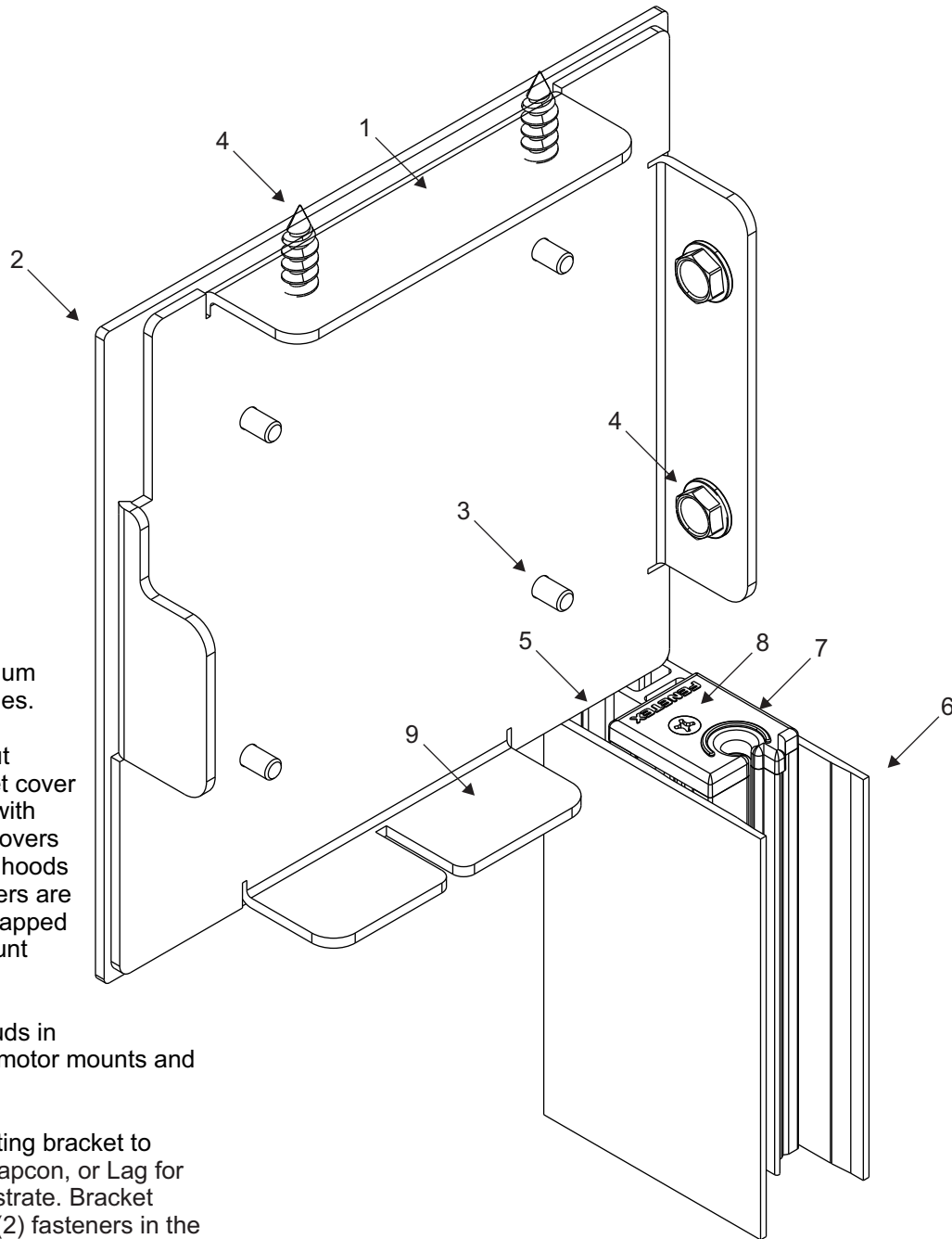


w/ Type 5 Track



Max Screen Heights:  
Insect/Shade/Clear Weather  
Combinations Using Type 1 or 2 Tracks 150"  
Type 5 Hurricane Track. 114"  
Clear Opening is Overall Height -7.75"

Note 1: You may order an extruded hood to use with built in installations if size allows. Typically this is only used if the soffit area is very rough or space is very tight and the goal is to prevent the screen from chaffing in the soffit.



**Bracket Details:**

1) Is a laser cut aluminum plate with formed flanges.

2) Is a painted laser cut aluminum plate bracket cover that is attached to (1) with 3/16" rivets. Painted covers are typically used with hoods on outside mount, covers are not typically used on trapped openings or cavity mount installations.

3) #10-24 s/s PEM studs in a standard pattern for motor mounts and idler bearings.

4) Fasteners for mounting bracket to building. Min (4) 1/4" Tapcon, or Lag for 2" Embedment to Substrate. Bracket should be secured by (2) fasteners in the top Flange and (2) fasteners in the back flange.

**Screen Track Details:**

5) Track should be cut and installed flush to the bottom of the bracket.

6) Screen track assembly.

7) Screen pre-feeder.

8) #6x.5" s/s phil flat screw.

9) Cut-away tab for manual crank.

**Design and Installation Note:**

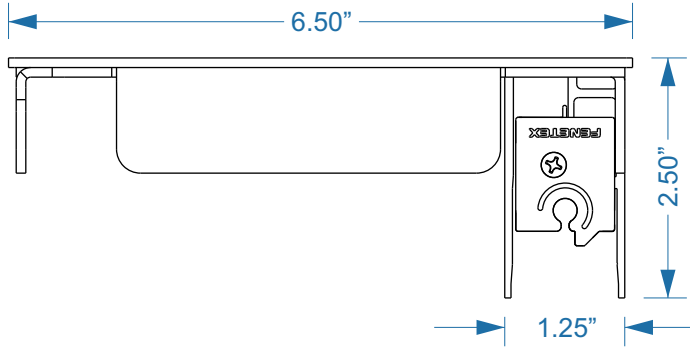
Fenetex hoods are designed to mount independently from the tracks. Tracks are cut to length from floor to underside of hood. Refer to the CLEAR OPENING dimension on Bracket Detail Page for considerations where screen elements are meant to be hidden, or out of the view plane when using a hood.



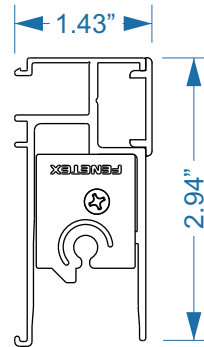
**About 6.5 Square Brackets**

Use for Single Screens With or Without Roll Form Hoods

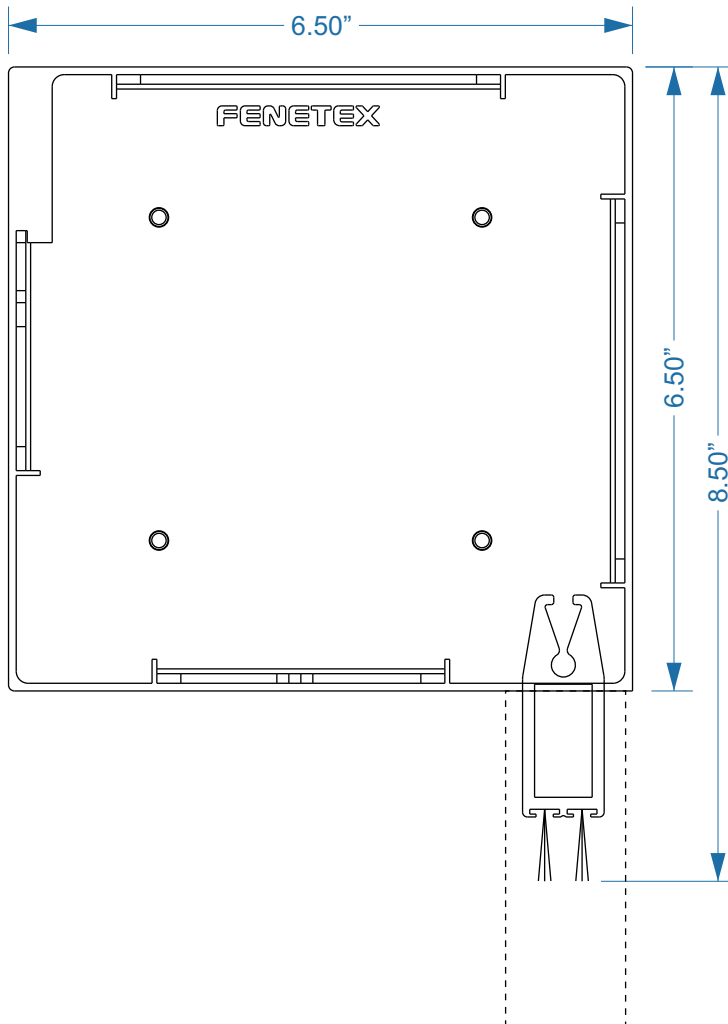
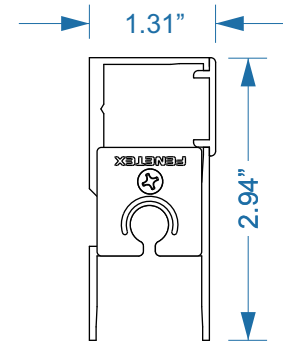
w/Type 1 Track



w/Type 2 Track



w/ Type 5 Track



Max Screen Heights:  
Insect/Shade/Clear Weather  
Combinations Using Type 1 or 2 Tracks 180"

Type 5 Hurricane Track 150"

Clear Opening is Overall Height -8.75"

Note 1: Bracket with painted end plate is used for applications with hoods only.

Note 2: For cavity mount installations only the bracket is used.

Note 3: If a screen is to be taller than above listed heights a custom cover or soffit housing will need to be supplied or fabricated by others as is typical for a built-in installation. Bracket may also need to be built out to accommodate increased roll diameter.

Shown is a Track Type 6: DUAL Hurricane + Adj. Face Track  
 Alternate Configurations are Type 3 and Type 4 (see page 2)

**Design and Installation Note:**  
 Fenetex hoods are designed to mount independently from the tracks. Tracks are cut to length from floor to underside of hood. Refer to the CLEAR OPENING dimension on Bracket Detail Page for considerations where screen elements are meant to be hidden, or out of the view plane when using a hood.

**Bracket Details:**

1) Is a laser cut aluminum plate with formed flanges.

2) Is a painted laser cut aluminum plate bracket cover that is attached to (1) with 3/16" rivets. Painted covers are typically used with hoods on outside mount, covers are not typically used on trapped openings or cavity mount installations.

3) #10-24 s/s PEM studs in a standard pattern for motor mounts and idler bearings.

4) Fasteners for mounting bracket to building. Min (6) 1/4" Tapcon, or Lag for 2" Embedment to Substrate. Bracket should be secured by (2) fasteners in the top Flange and (2) fasteners in each back flange.

**Screen Track Details:**

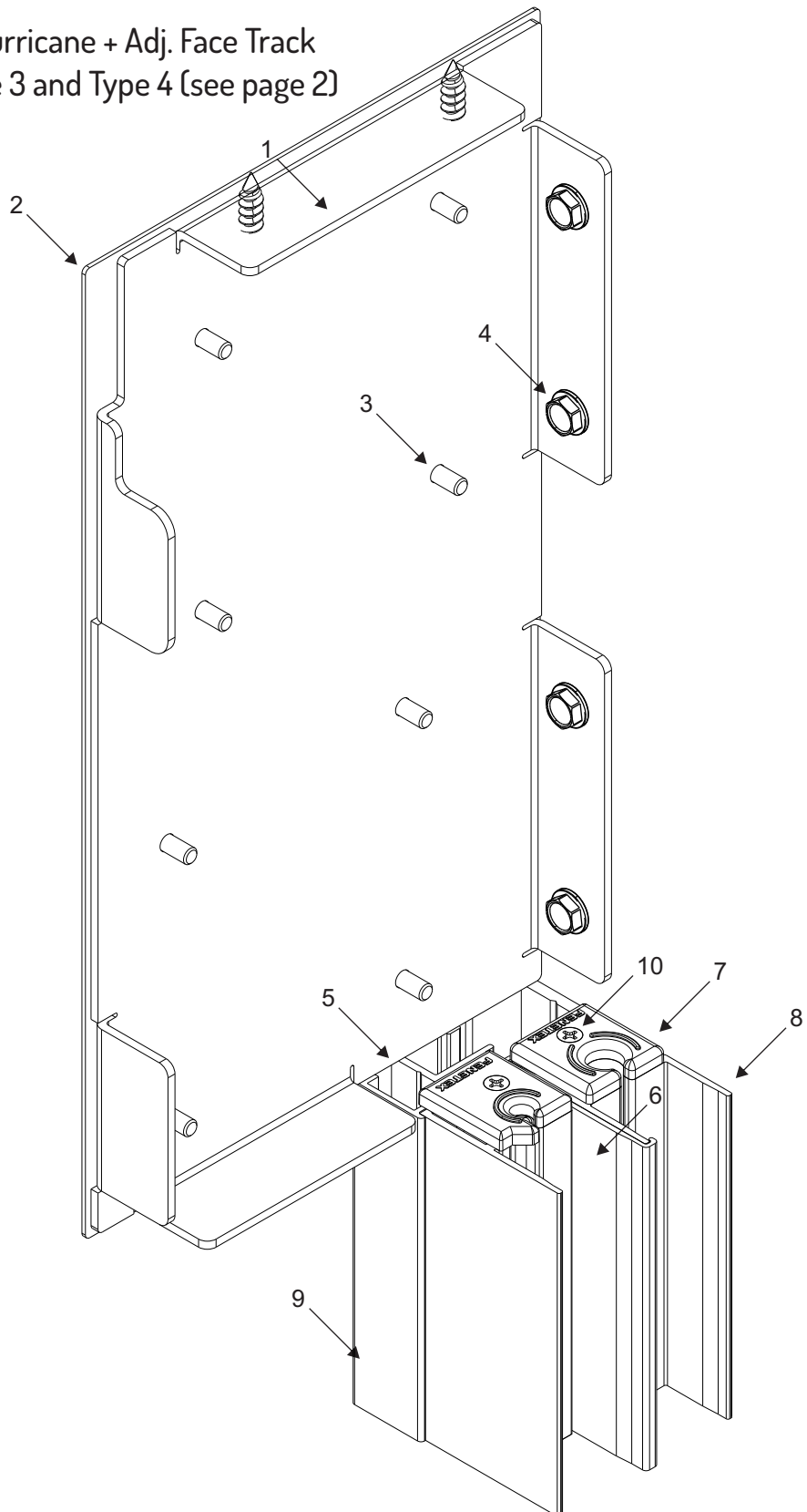
5) Track should be cut and installed to the bottom of the bracket.

6) Type 2 track (shown).

7) Screen pre-feeder.

8) Type 5 track (shown).

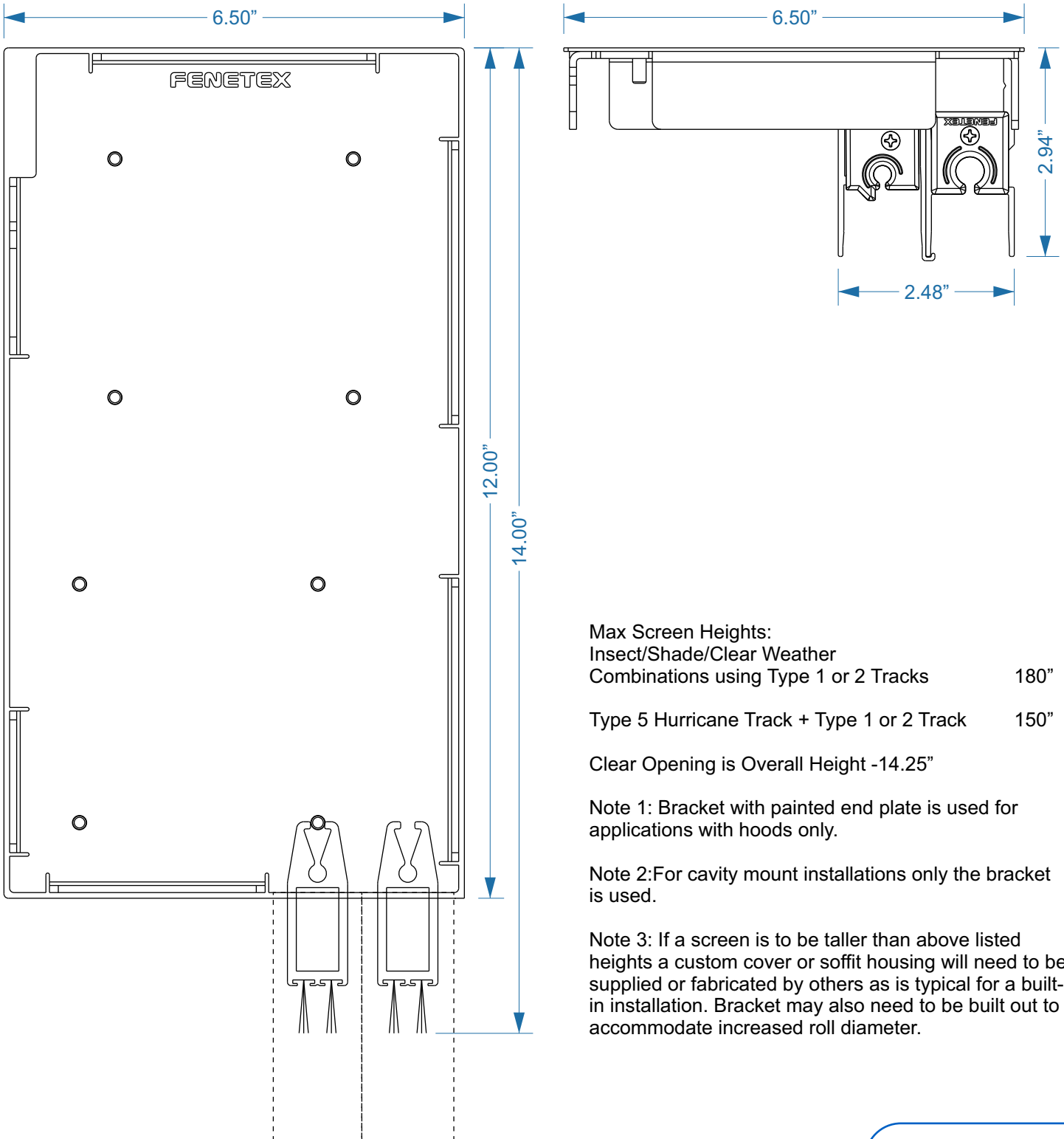
9) Track Cover



**6.5 DUAL Brackets**

Use for DUAL Screens With or Without Roll Form Hoods

Shown is a Track Type 6: DUAL Hurricane + Adj. Face Track  
 Alternate Configurations are Type 3 and Type 4 (see page 2)



Max Screen Heights:  
 Insect/Shade/Clear Weather  
 Combinations using Type 1 or 2 Tracks 180"

Type 5 Hurricane Track + Type 1 or 2 Track 150"

Clear Opening is Overall Height -14.25"

Note 1: Bracket with painted end plate is used for applications with hoods only.

Note 2: For cavity mount installations only the bracket is used.

Note 3: If a screen is to be taller than above listed heights a custom cover or soffit housing will need to be supplied or fabricated by others as is typical for a built-in installation. Bracket may also need to be built out to accommodate increased roll diameter.