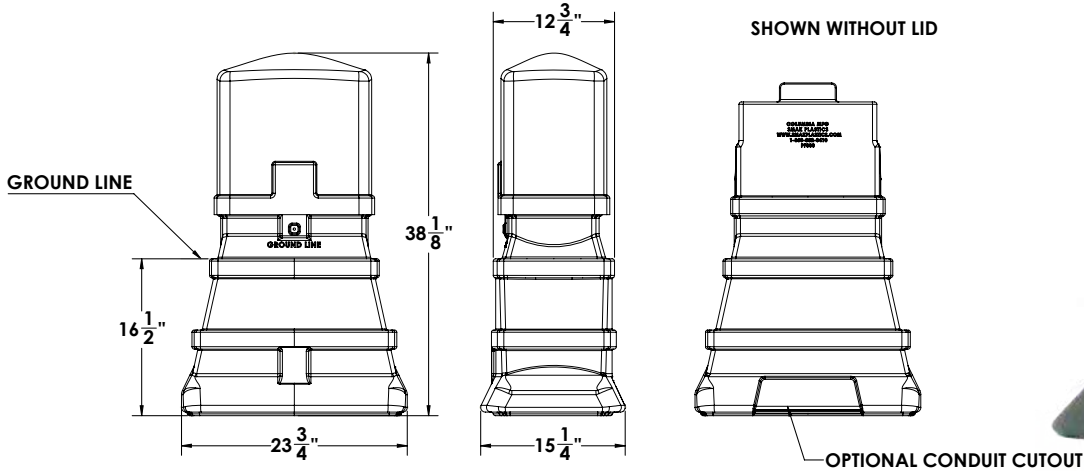


PF300

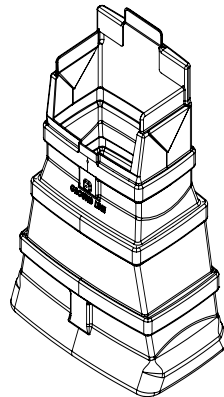
SECONDARY PEDESTAL



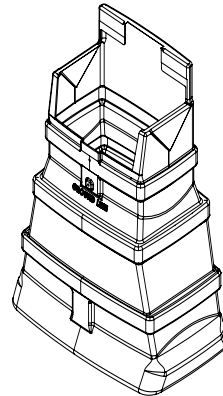
*Shown with 6061-T6 aluminum lay in connectors: 350-kc-mil-12, available with anodized and non-anodized 5/16" hex drive set screws.



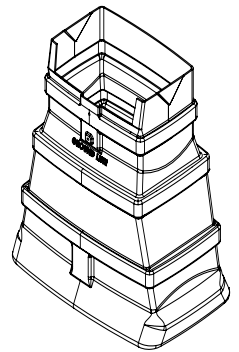
PF 300



PF 320



PF 340



Part No.	Product	Trim Style	Unit Weight	Per Pallet	Pallet Dims	Pallet Weight
PF300C1AG-MG188	PF300 Wide Base	PF300	20 lbs	18	48"x48"x72"	400 lbs
PF320C1AG-MG188	PF320	PF320	20 lbs	18	48"x48"x72"	400 lbs
PF340C1AG-MG188	PF340	PF340	20 lbs	18	48"x48"x72"	400 lbs