



HandyCHECKPOINT™

Multi-Function Sentry Device

HandyCHECKPOINT™ Multi Function Sentry Device

Access Control

Facial Recognition

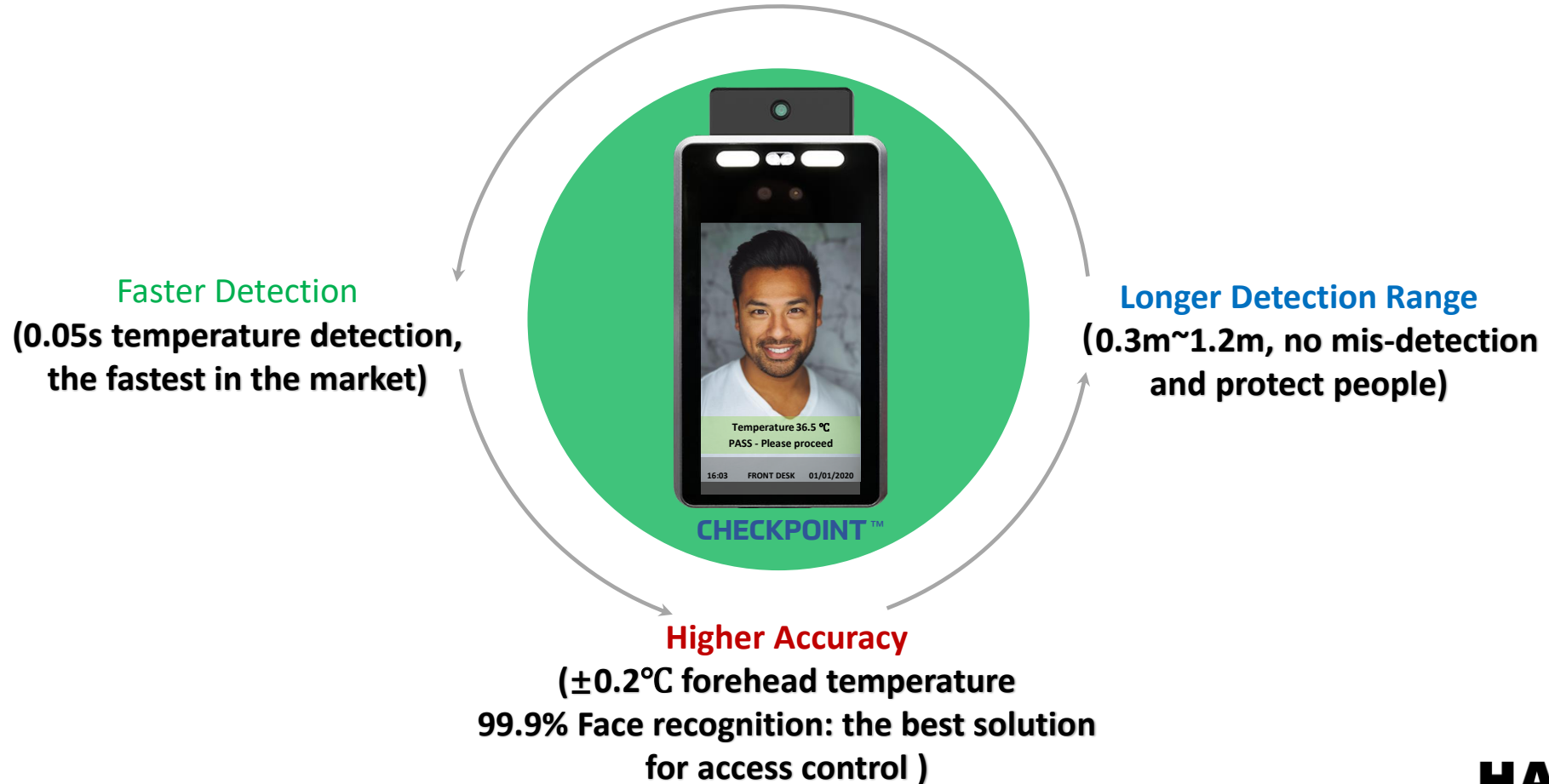
Time Attendance

Temperature Detection



HandyCHECKPOINT™ Multi Function Sentry Device

Our Best Features



HandyCHECKPOINT™ Multi Function Sentry Device

Four Unique Technologies

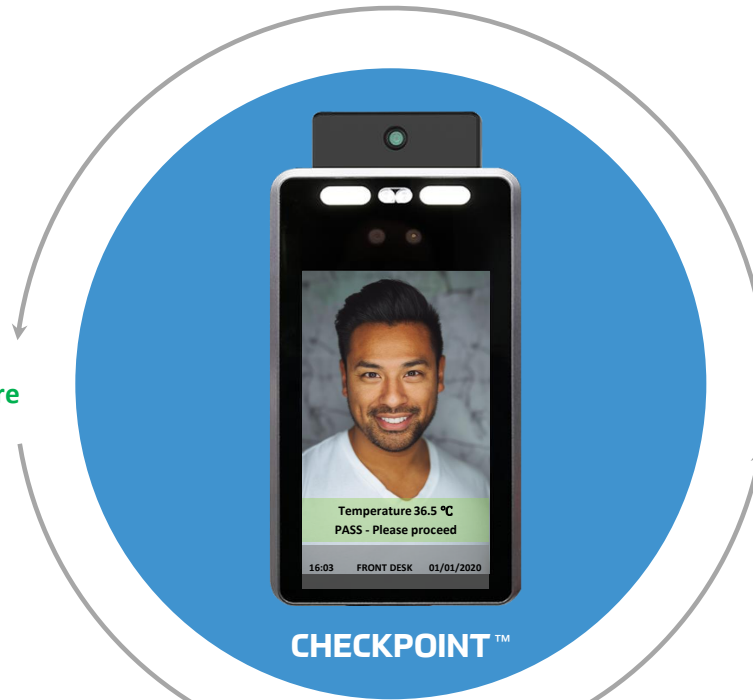
Powerful AI Chipset

With ISP technologies, images are able to avoid shadowing shortening the time taken to detect.

Fast Detection
(0.3s Temperature
+ face ID)

Auto Forehead Identify

With best AI chipset and algorithm in the world to detect foreheads



Best Algorithm

Powered by the best Algorithm, a quicker response time is achieved. Add to this Mask detection and the device will generate alerts for both temperature and failure to wear a mask.

Long Detection Range
(0.3m~1.2m)

Human Detect

With dual-lens cameras capturing, it can detect actual human avoiding mistakes.

High Accuracy
(±0.2°C, 99.9%)

HandyCHECKPOINT™ Multi Function Sentry Device

Flexible Deployment-Single Site

Convenient Web & PC Tool configurations



HandyCHECKPOINT™ Multi Function Sentry Device

Flexible Deployment-Multiple Area in Same Building



HandyCHECKPOINT™ Multi Function Sentry Device

Flexible Deployment-Multiple Buildings



HandyCHECKPOINT™ Multi Function Sentry Device

Applied Industries



School Bus



Public Transportation



Shopping mall entrance



Airport entrance



School entrance



Campus entrance



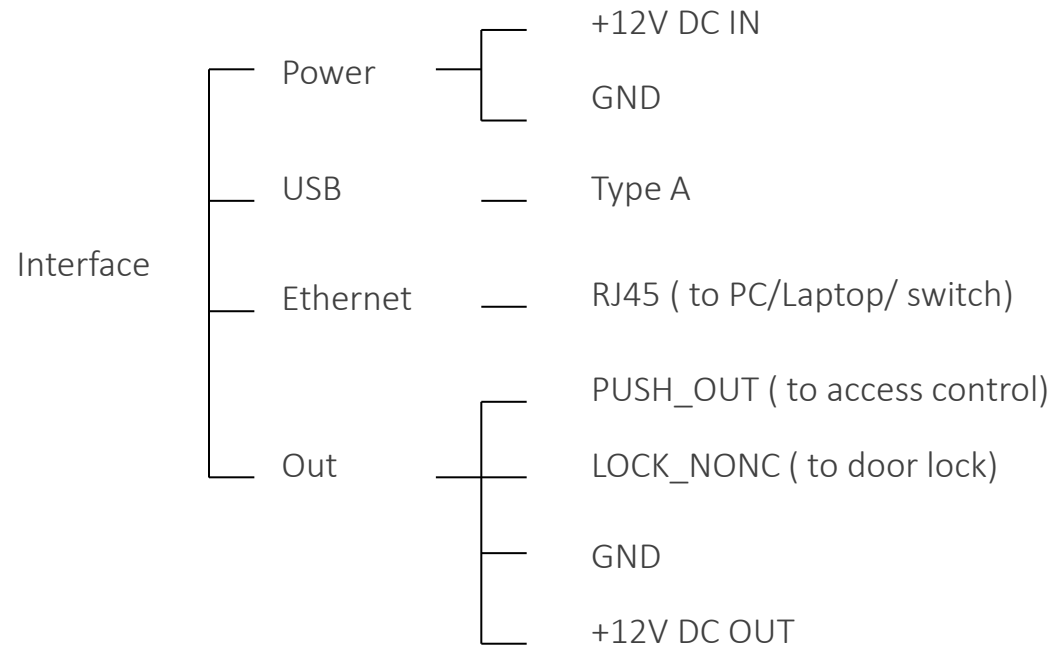
Hospital entrance



Office entrance

HandyCHECKPOINT™ Multi Function Sentry Device

AI Thermal Detector Interface for Connection



HandyCHECKPOINT™ Multi Function Sentry Device

Flexible & Easy Installations



HandyCHECKPOINT™ Multi Function Sentry Device

Control Software

Video preview

Device Manage

Search/Add device
Modify parameter

Staff Manage

Add / import staff list

Data Query

Search and export
attendance record

The screenshot displays the HandyCHECKPOINT Control Software interface. On the left is a sidebar with navigation options: Video Preview, Device Manage, Staff Manage, and Data Query. The main area is divided into several sections:

- Added Devices:** A table with columns 'Ip Address' and 'Position'. One device is listed: 192.168.1.100 at 'House'.
- Staff:** A table with columns 'WorkId' and 'Name'. Two staff members are listed: HW0902 (KEVIN) and HW0910 (KING).
- Attendance Records:** A table with columns: WorkId, Name, Age, Gender, Phone, ID, Time, Temperature, Mask. It shows 7 records for Kevin (WorkId 090) with a temperature of approximately 36.6°C. A red arrow points to the 'Temperature' column header.
- Record Info:** A detailed view for a specific record (Kevin, WorkId 090) including a photo, gender (0), ID (1234), time (2020.05.04, 06:08:13), and temperature (36.61).
- Operation:** A row of buttons: Download Image, Update Record (highlighted with a red arrow), Export Record, and Clear Dev Record.

At the bottom, there are search filters (By Name, By Id), a search button, and a language dropdown set to English.

HandyCHECKPOINT™ Multi Function Sentry Device

Alerting - Cloud Software & Branch Server

The image displays the HandyCHECKPOINT MANAGER web interface and an email alert window. The dashboard shows 2 Devices and 1 Email Alerts. A login form is highlighted with a blue border, and an email alert window is open on the right.

HandyCHECKPOINT MANAGER

Enter your email address and password to access the portal.

Email address

Password

HCP ALERT

HandyCheckpoint
To: Aubrey Wright
22/01/2021

image.jpeg
36 KB

Triggered alert, please check for compliance

NAME: Lyndsay Copeland
WORKER ID: 5678901

ACCESS RIGHT: Not Blacklisted
MASK: Not Wearing Mask
TEMPERATURE: 36.53 °C

DATE AND TIME: 01/22/2021 13:16

DEVICE NAME: HAV-SHOWROOM
DEVICE ID: HME-001
DEVICE IP ADDRESS: 192.168.0.46

HandyCHECKPOINT™ Multi Function Sentry Device

Specification

Operation System	Linux
Display	7 inch TFT Screen
Speaker	Voice Prompt
Language	Customisable Multi-languages: English, French, Spanish, Italian, Russia, Japanese, Korean, etc.
Face Capacity	50,000
Verification & Identification Speed	< 200ms
Facial Anti Spoofing	Printed photo, Electronic display of a facial photo, Replaying video, 3D face masks, etc.
Facial Recognition Accuracy Rate	99.9%
Forehead Thermometer Accuracy	±0.2°C
Work Range	0.3m~1.2m, 30cm~120cm
Transaction Storage	8GB EMMC storage supporting 50,000 facial images
Infrared thermography Camera	Uncooled Infrared Focal Plane Junction Detectors Array Sensor resolution: 120*90, response: 0.05ms
Facial Recognition Camera	Dual 1080p Starlight CMOS sensors for visible light and near infrared light
Communication	TCP/IP, USB-Host, USB-Client, WiFi
Interface for Access Control	3rd Party Electric Lock, Exit Button, Alarm
Power Supply	12V DC, 2A (9-16V DC)
Operating Temperature	-40 °C~ 60 °C
Dimensions	120mm*226.5mm*33.5mm
Warranty	2 years return to base warranty

HandyCHECKPOINT™

Handy AV Limited
Unit F2, LEFA Business Park
Edgington Way
Sidcup
Kent DA14 5BH
United Kingdom

Tel: +44 (0)20 8466 6500
Email: info@handyav.com
Url: www.handyav.com