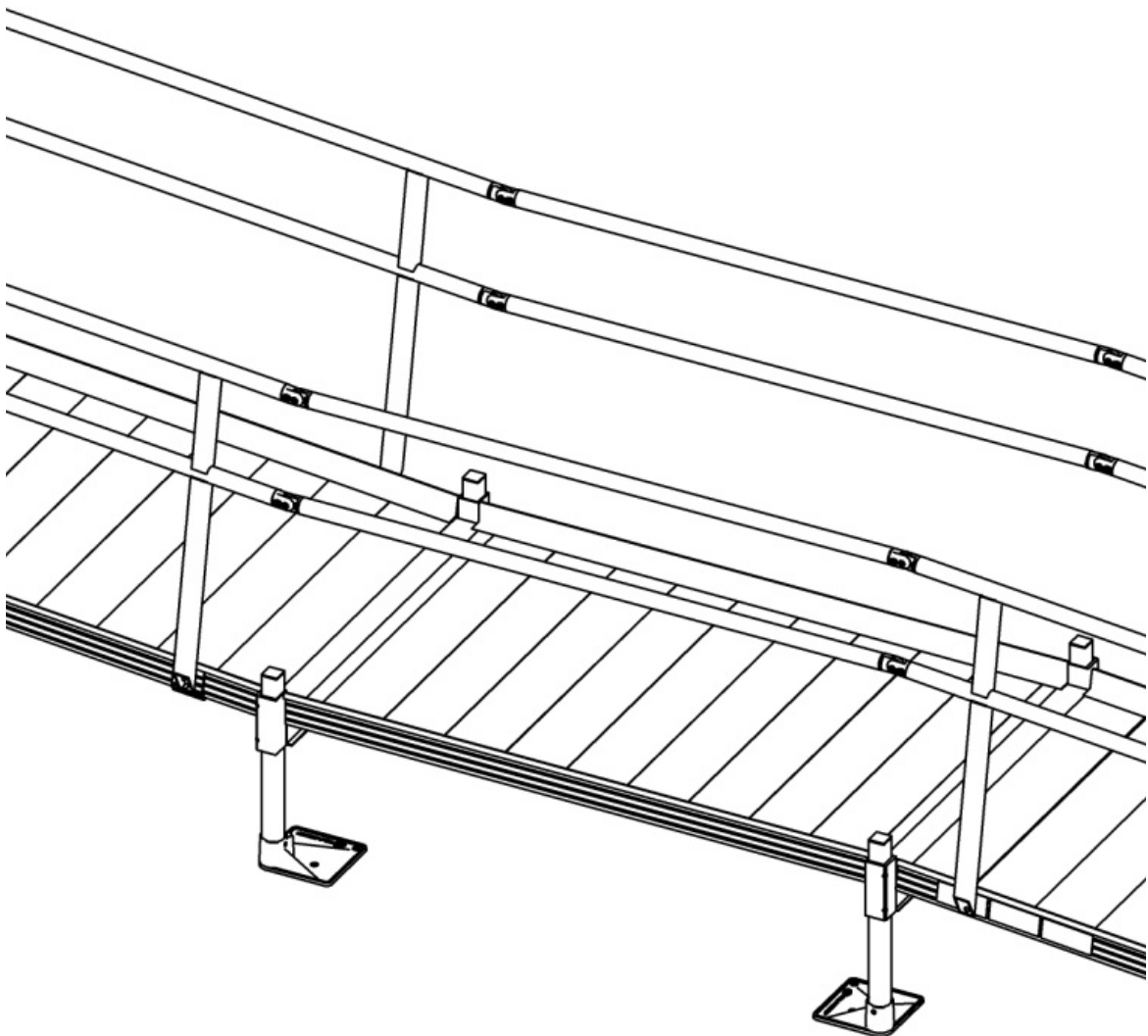


---

# Pathway<sup>®</sup> Modular 3' x 5' Resting Platform

## Assembly Manual *Supplement*



Manufactured in the USA

© EZ-ACCESS<sup>®</sup>, a division of Homecare Products, Inc. All rights reserved. All text and images contained in this document are proprietary and may not be shared, modified, distributed, reproduced, or reused without the express written permission of Homecare Products, Inc.

PN 12966 REV 10-01-13

**⚠ WARNING:** Correct installation and proper use of the platform is crucial to ensuring the safety of those on and around this system. Before installing and using this option, please read and understand this supplement in its entirety, and refer to the *Pathway® Modular Access System Assembly Manual* as directed. To obtain a replacement copy of any of these manuals, please call 1-800-451-1903 or visit [www.ezaccess.com](http://www.ezaccess.com).

**⚠ WARNING:** Do not attempt to walk on ramp system or any system components, until installation is complete.

**1. INSTALL SUPPORT TUBES AND FEET, AND THEN ADJUST PLATFORM HEIGHT:** (Refer to Section 2 of *Pathway® Modular Access System Assembly Manual*).

- 1.1. Support tubes, plugs, and feet come in pairs. Support tubes come in lengths sufficient for the heights at specific locations and should not need to be cut. It is recommended that the plug be installed in the support tube before installing the tube into the platform, but it can be done at any point during the installation.
- 1.2. Tip the platform on its side. Have one person support the platform while the other person slides the support tubes into each of the four platform corner pockets. Insert plugs into the top of the support tubes, then adjust the support tubes to the approximate height needed (FIG.2.4).
- 1.3. Use supplied 3/16" Allen wrench to tighten one of the two set screws in the corner pocket, just enough to hold the support tube in place but do not over tighten (the second set screw will be tightened after final height adjustments are complete).
- 1.4. Place the platform, with support tubes attached, into the upright position.

**✋ NOTE:** Do not let the weight of the platform bear on the support tubes while tipping the platform upright.

- 1.5. Lift each corner of the platform. Install a base foot on each support tube, oriented so that the foot extends under the platform as shown in FIG. 2.4. Make sure the feet are fully engaged on the tubes and tighten the thumbscrew on each foot securely.

**✋ NOTE:** If installing on soft soil it may be necessary to set the base foot on a concrete pad.

- 1.6. Adjust the final height of the platform.
- 1.7. Adjust legs one at a time by loosening the setscrews in the platform corner pockets. Using a level, adjust the platform height and re-tighten setscrews.
- 1.8. Once the final height has been adjusted, securely tighten the second setscrew in each platform corner pocket.
- 1.9. Ensure that all setscrews are secure, and then install plugs in the top of each support tube (if not done previously).

**2. INSTALL UNIVERSAL ANGLE BRACE:** (Refer to Section 2 of *Pathway® Modular Access System Assembly Manual*).

- 2.1. For added stability, any platform with a walking surface over 36" high requires bracing. The MUAB (Universal Angle Brace) is used for surfaces 36" - 72". Walking surfaces 72" and higher requires Universal Cross Braces in addition to Universal Angle Braces.
- 2.2. Angle braces come in pairs. Use four pairs per platform (one pair per support tube, or side) or six pairs when two platforms are connected.
- 2.3. Use two brace bands to secure the ends of the two angle braces nearest the twist to the support tube using a 5/16" bolt, flat washer, and nut (FIG. 2.7).
- 2.4. Opposite ends of the braces are attached to the bottom of the platform side rail at 90° to each other using a 1/4" square drive pan head self-drilling screw (FIG. 2.7).

**3. INSTALL UNIVERSAL CROSS BRACE:** (Refer to Section 2 of *Pathway® Modular Access System Assembly Manual*).


- 3.1. Install Universal Cross Braces on all support tubes when the walking surface is 72" or more above the ground. Cross braces are normally installed on all four sides (FIG. 2.8) unless two platforms are connected.
- 3.2. Ensure all cross braces are properly secured before using platform.

**4. INSTALL RAMP ON PLATFORM:** (Refer to Section 3 of *Pathway® Modular Access System Assembly Manual*).

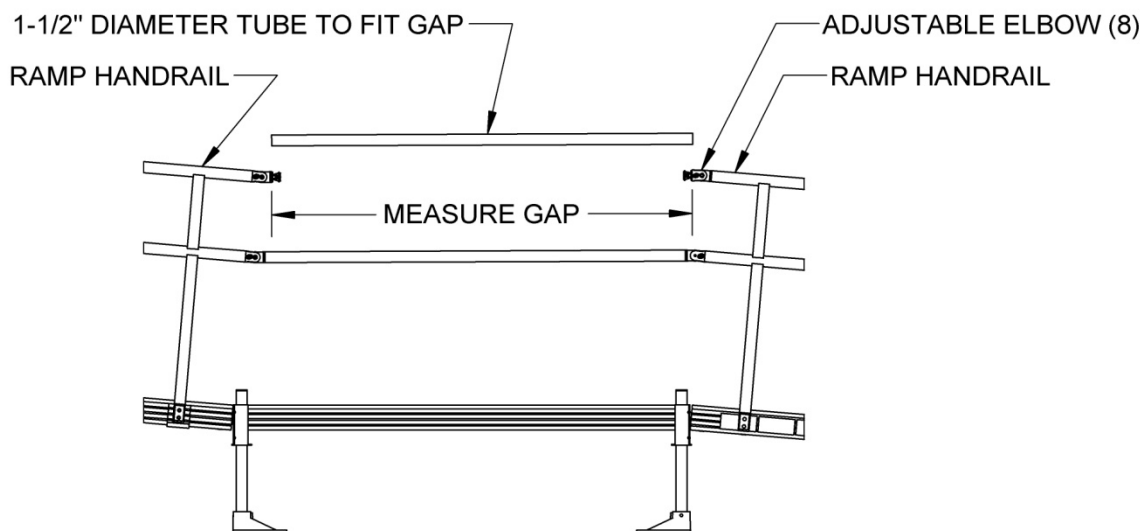
- 4.1. This section addresses attaching a ramp, or ramp run, to a platform. If the ramp needs to be angled with respect to the platform or is going to be attached to an existing porch, skip to 'ANGLING RAMPS WITH RESPECT TO PLATFORMS' (Section 3.7 of *Pathway® Modular Access System Assembly Manual*).
- 4.2. Locate MRHP (RAMP HANGER PAIR). Install two hangers onto the side of the platform where the ramp will be attached.
- 4.3. Hold the hanger perpendicular (approximately) to the platform side rail, then bring the hanger upward until it is against the side rail lip. Rotate the hanger and continue pushing upward in such a manner that the "hook" at the top of the hanger goes behind and catches on the lip in the top of the platform side rail and the hanger sits on the ledge at the bottom (FIG. 3.3).
- 4.4. Set the ramp on the hangers. The hangers should be positioned as close as possible to the ramp side rails. Unless a transition plate is used, the procedure is the same at both the top and bottom of ramp runs that end at a platform. (FIG. 3.4).

**5. INSTALLING PLATFORM HANDRAIL:** (Refer to Section 6 of *Pathway® Modular Access System Assembly Manual*).

- 5.1. Slide an adjustable elbow into each handrail tube.
- 5.2. Position both until they are aligned (do not tighten), and measure the distance between the two larger round faces, as shown below.

 The gap in the upper and lower handrail will be different. Be sure to measure both before cutting the round tube.

- 5.3. Cut the 1-1/2" diameter round tube to the length measured as shown below.



- 5.4. Using a metal file, smooth any sharp edges resulting from the cutting process.
- 5.5. Disassemble adjustable elbow by removing the screw and nut (FIG. 6.3).
- 5.6. Install an elbow half into each end of the cut tube (FIG. 6.3).
- 5.7. Tighten internal setscrews with a T-handle Allen wrench or similar tool (FIG. 6.3).
- 5.8. Reassemble elbow by replacing center insert and securing with the screw and nut, and then tighten all fasteners securely (FIG. 6.4).
- 5.9. Test to ensure elbows are properly secured and attached. If needed, tighten internal setscrews to secure more rigidly.