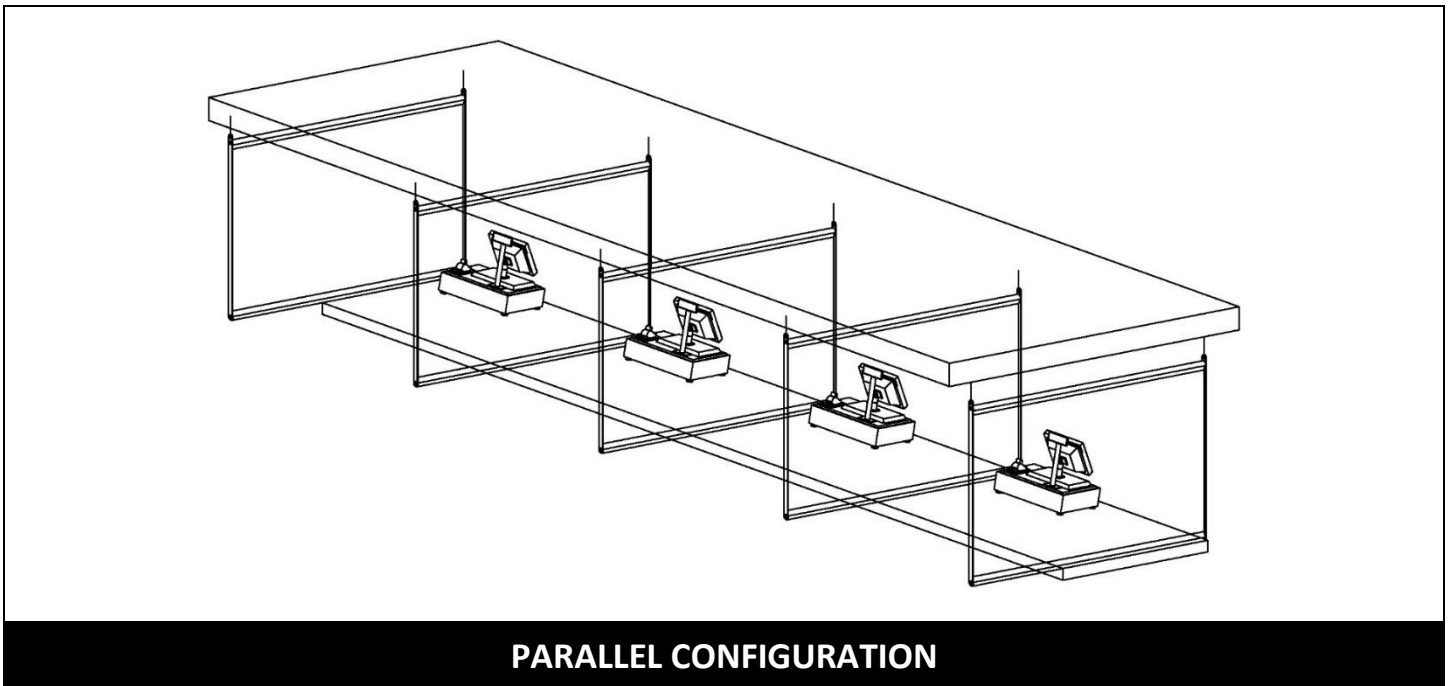
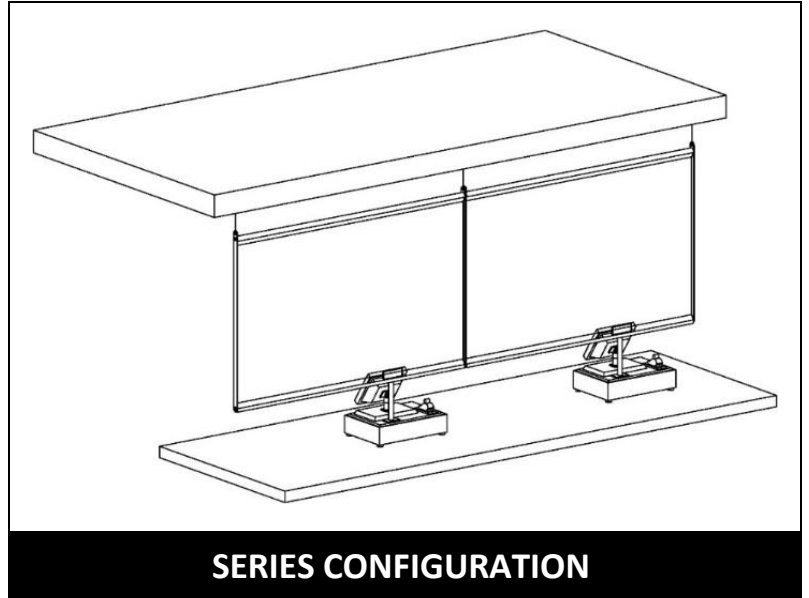
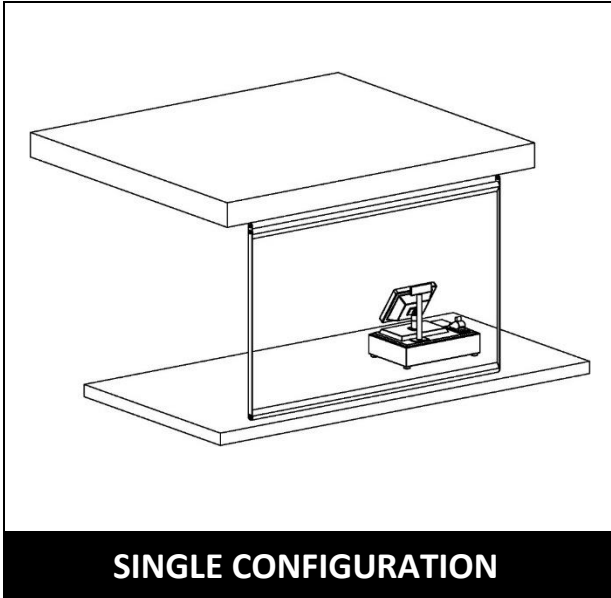


Instructions

Hanging Partition



Mounting/hanging hardware is not included.



SYMBOLS AND WARNINGS

- ⚠ The **WARNING** symbol indicates a potentially hazardous condition/situation. The warnings throughout this document, and on your equipment, if any, are for the protection of people and property. Failure to abide by warnings will result in a waiver of all liabilities, loss of your warranty, and could result in equipment damage and or failure, property damage, risk of serious bodily injury, and or death to operators, riders, and those nearby. The symbol may appear in various colors and in conjunction with other symbols.
- 🖐 The **NOTE** symbol indicates important information. Failure to obey all notes could result in improper operation, less-than-optimum equipment performance, and at the sole discretion of the equipment manufacturer, may void your warranty. The symbol may appear in various colors and in conjunction with other symbols.

WARNINGS!

- ⚠ Prior to assembly and use, read and follow all instructions, warnings, and labels. Following all instructions and obeying all warnings before and during use is necessary for safe operation. For additional information, or to obtain replacement copies of instructions, call 1-800-258-8503.
- ⚠ Do not cover or damage the warning label. Maintaining all labels in legible condition is required and is essential for safe operation. If labels are missing, damaged, or become illegible, they must be replaced. A missing or illegible label will fail to alert individuals of a procedure or hazardous operating conditions. For additional information, or to obtain replacement copies of labels, call 1-800-258-8503.
- ⚠ Do not use the hanging partition or its components for anything other than its intended purpose of encouraging physical distancing.
- ⚠ Do not use the hanging partition if it is damaged or unstable.
- ⚠ Ensure that the mounting location is substantial, of sound construction, is capable of securely holding a minimum of 200 pounds plus hanging hardware, and does not allow injury to persons or property. Consult with a professional contractor if you need assistance or additional information.
- ⚠ Ensure hanging partition is securely attached and that it stays attached during use. A misused or unattached hanging partition can fall and cause serious injury or death.
- ⚠ Because applications vary, hanging hardware is not included. An incorrectly attached hanging partition can fall and cause property damage and injury or death. Professional installation is required.
- ⚠ Before each use, check the hanging partition for worn, loose, missing, unstable, or damaged parts. If you find any of these conditions, do not use the hanging partition.
- ⚠ If vinyl panel is torn or otherwise breached, it must be replaced.
- ⚠ Do not use to support, attach, or hang planters, lights, decorations, clothing, fabrics, or other furnishings.
- ⚠ Do not play on, lean on, hang on, or bump body parts against the hanging partition.
- ⚠ Hanging cords, chains, cables, etc. can cause injury or death. Install hanging partition hardware in such a manner that it does not cause injury to persons or property. Consult with a professional contractor if you need assistance or additional information.
- ⚠ Ensure hanging partition does not impede safety, security, or environmental systems.
- ⚠ Consult with a professional contractor or your Authority Having Jurisdiction (AHJ) if you have any questions.

TOOLS TYPICALLY REQUIRED

- 1/2" SOCKET
- 1/2" WRENCH
- MARKING DEVICE
- TAPE MEASURE
- TOOLS REQUIRED FOR USE WITH YOUR CHOSEN HANGING METHOD
- RUBBER Mallet (IF TRIMMING)
- METAL FILE (IF TRIMMING)
- LEVEL

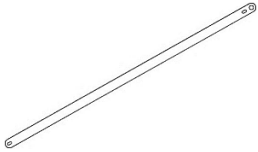
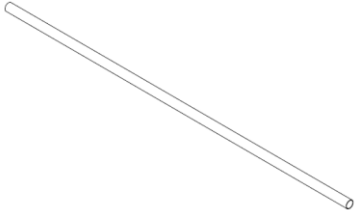




1. GETTING STARTED

- 1.1. Read this instruction manual in its entirety before use and follow all instructions before and during use.
- 1.2. Confirm that all components are present and inspect the shipment for damaged or missing parts. If damaged or missing parts are noted, do not install or use the hanging partition.
- 1.3. Before each use, check the hanging partition for worn, loose, missing, unstable, or damaged parts. If you find any of these conditions, do not use until repairs have been made. Consult with a professional contractor if you need assistance or additional information.

2. COMPONENTS

Typical system components are shown below (not to scale). Components may vary depending on configuration.

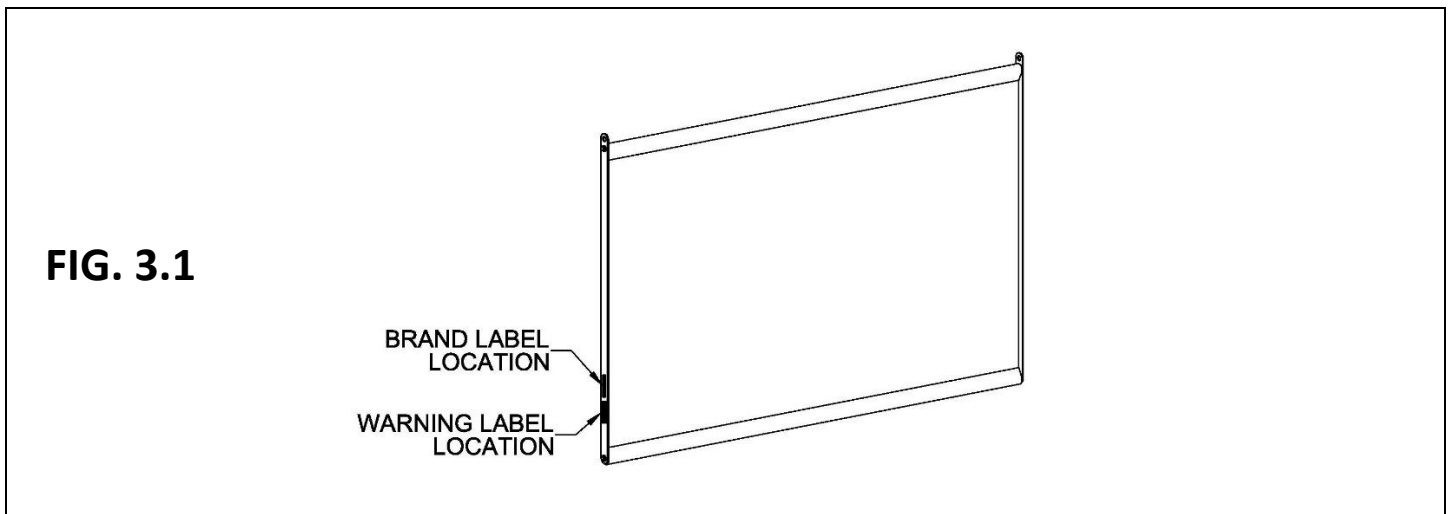
👉 Mounting/hanging hardware is not included.

<p>TUBE SUPPORT FLAT BAR</p> 	<p>PANEL TUBE (W/ THREADED INSERTS)</p> 	<p>VINYL PANEL (SHOWN W/ PANEL TUBES)</p> 
<p>THREADED INSERT</p> 	<p>HEX BOLT (5/16" – 18 x 1")</p> 	<p>FLAT WASHER (5/16" x 7/8")</p> 

3. LABELS

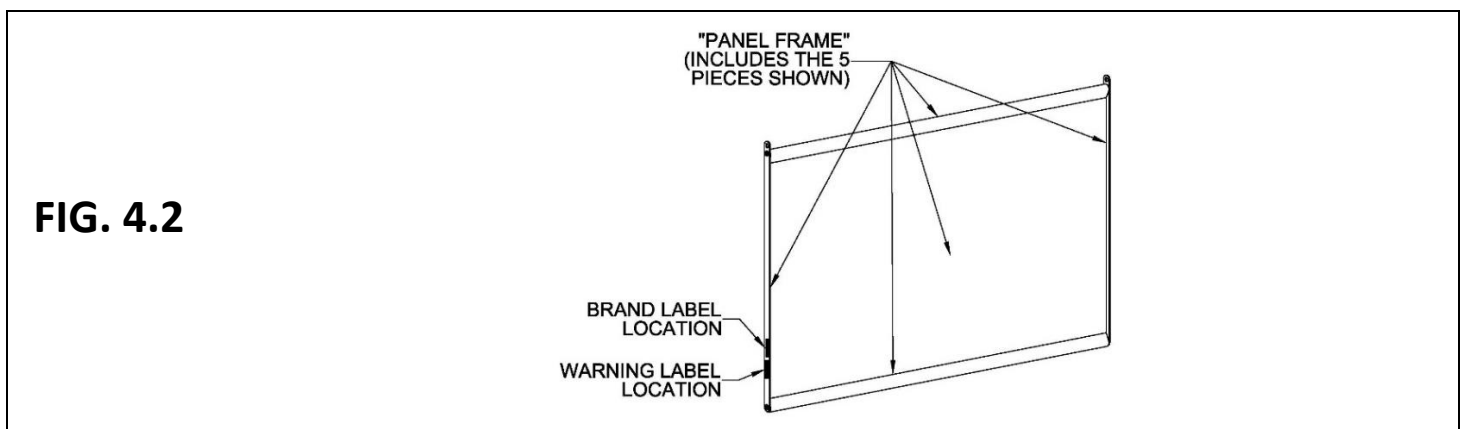
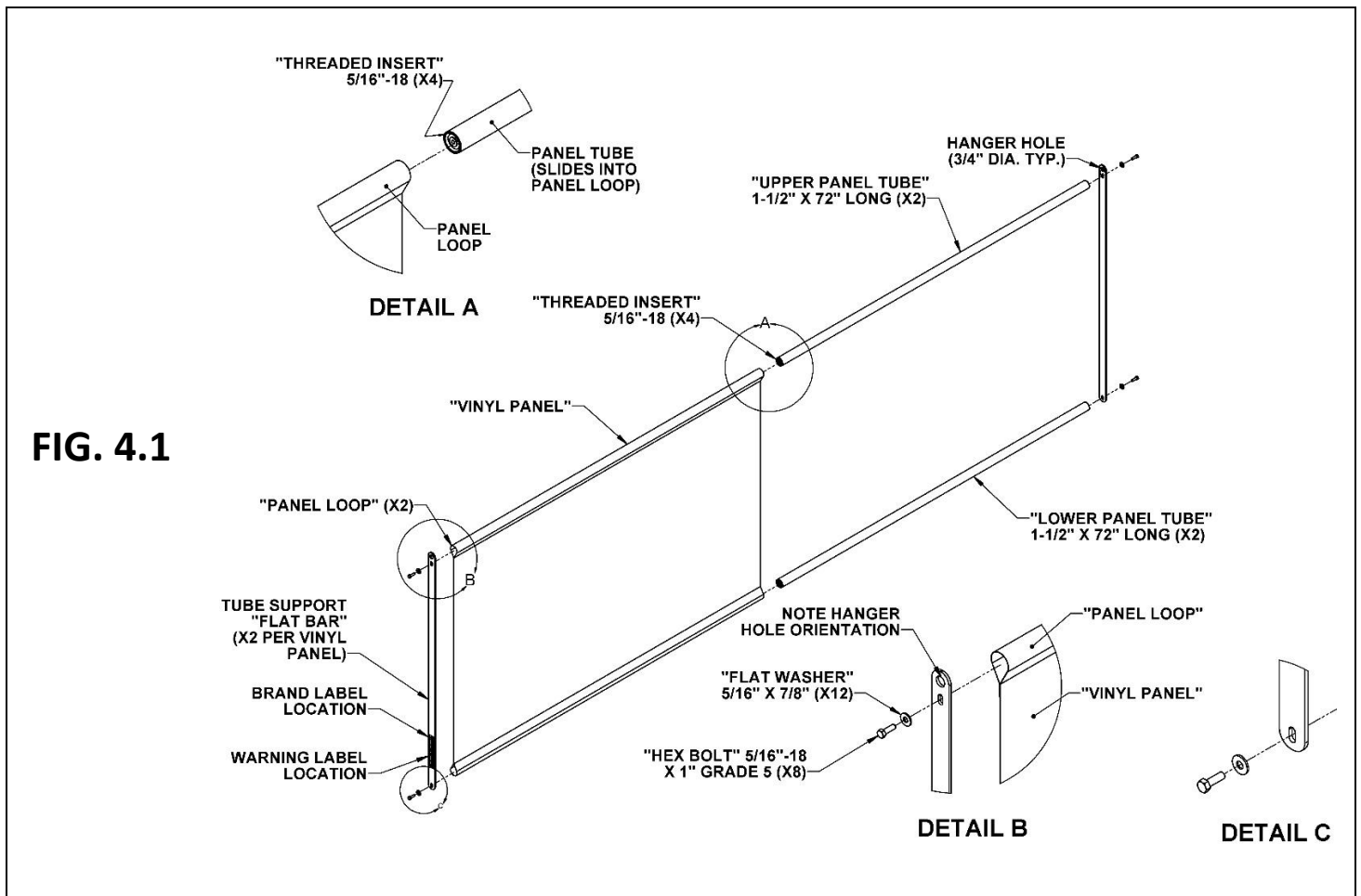
The hanging partition has warning and brand labels. Though always positioned on the flat bar (FIG. 3.1), labels may vary in placement, color, size, and written content. Note that labels face outward, away from vinyl panel.

- ⚠ Maintaining all labels in legible condition is required and is essential for safe operation. For replacement copies, call 1-800-258-8503.



4. ASSEMBLE PANEL FRAME

- 4.1. The panel tubes and vinyl panel come in a standard width of 72". If trimming is needed to obtain a narrower width, refer to 'SECTION 6' and complete steps 6.2 through 6.6 before proceeding to next steps.
- 4.2. Insert one panel tube into the upper panel loop and one into the lower panel loop (FIG. 4.1). Ensure tubes are inserted until flush with the ends of the panel loops.
- 4.3. Bolt panel tubes to tube support flat bars using 4-each 5/16"-18 x 1" hex bolts and 4-each flat washers.
 - 4.3.1. Note the flat bar orientation. The end with the 3/4" diameter hanger hole goes to the top (where hanging/mounting hardware attach), and the labels should be facing outward, away from vinyl panel (FIG. 4.1).
 - 4.3.2. For assembled view and label orientation, see FIG. 4.2.

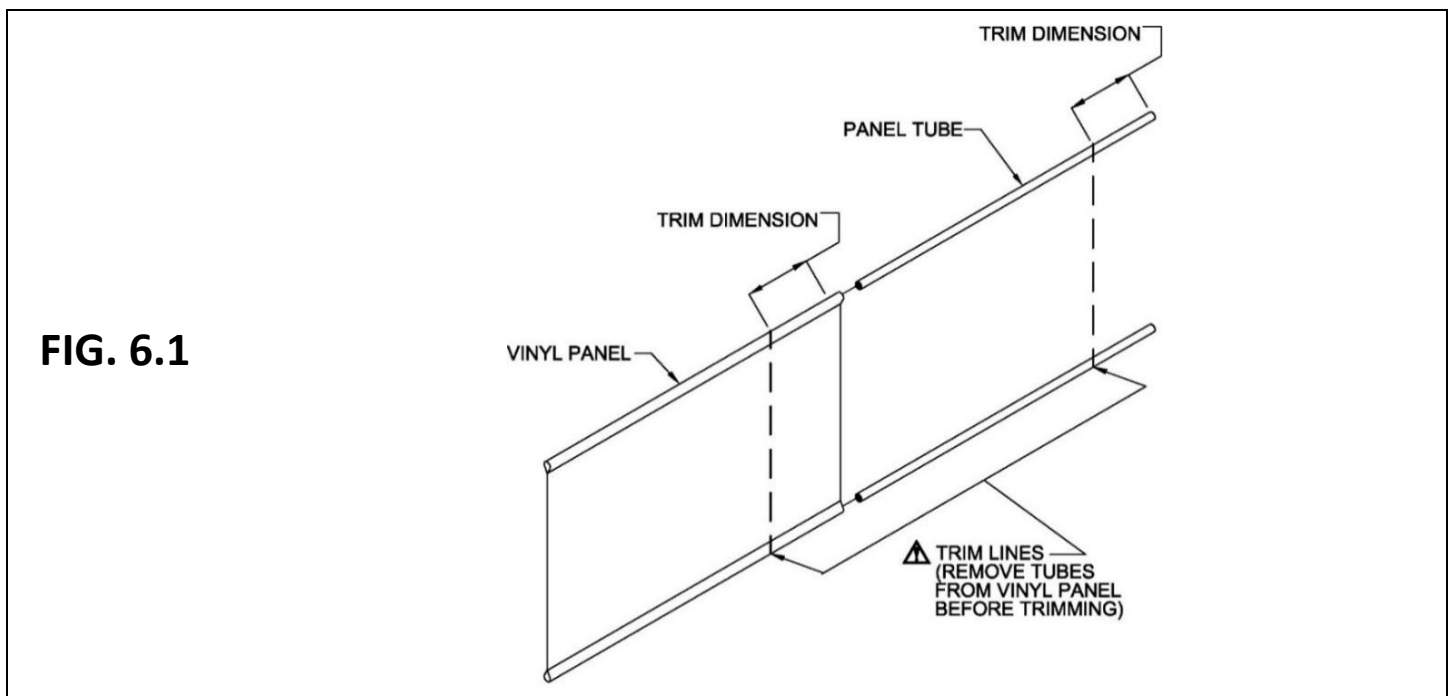


5. ATTACH HANGING PARTITION

- 5.1. Ensure that the 3/4" diameter hanger holes (FIG. 4.1) are oriented on the top.
- 5.2. The hanging partition is typically hung parallel to the ground plane; use a level if leveling is required for your installation.
- 5.3. Utilize both hanger holes to attach hanging partition with your chosen mounting/hanging hardware.
 - ▲ Ensure that the mounting location is substantial, of sound construction, is capable of securely holding a minimum of 200 pounds plus hanging hardware, and does not allow injury to persons or property. Consult with a professional contractor if you need assistance or additional information.
 - ▲ Ensure hanging partition is securely attached utilizing both hanger holes and that it stays attached during use. A misused or unattached hanging partition can fall and cause serious injury or death.
 - ▲ Because applications vary, hanging hardware is not included. An incorrectly attached hanging partition can fall and cause property damage and injury or death. Professional installation is required.
 - ▲ Do not use to support, attach, or hang planters, lights, decorations, clothing, fabrics, or other furnishings.
 - ▲ Do not play on, lean on, hang on, or bump body parts against the hanging partition.
 - ▲ Hanging cords, chains, cables, etc. can cause injury or death. Install hanging partition hardware in such a manner that it does not cause injury to persons or property. Consult with a professional contractor if you need assistance or additional information.
 - ▲ Ensure hanging partition does not impede safety, security, or environmental systems.
 - ▲ Consult with a professional contractor or your Authority Having Jurisdiction (AHJ) if you have any questions.

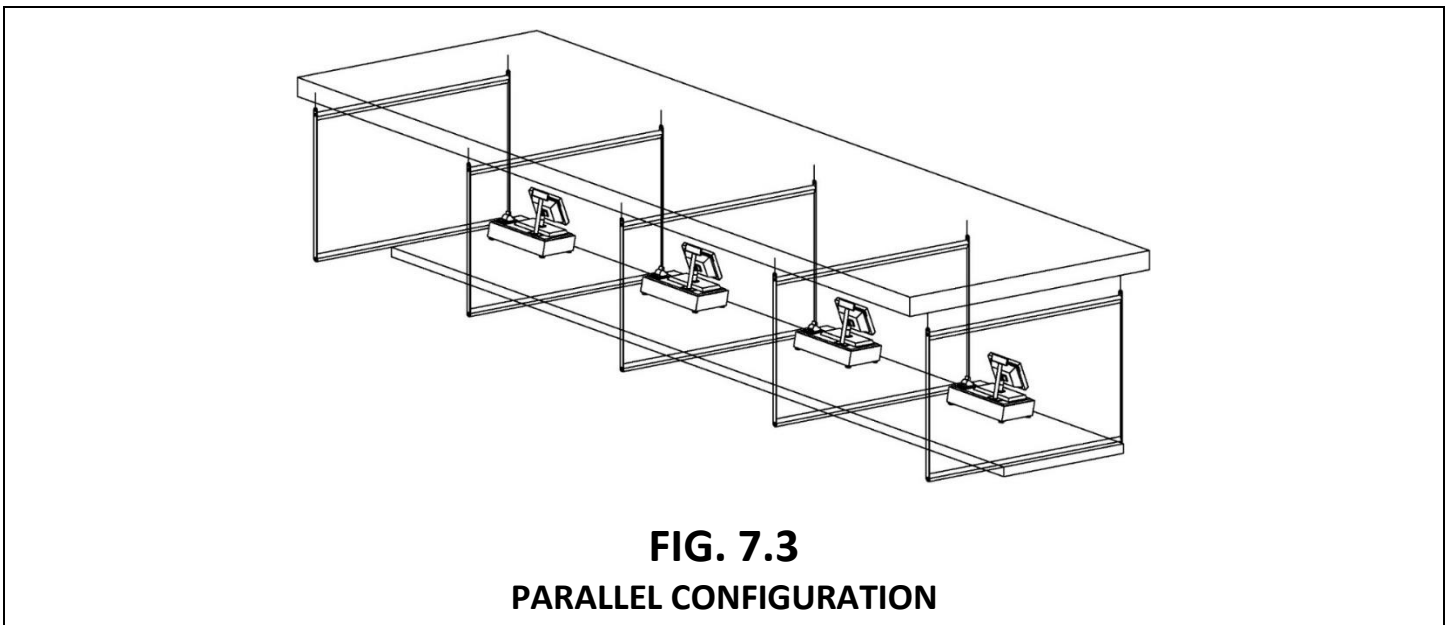
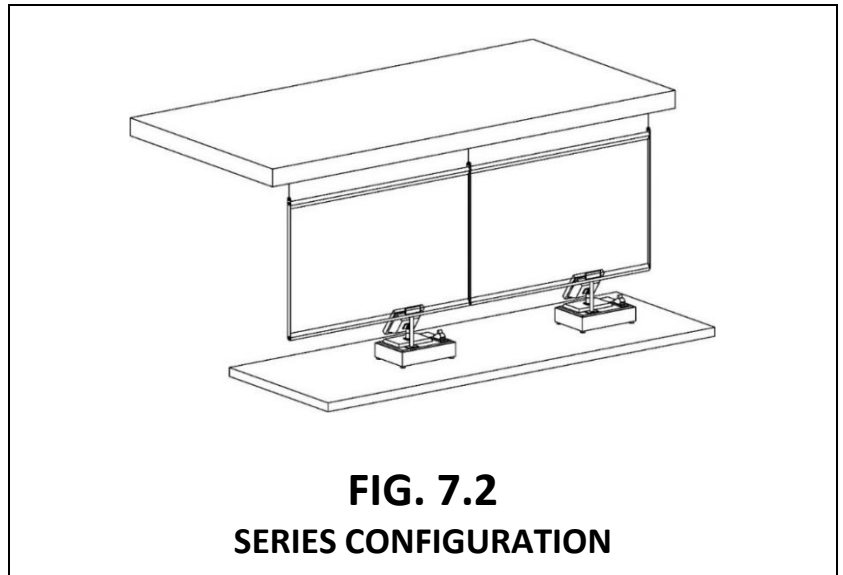
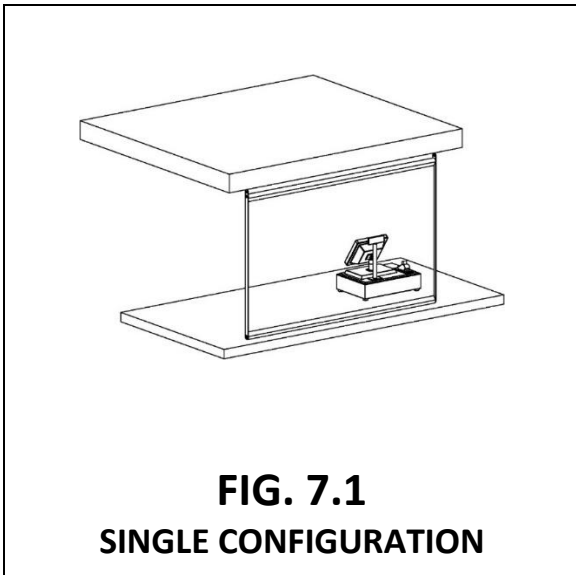
6. TRIM/CUT PANEL WIDTHS

- 6.1. The panel tubes and vinyl panel come in a standard width of 72". If trimming is needed to obtain a narrower width, the panel tubes and vinyl panel can be cut to the desired width (FIG. 6.1).
- 6.2. If assembled, disassemble the panel frame and remove panel tubes from vinyl panel.
 - ▲ Do not trim while partition is assembled; always disassemble before trimming.
- 6.3. Lay vinyl panel flat on a surface that will not be harmed by your chosen trimming process.
 - 6.3.1. Mark and trim vinyl as needed.
- 6.4. Mark and cut panel tubes as needed.
 - 6.4.1. Using a metal file, remove any sharp edges from cut tubes.
- 6.5. Insert a provided threaded insert into the cut end of each tube. Use a rubber mallet to fully seat.
- 6.6. Reassemble panel frame (refer to 'SECTION 4' and complete steps 4.2 and 4.3).
 - ▲ When reassembling after trimming, ensure labels are facing outward, away from vinyl panel (FIG. 4.2).



7. VARIOUS CONFIGURATIONS

The hanging partition can be used in many configurations. For reference only, FIGs 7.1 through 7.3 show a sampling of possible arrangements.



8. CARE AND MAINTENANCE

- 8.1. Before each use, check the hanging partition for worn, loose, missing, unstable, or damaged parts. If you find any of these conditions, do not use.
- 8.2. Store the hanging partition in a cool, dry place when not in use.
- 8.3. If disassembling panel frame, roll vinyl panel for storage; do not fold.
- 8.4. For cleaning clear vinyl, use a mild vinyl cleaner, following cleaner's instructions.
 - 8.4.1. Alternately, a solution of mild neutral soap mixed with lukewarm water can be applied using a soft cotton or microfiber cloth. Thoroughly rinse the soapy solution with fresh, lukewarm water and dry using a microfiber cloth or air dry.
 - 🖐️ Due to the clear vinyl's pliable nature, it can easily be scratched; care needs to be exercised when working with the material.
 - 🖐️ Do not use harsh detergents.
 - 🖐️ Do no rub clear vinyl when dry as this will scratch and dull the surface.