



TILT® Toilet Incline Lift Technical Specifications

TECHNICAL INFO

	AC (CORDED POWER)	DC (BATTERY POWER)
APPLICATION:	Residential	
FUNCTION:	Toileting aid that lifts and lowers users on/off a commode	
U.S. PATENT:	6,385,797	
MOUNTING:	Bolts to toilet (original seat removed)	<ul style="list-style-type: none"> - Bolts to toilet (original seat removed) - Battery and control box mount to wall
WEIGHT:	34 lbs.	37.5 lbs.
WEIGHT CAPACITY:	325 lbs.	
OPERATION:	Hardwired, push button hand control w/coil cord (cord extends up to approximately 9')	
POWER REQUIREMENTS:	Input: 120 VAC 60 Hz @ 2.6 amps	<ul style="list-style-type: none"> - Charger Input: 120 VAC @ .5amps - Motor: 24 VDC - Battery: 24 VDC, 2.9 Ah
BATTERY CHARGE TIME:	N/A	5 – 6 hours (approx. for discharged battery)
BATTERY LONGEVITY:	N/A	20 cycles per charge (approx.)
CYCLE:	One cycle = one raise and one lower; 15-20 seconds to complete one cycle	
UNIT DIMS:	24" W x 18" H x 24" D (approx., including actuator)	
BATTERY & MOUNT DIMS:	NA	5" W x 16" H x 3" D (approx. footprint)
POWER CORD LENGTH:	10' (approx.)	3' 4" (approx.)
CHARGING CORD LENGTH:	NA	6' 5" (approx.)
FRAME MATERIAL/FINISH:	Powder coated steel	
WARRANTY:	2-Year Limited (please visit www.ezaccess.com for complete warranty details).	2-Year Limited on product; 1-Year limited on battery (please visit www.ezaccess.com for complete warranty details).
RETURNS:	For hygienic reasons, this item is non-returnable if packaging bag is opened or altered	

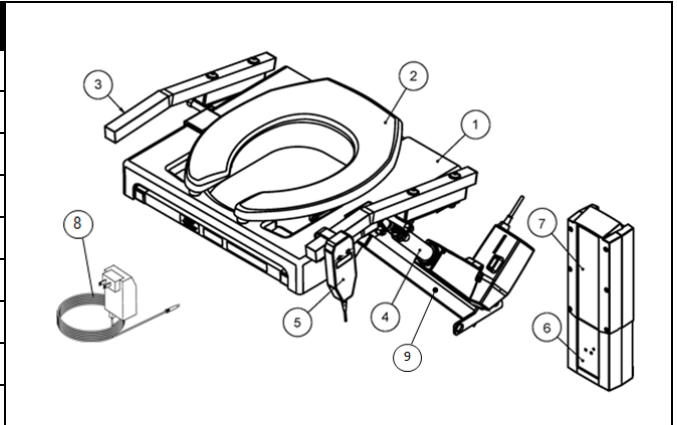
IMPORTANT: The weights and dimensions shown throughout this document are intended for reference only. They are approximate and subject to change. Please consult EZ-ACCESS for certified drawings. Refer to instruction manual for complete information on rated load and proper usage.



TILT® Toilet Incline Lift Technical Specifications

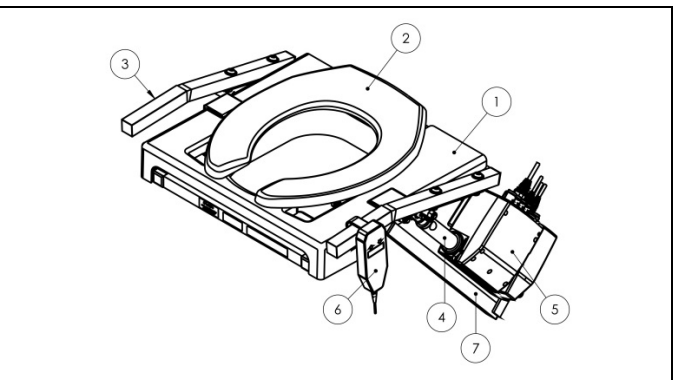
BATTERY POWER

REF #	DESCRIPTION
1	PLASTIC SHIELD – REMOVABLE
2	TOILET SEAT – STANDARD SEAT SHOWN
3	HANDLES WITH FOAM GRIP
4	ACTUATOR (MOTOR) – MOUNTED TO TILT FRAME
5	HANDHELD CONTROL – PUSH BUTTON DEVICE
6	DC CONTROL BOX – ATTACHES TO MOUNTING BRACKET
7	BATTERY – ATTACHES TO MOUNTING BRACKET
8	AC INPUT, DC BATTERY CHARGER
9	ACTUATOR MOUNT



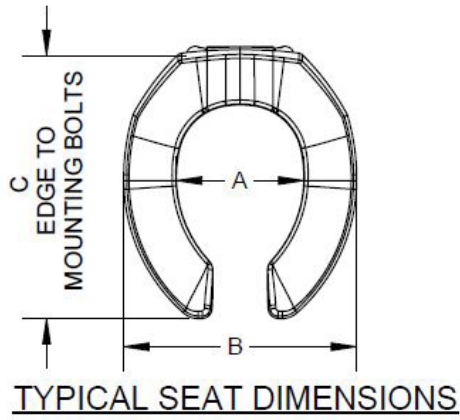
CORDED POWER

REF #	DESCRIPTION
1	PLASTIC SHIELD – REMOVABLE
2	TOILET SEAT – STANDARD SEAT SHOWN
3	HANDLES WITH FOAM GRIP
4	ACTUATOR (MOTOR) – MOUNTED TO TILT FRAME
5	120V AC CONTROL BOX
6	HANDHELD CONTROL – PUSH BUTTON DEVICE
7	ACTUATOR MOUNT

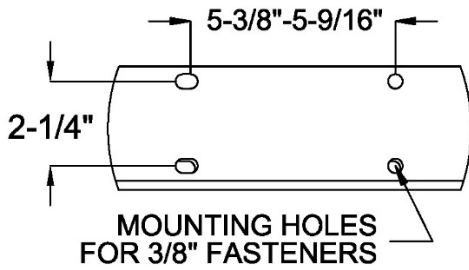


TOILET SEAT

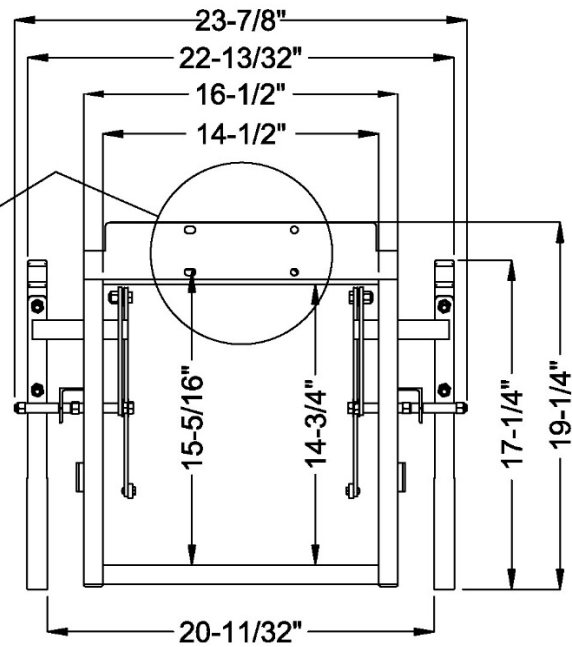
	STANDARD	ELONGATED
STYLE:	Round/open front	Elongated/open front
MATERIAL/COLOR:	Injection molded plastic/white	Injection molded plastic/white
RUBBER BUMPERS:	2	2
MOLDED BUMPERS:	2	4
HINGES:	Plastic, non-self-sustaining	Plastic, non-self-sustaining
POSTS & PINTLES:	Non-corrosive 300 series stainless steel	Non-corrosive 300 series stainless steel



	Standard Seat	Elongated Seat
A	7 3/4"	7 13/16"
B	14 1/4"	14 1/4"
C	16 3/16"	18 3/8"



**MOUNTING
DETAIL**



**TOP VIEW
(FRAME ONLY)**

MOUNTING DETAIL



TILT® Toilet Incline Lift Technical Specifications

