



ORBIT® Patient Transfer Lift Technical Specifications

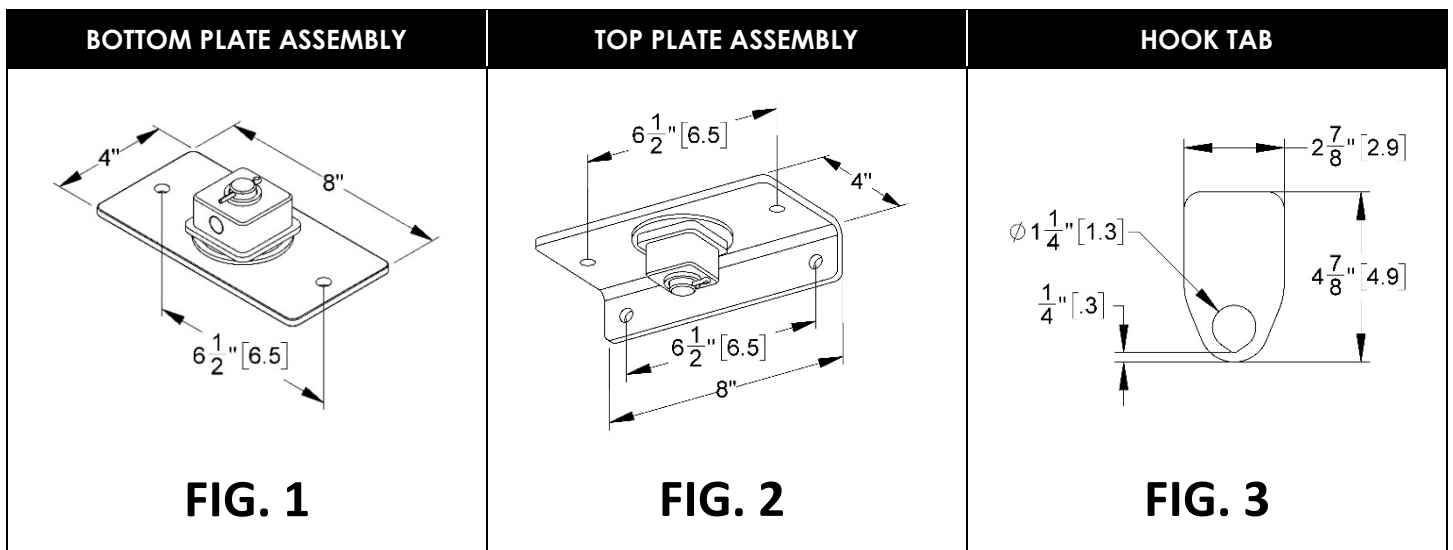
TECHNICAL INFO

APPLICATION	Residential & Institutional
OPERATION	Lifting, transferring, and lowering users to and from specific, pre-identified locations
U.S. PATENT	Patent 10,251,800
MOUNTING	Anchor to: (1) wall and floor; (2) ceiling and floor; or (3) ceiling, wall, and floor
MOUNTING BOLT SIZE	7/16" diameter (length depends upon your specific mounting construction and installation hardware)
CONTROL	Hand push and pull
MATERIAL & FINISH	Corrosion-resistant powder coated steel
WARRANTY	5-Year Limited (please visit www.ezaccess.com for complete warranty details)

WEIGHTS & DIMENSIONS

DESCRIPTION	ORBIT 7-9'	ORBIT 8-12'
STANCHION WEIGHT	69.8 lbs.	76.5 lbs.
5' ARTICULATING ARM WEIGHT	43 lbs.	
TOTAL WEIGHT	112.8 lbs.	119.5 lbs.
CEILING HEIGHT RANGE	7'-9'	8'-12'
RATED LOAD	440 lbs.	

MOUNTING DIMENSIONS



IMPORTANT: The weights and dimensions shown throughout this document are intended for reference only; they are approximate and subject to change. Please consult EZ-ACCESS for certified drawings. Refer to instruction manual for complete information on rated load and proper usage.

5' ARTICULATING ARM w/ 7-9' STANCHION – SIDE VIEW

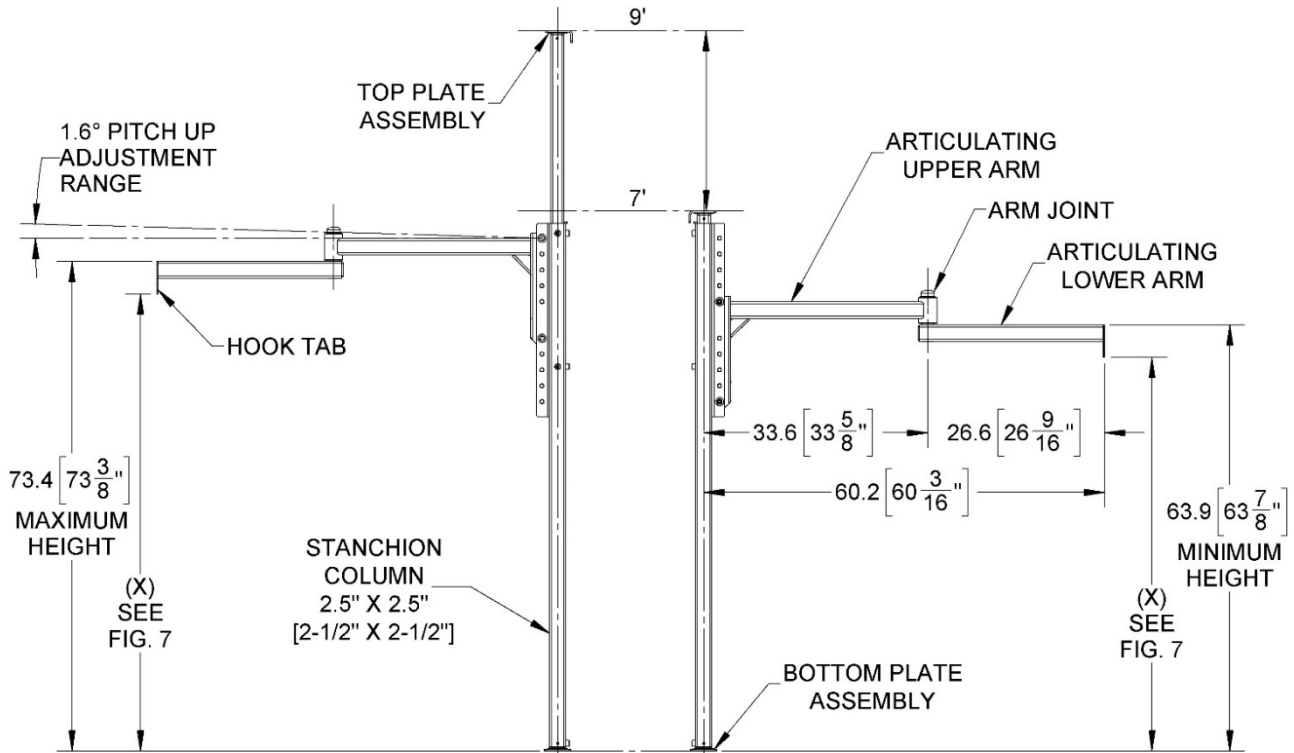


FIG. 4

ARM POSITION	HOOK TAB TO FLOOR ¹	ARM JOINT TO FLOOR ²	LOWER ARM TO FLOOR ³	SWIVEL HOOK TO FLOOR ⁴
TOP	68.6"	78.3"	73.4"	63"
UPPER MID	66.2"	75.9"	71"	60.6"
MIDDLE	63.8"	73.6"	68.7"	58.25"
LOWER MID	61.4"	71.2"	66.3"	55.9"
BOTTOM	59.1"	68.8"	63.9"	53.5"

All measurements with 0° of arm pitch.

¹ Measured from bottom of opening.

² Measured from top of arm joint to floor.

³ Measured from top of articulating lower arm.

⁴ Measured from inside bottom of swivel hook.

5' ARTICULATING ARM w/ 8-12' STANCHION – SIDE VIEW

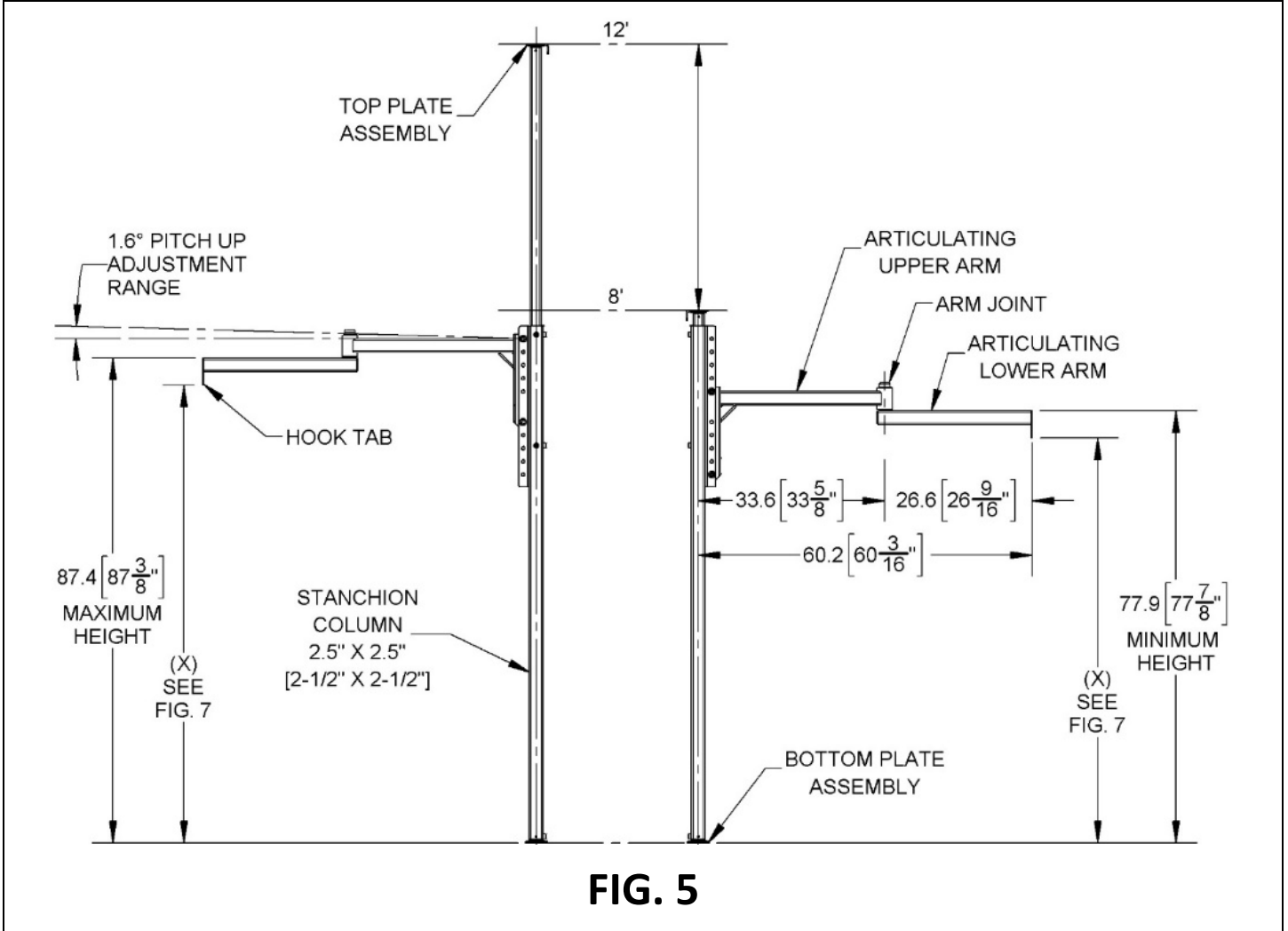


FIG. 5

ARM POSITION	HOOK TAB TO FLOOR ¹	ARM JOINT TO FLOOR ²	LOWER ARM TO FLOOR ³	SWIVEL HOOK TO FLOOR ⁴
TOP	82.6"	92.3"	87.4"	77"
UPPER MID	80.2"	89.9"	85"	74.6"
MIDDLE	77.8"	87.6"	82.7"	72.25"
LOWER MID	75.4"	85.2"	80.3"	69.9"
BOTTOM	73.1"	82.8"	77.9"	67.5"

All measurements with 0° of arm pitch.

¹ Measured from bottom of opening.

² Measured from top of arm joint to floor.

³ Measured from top of articulating lower arm.

⁴ Measured from inside bottom of swivel hook.

REACH AND RANGE

ARTICULATING ARM w/ ALL STANCHIONS – TOP VIEW

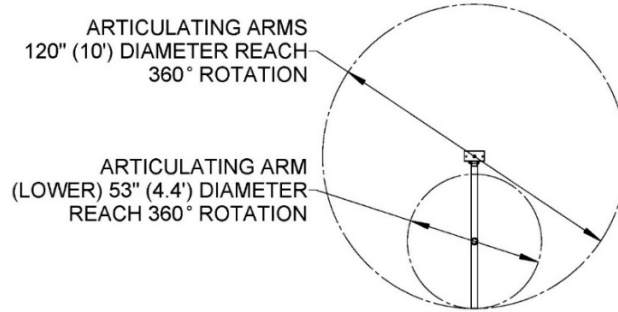


FIG. 6

LIFT ZONE HEIGHT CALCULATION

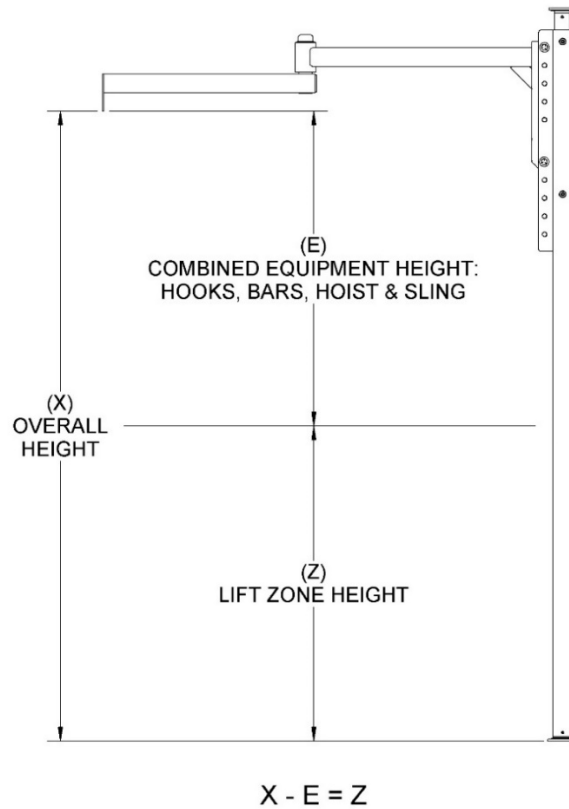


FIG. 7



ORBIT® Patient Transfer Lift Technical Specifications

SWIVEL HOOK (OPTIONAL EQUIPMENT)

PART NO.	ORBIT SH
WEIGHT CAPACITY	440 lbs.
APPLICATION	For lifting
SWIVEL TYPE	Sealed Ball bearing
SWIVEL ROTATION	360°

